

# PENASCO VALLEY NEWS

Travel Highway 83 Through Artesia, AND HOPE PRESS Hope, Elk, Mayhill and Cloudcroft

Vol. 21, No. 39

Hope, Eddy County, New Mexico

Friday, Jan. 6, 1950

## Santa Fe Official Issues Statement on Freight Rates

Pointing out that the Santa Fe has a natural interest in the industrial development of New Mexico and stating a willingness to sit down across the table and discuss any specific rates which are thought to be out of line, G. C. Lyman, general freight and passenger agent for the Santa Fe at Albuquerque, today issued the first statement for the railroad regarding the freight rate structure in the state of New Mexico.

"In the past few months much has been said by a few people in criticism of the freight rate structure in the state," Lyman said. "Up until now in conformity with its policy, Santa Fe thought it unwise to engage in newspaper discussion about the accusations out continued to deal with its shippers and with the duly constituted regulatory authorities, including the New Mexico State Corporation Commission, in regard to rate problems.

"Since the attack continues unabated, with little consideration of the facts, we believe the situation should be clarified and the position of the Santa Fe publicly stated," Lyman explained.

"We fear no investigation of our rates in New Mexico, in fact they have always been under the watchful jurisdiction of the Interstate Commerce Commission and the New Mexico State Corporation Commission and must be competitive with rates of other forms of transportation. Santa Fe has no monopoly on the transportation of commodities from, to or within New Mexico. We decry attempts made by a few to inflame public sentiment against the railroad industry in the state in order to justify another state bureau, to be maintained at the expense of the taxpayers, including the railway company, for a needless purpose. Freight rates should not be a political football," Lyman said.

"Cooperation with shippers and receivers has always been the position of the Santa Fe in the state of New Mexico as in other states served by our line," Lyman pointed out. "Never have we been unwilling to consider the revision of rates at the request of any shipper or receiver.

"There are a number of commodities produced in New Mexico in considerable volume, such as forest products, agricultural products, ore, potash, pumice and other minerals and livestock and wool. On all of these commodity rates were established in full cooperation with the shippers and it is significant that these industries have prospered under these rates," Lyman said.

"It has been the policy of the Santa Fe for years on general class and commodity rate adjustments prescribed by the ICC from and to West Texas, to extend the same relative bases of rates to that part of New Mexico extending on and east of the Santa Fe's line from the New Mexico-Colorado border south to the New Mexico-Texas border and this has been voluntary on the part of the Santa Fe," Lyman pointed out. "We have followed this same policy in connection with other rate adjustments on widely distributed commodities where voluntarily adjustments have been made into the Southwest. All of this has been done with the view of giving this part of New Mexico the same relative basis of rates as in effect from and to West Texas and without any expense to the people of New Mexico.

"The class rates from and to the territory west of Albuquerque and Belen are combinations of class rates over Albuquerque and Belen. When we voluntarily extended the interim class rates prescribed by the ICC into Albuquerque, Belen and other central and eastern New Mexico points, the Santa Fe did not grade those rates into the territory west thereof because the class rate levels throughout the west were to be formulated permanently by the ICC and there was very little traffic moving on them. These rates will be revised as the permanent class rate adjustments are made."

Class rates are rates which apply to movements of freight which do not move regularly and have no specific published commodity rates and traffic moving under those rates represents a very small percentage of the business.

"From and to the territory west of Rincon class rates are made by grading such rates up from Rincon or El Paso, whichever makes the lower rate.

Santa Fe has never had a complaint about these rates being unreasonable," Lyman said.

"Commodity rates on the principal commodities have also been published in these two territories," Lyman added.

Lyman pointed out "that all freight rates are not perfect and that Santa Fe makes no claim that they are. Rates are constantly being adjusted on requests from Santa Fe patrons, as well as when we ourselves find that maladjustments exist. Rates may be found in tariffs which seem high, both in New Mexico and elsewhere, but generally these are rates which conceivably would never move any traffic regardless of their volume—in other words they are merely 'paper rates.'"

"The Santa Fe is an integral part of the state of New Mexico and has always enjoyed a pleasant and cooperative relationship with shippers and receivers of freight in New Mexico in all matters of rail transportation, including rate adjustments. We hope that this relationship has not been disrupted and we deplore attempts to do it.

"We are constantly exploring possibilities for the growth of traffic which we fully realize cannot be accomplished through unsound or inequitable transportation costs. We believe we have extended to New Mexico freight rates which to every reasonable extent permit marketing its natural resources in competition with areas in other parts of the country producing the same commodities," Lyman concluded.

## \$100.00 Reward For Evidence

Gentlemen: I notice on your front page of the Dec. 30th issue, that the Hope people are offering a reward of \$75 for the arrest and CONVICTION of the person distributing poison around Hope. As I am a great lover of dogs and a greater lover of children, who might pick up some of this poison and die from the effects thereof; and as I consider the person who would poison a dog as being about as low as they can get; I wish to add \$25 to the reward for the arrest and conviction of that person.

(The above letter came from Artesia. The writer requested that his name be withheld from publication).

## School News

Freshman News—Ella Sue Nunnelee and Oleta Melton attended a party in Artesia Friday night. Ella Sue visited friends in Tatum Sunday. Eula Marie Cox spent the Christmas holidays in El Paso with relatives and also had some dental work done. J. C. Blakeney spent the Christmas holidays in Florence, Ariz., with relatives. Carol Munson spent the Christmas holidays in Albuquerque and El Paso.

Sixth, Seventh and Eighth Grade News—There are two new eighth graders in school now, a boy and a girl. Their names are Bonnie and Bill Brown. Everyone had a very enjoyable vacation, we think. Quite a few of the pupils went caroling Christmas Eve. Sue Ray Summers cut her foot and has to walk on crutches. John and Ron Harris were absent from school Monday and so were other pupils that rode the bus. They missed the bus because they thought it was a holiday.

Third, Fourth and Fifth Grade News—We are glad to have Betty Lou Brown from Portales in our fourth grade. Each pupil returned full of Christmas thrills and each one told what he received for Christmas. We have a new prayer chart on our wall and we are memorizing the first Psalm. Alice Wilkinson spent Christmas in Carlsbad. Patsy Young spent part of her vacation visiting her grandparents. Mr. and Mrs. Tom Young and Mr. and Mrs. Alec Young in Tucson, Ariz. Patsy and Phyllis Bush spent their vacation in Arizona. Barbara Seeley fell from a horse and skinned her nose.

"Soft-Hearted Hardin" . . . Wes Hardin was a religious man — even taught Sunday school. Yet, he killed 35 men — 15 of them before he was 19. Jails couldn't hold him . . . then he met his match in Capt. John Armstrong, the greatest of the rangers! Don't miss his thrilling story in The American Weekly, that great magazine distributed with next Sunday's Los Angeles Examiner.

Mr. and Mrs. A. L. Seeley of Las Vegas, spent several days last week with their son, R. W. Seeley and family.

## High School to Sponsor Carnival

The students of Hope High School will give a carnival in the gymnasium Wednesday night at 7:30 o'clock. This carnival is being sponsored to raise money to buy the high school basketball team new playing suit.

The entire student body is planning an excellent program and we urge all the people in our community to come out and help support the worthy cause. If you are unable to attend and feel you would like to donate whatever amount it may be on the new suits—we will be glad to take all donations.

There will be bingo game, penny pitch stands, athletic shows, such as boxing and wrestling and many other types of entertainment for both young and old.

## Miles Plans to Enter Race for Governor

John E. Miles announced his candidacy this week for nomination as governor in the Democratic primary next June.

Now serving as one of New Mexico's two congressmen, Mr. Miles was governor from 1938 to 1942 and later was elected state land commissioner for two terms. In his announcement this week he cited his experience in public office as one of his chief qualifications.



He conferred with friends from every section of the state before making his announcement. Mr. Miles has never been defeated for state office.

His statement to the press said: "I will be a candidate for nomination as governor of New Mexico in the Democratic primary next June. I believe that I can be of valuable service to the people of New Mexico by returning to that office.

"This decision is my own, though based on encouragement of hundreds of friends throughout the state and in all walks of life. I enter this race of my own free will and judgment, basing my candidacy on my record of prior public service.

"This announcement was delayed by my recent five-week trip to the Pacific on a congressional assignment and due to my desire to confer with as many of my fellow citizens here as possible. These discussions have been most encouraging.

"I look forward to returning to New Mexico and to the governor's office. My experience in Washington and the friends I have made there will be of great value.

"Unencumbered by any pledges of favoritism or patronage, I shall strive to serve as governor for the benefit of all the people and not for any so-called faction or factions.

"I believe that my experience in public office will prove vital in my conduct of state business as governor. I shall welcome the suggestions and advice of any citizens now and in the future."

Mr. and Mrs. Bryant Williams have returned home from Albuquerque where they visited Mr. and Mrs. Albert Black. Mrs. Finche and daughters returned with them to visit a few weeks before going on to San Antonio, Texas, where Mr. Finche will be stationed in the future.

FOR SALE—One folding bath tub; one kitchen sink. Inquire at News office at Hope.

Lawrence Blakeney is at Lovington on a business trip. Later, he returned home Tuesday.

## 54th Anniversary Is Celebrated

Mr. and Mrs. E. F. Harris celebrated their 54th wedding anniversary Jan. 1, 1950 at the home of Mr. and Mrs. Floyd Cole. A most delicious turkey dinner with all the trimmings was served the guests. Those present were Mr. and Mrs. Lyle Hunter and girls, Mr. Sam Hunter, Mr. and Mrs. Lee Payne, Mr. and Mrs. W. F. Carman, Mr. B. L. McElroy and children, Mr. and Mrs. Charlie Cole, Mr. Ezra Teel, Mrs. Janie Richards, Mrs. Hilda Teel, Mr. and Mrs. E. F. Harris and Ethel Harris and the host and hostess Mr. and Mrs. Floyd Cole.

## Weekly Letter From Hope

Here it is the first week in the new year. I wonder how many have made a mistake and written 1949 instead of 1950. Plenty I guess. As we predicted, politics warmed up with the announcement of John E. Miles for governor. Other candidates for state and county offices should be coming out in the open soon. The only county office that will have any competition is the sheriff's office. There is already a half a dozen said they were going to announce. The way the voters have it figured out is that the Westaway's in the assessors office, the Wilcox' in the recording office, the Thomas' in the county superintendent's office have all been doing a mighty good job, so why change them. Of course Mrs. Thelma Lusk as county treasurer will be a candidate again. She is entitled to a second term and will be re-elected.

I guess there are some folks in Hope who believe everything that is printed in the Hope paper. I understand that some persons swallowed that story about tow npolitics. We were shot on news last week, so we hatched up that story about a woman for mayor and a town board consisting of women. That might be all right to put the women in for two years. You will notice I said might. But to put all foolishness aside, we should have two tickets in the field to make things interesting. Along about the first of April, the town election takes place and it will do no harm to talk things over.

Have you heard the latest story? Well here it is. One of our prominent men was given permission by his wife to go to Artesia one day last week and play dominoes, etc. He played until about 9 o'clock and then started for home. He started up the main street headed west. He drove a few blocks when the fog got so dense he couldn't see a thing. The first thing he knew he bumped into a building. He backed up and turned to his left, and thought he was going down the street toward the locker plant. When the fog lifted, he was half way to Hope and as Hope was his destination he kept right on going. That's the first time that we have ever heard it blamed on to a fog.

The Hope Water Users Commissioners met Tuesday afternoon. The meeting was very peaceful.

We see where the soap makers of the United States agree on no advance in prices. We will have to check on this with our local soap-maker and see whether he was consulted on this or not.

## Cavern Travel Decreases in Dec.

Total number of visitors for the month of December 1949 was 17,752. Total number of visitors for the month of December 1948 was 20,899. Total number of cars for December 1949 was 5235. Number of visitors arriving by bus 538. Number of visitors arriving by cars 17,184. All-time number of visitors to Carlsbad Caverns to date 4,137,237.

## Commissioners Hold Meeting

The annual meeting of the Hope Water Users Commissioners was held Tuesday afternoon at the telephone office. Charlie Barley was elected president, Joe Clements, vice president and Ada Belle Trimble, secretary. The appointment of a Mayor dome was postponed until a later meeting.

## New Mexico Politics

It looks as though the folks in New Mexico may look forward to a hot political campaign in 1950.

U. S. Rep. John E. Miles, a former governor has announced he will again be a candidate for the Democratic nomination for chief executive of New Mexico.

It is practically certain that Miles will have two or three opponents for the nomination.

Former Gov. John J. Dempsey is a candidate to succeed Miles in Congress. Dempsey tried unsuccessfully to go to the Senate from New Mexico.

It is being rumored that Luther Sharpe of Artesia also will run for Congress.

The political strength of Miles is a source of wonder to quite a few men who think they are wise when it comes to politics.

The Times has watched him in public office for some time. He never has been defeated for any office he ran for. There must be a reason.

In the opinion of this newspaper the reason is that Miles never overlooks an opportunity to do a favor; he is careful to make as few enemies as possible and he remains loyal to his political friends.

As an out-of-state newspaper, The Times will not take an active part in New Mexico's Democratic primary, but this newspaper feels certain that John E. Miles will be a hard man to beat.—El Paso Times.

## News From Hope

Mrs. Tom Harrison returned home the first of the week from Fort Worth where she had been visiting relatives.

Next Wednesday night, Jan. 11, there will be a carnival at the Hope gym. There will be wrestling matches and boxing and plenty of other games to entertain everyone. The proceeds will go to buying new suits for the basketball boys. The people of this community should turn out for this event 100 per cent strong. It is a worthy cause.

Mr. and Mrs. Ralph Lea returned from Oklahoma last Wednesday night.

Mr. and Mrs. Ralph Lea spent Friday in Carlsbad with Mr. and Mrs. B. A. Marlar.

REMEMBER—Merit Feeds get best results. McCaw Hatchery, 13th and Grand, Artesia. 6-10-49

Rev. Drew and wife from Artesia were in Hope Tuesday visiting friends. They brought the editor a picture of a winter scene taken last January in our back yard. The trees and bushes were covered with frost and snow and it sure is a beautiful picture. Thanks very much.

We have buyers for ranches west into Sacramento. Mrs. Also for sale, ranches in other sections of state and farms in the Pecos Valley. Dons' Real Estate, 314 Carter Bldg., Artesia, N. M. Phone 79.

Mrs. George Trimble and Mrs. R. L. Johnson brought little Martha Trimble down from Ruidoso Dec. 30 to visit with Ada Belle Trimble. On Dec. 31, the young lady celebrated her fourth birthday.

Mr. Gordon of Lubbock, representing the poultry department of Swift & Co., was here Tuesday calling at the Bryant Williams turkey farm.

DR. SALISBURY—Nation wide poultry service, McCaw Hatchery, 13th and Grand, Artesia. 6-10-49

Mrs. Albert Bursey of Canutillo, Texas, left Tuesday for her home after a visit with the Blakeney families.

## Editorials---

We hope that the next session of the legislature will pass a law providing for a death penalty for anyone convicted of rape. Even when they are sentenced for life, they may be pardoned in a few years and when at liberty, might commit the same crime over again.

The report that came from John E. Miles' headquarters Saturday that he would run for the office of governor of New Mexico was welcome news to the people of Hope and the Penasco Valley. When one looks over the list of possible candidates that have been mentioned, Johnny Miles is head and shoulders above anyone else. The Penasco Valley News, along with 99 per cent of the voters in this precinct are for Mr. Miles and we are predicting a victory for him at the primaries in June.

WEEKLY NEWS ANALYSIS

# Huge Crop Surpluses May Bring On Widespread Federal Farm Controls; Three Pact Nations Unify Defense

(EDITOR'S NOTE: When opinions are expressed in these columns, they are those of Western Newspaper Union's news analysts and not necessarily of this newspaper.)

## CROP REPORT: Punitive Plenty

It was an ironical twist that American farmers, by producing in 1949 the second largest crop in all U.S. history, may have shackled themselves with broad government controls for years to come.

The year's harvest acreage was the largest since 1932 when depression-ridden farmers sought to offset declining prices by expanding production.

Except for bad weather during the growing season in some sections of the nation, the 1949 crop total might easily have set a new record. Even so, the harvest was so large that the U.S. department of agriculture felt called upon to invoke production controls of various kinds to reduce the volume next year. These controls probably would extend to cotton, peanuts, major types of tobacco, rice, potatoes and soybeans.

The agriculture department said the huge harvest was the result of uniformly large production of most crops, rather than record volumes of a few individual ones. Records were marked up only for rice, dry beans and peas.

The figures:  
Corn, three billion, 378 million bushels; livestock feed-grain, 126 million tons; vegetable oil-seeds; soybeans, flaxseed, peanuts, cotton-seed, 15.33 million tons; tobacco, two billion pounds; fruit production, nine million, 800 thousand tons.

Yields per acre were above average for most crops, although wheat, flaxseed and dry peas were notable exceptions. Nearly 163 million tons of the eight grains were harvested during the year.

## COMIC BOOKS: Get Lost Laugh

There may not be any laughs in current comic books—as so many psychologists, psychiatrists, educators and ministers have charged—But there was certainly more than an abdominal chuckle for the comic book entrepreneurs, themselves, in a spectacular respectability recently accorded their products.

For, as amazing as it may seem, the U. S. state department was to incorporate the comic book technique in its latest bid for the minds of non-Communist Asiatics.

WITH THEIR THEMES based on the lives of American heroes, 260,000 copies of the picture-series books had been scheduled for delivery early in January.

The books were to be sent to South Korea, Thailand, French Indo-China and Indonesia. The hope was that through hand-to-hand circulation information about the history and background of the United States would be spread widely in areas under strong Communist pressure but which, as yet, had not capitulated.

THE SERIES was to include 32-page books of the lives of George Washington, Thomas Jefferson, Walt Whitman, Abraham Lincoln, Andrew Carnegie, Jane Addams, Thomas A. Edison, and George Washington Carver.

Libraries and other agencies of the state department's public affairs division, already on the scene, would distribute the books at public showings of American documentary films and other such occasions. American libraries operate in all countries where the books are to be distributed.

## PANCAKE DAY: Idea Spreading

A familiar and popular event in some United States communities, unknown in many more, National Pancake day is beginning to catch on in many localities.

An ancient as far as international observance goes, the event has been observed elsewhere in the world for hundreds of years. No artificial "Johnny-come-lately" idea, the day has long been observed in Great Britain and many other countries in Europe—always on the day before Lent begins.

THE NEXT Pancake day falls on February 21, 1950, when here in the United States, some communities will mark the day in city-wide celebration, a sort of mid-winter fair at which everyone eats pancakes. In many other communities, church groups (frequently Episcopalians) have long observed the day with quiet breakfasts, luncheons and suppers—all of which feature pancakes.

## Raps Big Steel



Everett Kassarow, executive secretary of the CIO, tells a congressional committee that big steel's hiking the price of steel is a "scandalous situation" and asks the committee to investigate it. In the recent price raise, the steel industry said recent welfare and pension concessions to labor made the increase necessary.

## PACT DEFENSE: One Broad Pattern

Probably pointing the way toward a general North Atlantic pact policy, the United States, Great Britain and Canada have worked out procedures for practically a complete exchange of information concerning military weapons and fighting techniques each country develops.

THE OFFICIAL announcement to that effect was a guarded one, but defense department spokesmen said the three nations will pool all data on just about everything in the way of conventional weapons used by their respective fighting forces and together will study such advanced weapons as guided missiles. There was no indication of the atomic bomb in this "share-the-know-how" deal.

The goal, according to the announcement, was to make not only standard weapons interchangeable, but to draw on the incentive techniques of scientists and the "operational procedures" developed by military planners.

THE STEP, in any manner of speaking, was a prudent one if the democracies are convinced that among the best avenues of peace is one that leads to the ultimate in preparedness.

There is a most plausible school of thought among international diplomats, that if a consolidation of sufficient strength is mustered by the western powers, there need be no fear of World War III, no matter how much the Russians might desire one. For whatever else may be said of Russia's Stalin, he has never been branded as a complete idiot.

After Stalin, of course, anything might happen, for ambitious men oftentimes let their ambition cloud their vision to the extent that they can't see where they are going. Give such men enough power, and the war everyone fears might well be in the making.

## TOP 10 MEN: Rated Outstanding

More than 1,500 newspapermen had been called upon to choose, in their opinion, the 10 outstanding men of the world during 1949. At first blush that would appear to be a staggering assignment, but there is no newsman worthy the name who won't give you an opinion on anything at any time.

THE TEN "outstanding men of the year," as announced in the 1949 Year News Annual were:

Dr. Albert Schweitzer, religion; Dean Acheson, U. S. Secretary of state, statesmanship; Dr. Ralph Bunche, world peace; Dr. Charles Seymour, Yale university president, education; Walter Reuther, president of the CIO-UAW, labor; Jackie Robinson, Brooklyn Dodgers second baseman, sports; Serge Koussevitsky, Boston symphony orchestra, music; Arthur Miller, "Death of A Salesman," drama; Stanley Kramer, producer of the movie "Home of The Brave," movies; Milton Berle, radio and television.

CRITICS of these selections might charge that the selectors let the headlines of the year, rather than the gentlemen's accomplishments, get in their eyes when they made their choices.

## RUSSIA: Going to Sea

Tom Paine's phrase, "sunshine patriot," might well apply to any segment of the Russian army, since the Soviets have no warm water port for winter operations; but if the authoritative publication, Jane's Fighting Ships, was to be believed, the Russians must be planning to change all that.

ACCORDING to the article, Russia is building three 35,000-ton battleships equipped to fire radio-controlled aerial torpedoes. It said the Soviet navy also is speeding construction on a fleet of 1,000 submarines including a type "with a great range and a very high submerged speed."

How did Jane's penetrate the iron curtain to a degree necessary to glean that information?

The publication itself says merely that a "hitherto reliable source" relayed the report, and added that it passed along "with reserve . . . conflicting information in the informant's report" that one of the three battleships is still in the yards, but "two others of the same class are believed to be in commission." Jane's emphasized that it had "no substantiation of this report."

THE ARTICLE noted that the United States and Great Britain have only one battleship in service between them—and that is the U.S.S. Missouri. But, it added, "there are signs that new fleets are in the making."

Continuing, the article declared: "Warships are being designed not as improvements or developments of previous classes, but from first principles for a specific role of countering a potential enemy type. In the next few years we are likely to see . . . the atomic-bomber carrier, the guided-missile control vessel, the task-force command ship, the anti-submarine cruiser, rocket destroyers, fast, low-lying frigates and gas-turbine ships."

Which would indicate that the navy hasn't been as dormant as the air force might have liked it to appear in the unification rows in congress.

## HOUSING: For 'Forgotten'

According to an impression prevalent in the capital, President Truman intends to press congress for some action to spur construction of medium-priced housing.

And, as must have been inevitable, the "forgotten man" was again brought into the picture. The capital sources mentioned that Mr. Truman's administration would recommend that this housing be designed to help the so-called "forgotten man" in housing—the middle-income worker of the nation—to own his own home or get better rental accommodations.

IF ANYTHING can be done in that respect, the "forgotten man" would surely be most grateful—but the manner in which the housing problem has been kicked around in Washington could be blamed if the "forgotten man" adopted an attitude of "I'll believe it when I see it."

The new housing program, according to reports, will be on the "must" list of early consideration by the lawmakers, but that "must" isn't as formidable as it sounds, for most Americans will remember that Mr. Truman was unable to get any action on a lot of "must" legislation in the first session of the 81st congress.

However, no one could be ruled out for trying, and if any successful housing venture should result, there would probably be an air of forgiveness all 'round.

THE LEGISLATION which the President is reported as ready to sponsor is said to rely mainly on private industry to do the job.

## Talks for Hiss

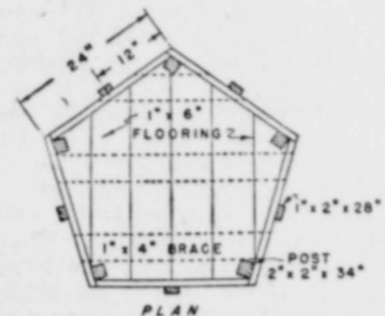
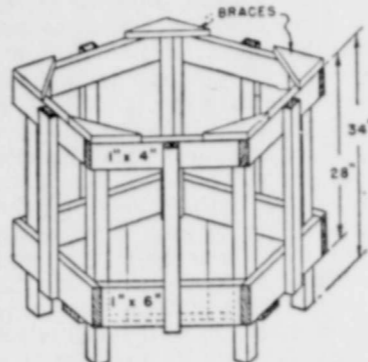


Francis B. Sayre, former U. S. assistant secretary of state, testified that Alger Hiss, former state department attache who is on trial for perjury in connection with stolen secret documents, had a "very good" reputation for integrity and veracity in 1938 when Hiss was Sayre's "right hand man."



## Easily Built Trough Will Aid Sheepmen Designed to Cut Labor, Lumber, Space and Feed

An easily built grain or hay trough has proved to be a problem for many sheep growers, but this trough designed by H. M. Briggs, department of animal husbandry,



This trough will save lumber, space and feed for the sheep grower.

Oklahoma agricultural experiment station, will provide the answer to that problem in many cases.

The trough shown in these drawings is intended for mature sheep and will save labor, lumber, space and feed.

As the drawings show, the trough can be built easily by any farm handy-man, if the plan is followed strictly. It should be noted that the trough has its own floor.

If yearling rams are to be fed, the material should be slightly heavier than is shown in the plan.

The center of the pen, according to Briggs, is the most desirable location for this trough. Or several can be placed in a lot or pen. If the trough is placed on a dirt floor or lot, dig a shallow hole under each leg so the trough cannot be pushed about. In a bedded pen, the legs will anchor in the bedding. The trough can be cleaned easily by tipping it up.

## Wings for 'Wingless'



Wings for a wingless chicken are provided here by airline stewardess Marilyn Crawford. She is shown holding her very own "wings" to one of Peter Bauman's famed "wingless" chickens, which Bauman is holding in the photo. Four of the chickens were shipped by air to Olean, N. Y., for breeding.

## Caution Urged In Use Of Chemicals, Sprays

Dust sprays, gasses and other insecticides will do much to promote the healthy growth of fruits and vegetables is the gist of instruction being passed out now by county agents over the nation.

However, these can often have just the opposite effect on people. Even though the container may not bear the skull and crossbones label, caution is necessary since many substances are harmful in some ways to man, despite the fact that they may not be definitely poisonous.

The whole story of safety in use of insecticides, it was pointed out, is simply precaution.

## CLASSIFIED DEPARTMENT

### FARMS AND RANCHES

700 A. mts. cattle ranch, cuts 200 tons hay, grade A dairy setup. Elec., phone, open road, close to town. Old water rights. Box 18, Malta, Colorado.

### HELP WANTED—MEN

SELL the new spiral blades for hacksaws. Huge profits, sold 75,000 in Los Angeles first 30 days. Hunter Tool Co., Los Angeles 35, Calif.

### INSTRUCTION

Learn Watchmaking, a dignified, profitable profession. Complete course with necessary tools available under the G.I. Bill. American Academy, Inc., Room 479, 1549 Lawrence Street, Denver 2, Colo.

## Buy U.S. Savings Bonds!

Helps keep me on my feet!



say many old folks about good tasting SCOTT'S EMULSION

Thousands of happy folks know this! Good-tasting Scott's Emulsion helps you ward off colds—helps you get well faster—and helps you keep going strong when your diet needs more natural A&D Vitamins! Scott's is HIGH ENERGY FOOD TONIC—rich in natural A&D Vitamins and energy-building natural oil. Try it! See how well you feel. Easy to take and digest. Economical. Buy today at your drug store!

MORE than just a tonic—it's powerful nourishment!

SCOTT'S EMULSION HIGH ENERGY TONIC

## 7 DAYS WILL DO IT



YES, in just 7 days . . . in one short week . . . a group of people who changed from their old dentifrices to Calox Tooth Powder averaged 38% brighter teeth by scientific test. Why not change to Calox yourself? Buy Calox today . . . so your teeth can start looking brighter tomorrow!

CALOX TOOTH POWDER  
McKesson & Robbins Inc., Bridgeport, Conn.

WNU—M 01—50

Fight Infantile Paralysis

JOIN THE MARCH OF DIMES

THE NATIONAL FOUNDATION FOR INFANTILE PARALYSIS



More deadly than the "A" Bomb. The Atom Bomb dropped in Nagasaki killed 23,753, wounded 40,464. According to National Safety Council figures, our own "A" Bomb (auto accidents) killed about 32,000 Americans, injured a million more in one year—1948. Are you driving so as to make your car a death trap?

# New Prices on LEASE TANKS

500 Gal. Propane Tanks **\$189.50**

Down Payment \$59.50

1000 Gal. Tanks **\$309.50**

Down Payment \$109.50

THESE PRICES ARE DELIVERED  
**TO YOU!**

Servel Gas Refrigerators  
Roper Ranges                      Space Heaters  
Water Heaters

Call or write and our Salesman will call on you

## Artesia Gas & Appliance COMPANY

Phone 304      Box 278      Artesia, N. Mexico

IN THE DISTRICT COURT OF  
EDDY COUNTY, STATE OF  
NEW MEXICO.

RUTH KANE,  
Plaintiff  
vs.  
EDWAR F. KANE,  
Defendant.

No. 11374

**NOTICE OF PENDING SUIT**  
THE STATE OF NEW MEXICO TO  
EDWARD F. KANE, GREETINGS:

You will take notice that there has been filed in the District Court of Eddy County, New Mexico, a civil action, Numbered 11374, on the docket of said Court, wherein RUTH KANE is Plaintiff and you, EDWARD F. KANE, are Defendant; that the purpose of said suit is to obtain a divorce and restore to the Plaintiff the name of Ruth Porter Stamp, and unless you appear, answer or defend herein on or before February 4, 1950, the Plaintiff will apply to the Court for the relief prayed for in her Complaint filed herein and Judgment will be rendered against you in said cause.

The address of the Plaintiff is Carlsbad, New Mexico and J. S. McCall, of Carlsbad, New Mexico, is attorney for the Plaintiff.

IN WITNESS WHEREOF, I have hereunto placed my hand and affixed my official seal, this 8th day of De-

ember, 1949.  
(SEAL) Marguerite E. Waller,  
District Court Clerk.  
By: Blanche G. Hegg, Deputy.  
Dec. 16-23-30-Jan. 6

**YOUR EYES  
ARE IMPORTANT**  
Consult  
**Dr. Edward Stone**  
Artesia, N. M.

**Artesia Credit Bureau**  
DAILY COMMERCIAL  
REPORTS AND  
CREDIT INFORMATION

Office 307 1-2 Main St.  
Phone 37  
ARTESIA, NEW MEX.



**Value of Bicarbonate Use  
In Swine Feeding Tested**  
An experimental feeding program to determine the value of bicarbonate of soda in the feeding of hogs is being conducted this fall at Iowa State college.  
Experiments will be aimed at determining whether the feeding of bicarbonate of soda produces observable benefits in the growth of swine and whether the ingestion of amounts equal to 1 per cent of the ration will produce results

**Regular Advertising Pays Dividends**

Like putting money in the bank!



GET **"Lubri-tection!"**

with Phillips 66 Premium Motor Oil

Car repair bills, like most other bills these days, are much higher than pre-war. So don't invite trouble . . . use Phillips 66 Premium Motor Oil.

With Phillips 66 Premium Motor Oil you get "Lubri-tection." That means, you benefit from the fine lubricating qualities of an expertly refined oil plus chemical additives which help prevent sludge and varnish. Double service that helps keep your car out of the repair shop! Stop at the station displaying the orange and black Phillips 66 Shield. Ask for Phillips 66 Premium Motor Oil. It's worth far more than it costs.



**PHILLIPS 66  
PREMIUM  
MOTOR OIL**

Lubricate for  
every 1000 miles!

Bolton Oil Co., Artesia

**FOOD... through the ages...**



LAVISH FEASTING SO  
ENDANGERED HEALTH  
AND PURSE IN 14<sup>TH</sup> CENT-  
URY ENGLAND, THAT  
EDWARD III (1312-1377)  
LIMITED ALL MEALS  
TO TWO COURSES.

THE WORD "SPOONING"  
COMES FROM MEDIE-  
VAL LOVERS' CUSTOM  
OF GIVING SPOONS  
TO THEIR SWEET-  
HEARTS.



ENGLAND'S FAMOUS  
MAGNA CARTA (1215),  
WHICH DEFINED BRIT-  
ISH LIBERTIES, ALSO  
ESTABLISHED THE  
KINGDOM'S FIRST  
STANDARD MEASURE-  
MENT FOR ALE.



MANY MEDIEVAL MEN  
DINERS WORE HATS BE-  
CAUSE OF COLD AND  
DRAUGHTY HOUSES. A  
CUSTOM WHICH PER-  
SISTED UNTIL WIGS  
CAME IN.



Copyright 1950 J. V. Clarke

When in doubt Advertise

## THE BIBLE SPEAKS

International Uniform Sunday School Lessons  
By DR. KENNETH J. FOREMAN

SCRIPTURE: Acts 2:1-41.  
DEVOTIONAL READING: Joel 2:28-32.

### The Church Dynamic

Lesson for January 8, 1950

THE CHURCH is not meant to be a club, a lecture-hall, a debating society, a rest home, a music hall, an entertainment bureau or a burial association. It has something to do along all these lines, of course. But the Church is meant to be a place and channel of power. One of the last things Jesus, the Founder of the Church, said to his friends was: "Ye shall receive power when the Holy Spirit is come upon you." Not—you shall receive comfort, or wealth, or insight, or any other good thing, though all of them have their place. What Jesus highlights is power.



Dr. Foreman

The early Christians could not have imagined a church without the Holy Spirit, because in fact there had never been one without him. It was the coming of the Spirit on that summer day in Jerusalem that actually made the church, in the first place. True, it was not made out of nothing.

But suppose the Spirit had never come? What would have happened? Sooner or later the little band would have grown tired of waiting, would have given up faith in Jesus' promise, would have drifted off one by one, and the Christian church would have died before it was born.

#### Tongues of Fire

THERE SEEMS to be something mystic, mysterious and unreal about the Holy Spirit, to most people's minds. We read in Acts about the flaming tongues of fire, about the rushing mighty wind, about Christians talking in strange languages; and then we go to our own church and find there no fire, no wind; only ordinary English is spoken by everyday people, the same people we have been seeing all week.

We get to thinking the Holy Spirit is just something in the Bible, some experience they could have away back yonder, but not here and now. After all, looking over the church from that day to this, and around the world at the present day, how many cases, authentic genuine cases of fire-on-the-head or storm-in-the-church-house, do you find? Not many! Does that show the Holy Spirit is not here any more?

We must remember that St. Paul met with much the same questions. Did a man have to speak in strange tongues to be sure he had the Holy Spirit? Fortunately, Paul stated in so many words what the fruits of the Spirit are: Love, joy, peace . . . Look up the rest of it in Gal. 3:22-23.

You may take St. Paul's inspired word for it: If you ever see a church, a Christian group, that is notable for love, joy, peace . . . gentleness, goodness, faith . . . you may be sure the Holy Spirit is there. We do not gather grapes from thorns nor figs from thistles, Jesus says.

#### How Can We Get the Holy Spirit?

WE CANNOT GET the Spirit by wishing ourselves back in the first century. We can have the Holy Spirit now, on the same terms as always. There are no new conditions, no complicated rules, no application blanks to fill out. Jesus said: God will give the Holy Spirit to them that ask him; Paul said: Covet earnestly the best gifts.

In any church, if there is even a small group who want the power of God in their lives, who want his power for the church, that little group can change that church and change the community. Power passes through a wire when one end of it is attached to a dynamo and the other end to a machine that is doing some work.

Prayer—that is the touch with God. Service—that is the link with man. So power will flow through the Church when at one end it is in touch with God, and at the other end it is doing something real for human needs.

## MIRROR Of Your MIND

Degrees of 'Emotionalism'

By Lawrence Gould



Are some people more "emotional" than others?

Answer: Very much so, if you mean that they display their feelings freely, or cannot control them when they want to. But I know no reason for believing that one person is endowed by Nature with more or less inborn capacity for feeling than another. Depending upon their life-experience, especially children, A—develops more intense feeling of love or hate than B—does and at the same time either remains free to express his feelings or is forced to "repress" them out of consciousness. But they may have been much alike to start with.

try to learn something from a long-winded description of your future father-in-law's business problems if you have to listen to them while you're waiting for daughter to put on her make-up. Adaptability is the best antidote to boredom.



Do "truth serums" violate a prisoner's rights?

Answer: They would seem to, unless he accepts the treatment of his own accord and with full knowledge of what he is doing. For "narcoanalysis" may lead him to incriminate himself by admitting what the law allows him to require the prosecution to prove. A French court ruled that a prisoner who had been shown by this method to be feigning illness had been "deprived of his free will," and threatened to prosecute the doctors for "assault and battery." What goes on in our minds is no one else's business unless we choose to reveal it.

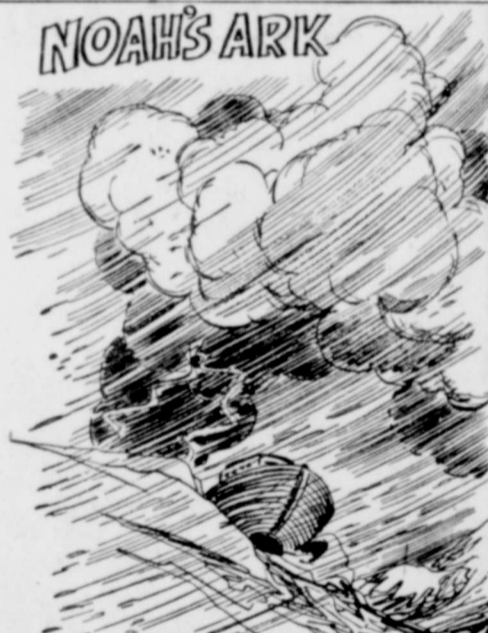


Does it do you any harm to be bored?

Answer: Yes. For boredom is frustration (of your wish to do something that interests you) and frustration always tends to create rage and inner conflict. On the other hand, the reason for your being bored is often that you're childishly unwilling to "make the best of a bad job." For instance,

## LOOKING AT RELIGION

By DON MOORE



NOAH'S ARK  
DO ITS BONES STILL LIE ON MT. ARARAT WHERE IT CAME TO REST AFTER THE DELUGE? ENOUGH SCIENTISTS THOUGHT SO TO SEND OUT A SEARCHING EXPEDITION LAST SUMMER. NO TRACE OF THE ARK WAS DISCOVERED—BUT ANOTHER SEARCH IS PLANNED NEXT YEAR.



IN HANOVER, GERMANY A NEW CHURCH LAW REQUIRES THE PASTORS TO RETIRE AT THE AGE OF 66!

ALSO IN GERMANY IT HAS BEEN COMMONLY AGREED THAT A GIRL CAN WEAR LIPSTICK AND BE A CHRISTIAN AT THE SAME TIME!

## KEEPING HEALTHY

### Cortisone, ACTH for Rheumatism

By Dr. James W. Barton

WHEN WE READ about the wonderful results obtained in the treatment of rheumatism and arthritis by the use of Cortisone—Compound E—and also ACTH, and have a loved one suffering with disability and pain, we may grow impatient with the delay in producing these drugs.

And in the case of ACTH, we cannot understand why a firm as large as Armour & Co., cannot produce it in sufficient quantities for even a small percentage of sufferers.

Perhaps all the answers to why we cannot get either of these drugs at the present time is because the tremendous demand greatly exceeds the supply.

Rheumatism is the oldest disease known to man and more patients suffer with it than with any other disease. Besides, the great demand for the drugs in cases of rheumatism, research workers are reporting excellent results in the use of them in other diseases than rheumatism.

In fact, they state that Cortisone and ACTH will be hailed as wonder drugs of the same standing as insulin for diabetes. And like insulin, at present anyway, these new drugs must be taken continuously, as symptoms return when these drugs are stopped.

In "The Ontario Medical Review," Dr. Wallace Graham, president, Canadian Arthritis society, states that Cortisone, produced by Merck & Co., and ACTH, taking months to produce even under the best conditions, are now available.

"The production of Cortisone is an extraordinarily difficult and complicated process requiring more than 30 time-consuming chemical reactions. To produce the compound from its first step to the finished product requires many months. The amount accumulated from 1946 to January, 1949, will have been virtually exhausted by the experimental and clinical studies which have already been completed and by the additional studies now in progress."

## The Way it Happened . . .

IN MILWAUKEE . . . Alvin B. Wolff, accused of selling toys without a license, sold the judge two mechanical penguins before being ordered to leave town.

IN LONG BEACH, CALIF. . . . Because his hard-of-hearing parishioners were getting nothing but local police calls over their heads in church, Rev. Ralph M. Grove called in an electrical engineer for help.

IN HIGHLAND PARK, MICH. . . . When arrested by police, Francis Vivian was carrying an arsenal including a long-bladed knife, a blackjack, bow and arrows.

IN SALT LAKE CITY . . . Police investigating the theft of \$15 at the home of Mrs. Kinzie B. Holbrook saw a pair of feet protruding from under a bed, lifted the coverlet, saw a youth scramble out and escape before they regained their wits.

## Little Bear Lamp Is After-Dark Companion



Lamp for a Child's Room  
THIS little bear is a jolly after-dark companion. His colors glow brightly when the light over his head is turned on and he stands out clearly in front of the dim night light at his back.

Cut out, paint and wire him with Pattern 309, price 25c. Send order to  
WORKSHOP PATTERN SERVICE  
Drawer 10  
Bedford Hills, New York

## FIRST AID TO THE AILING HOUSE

BY ROGER C. WHITMAN

#### Paint for Insulation Board

QUESTION: I would like to know what kind of paint to use on insulating board. We want to plaster over the walls some day, and we don't want to put anything on it that will prevent us from plastering. We were told not to put on wallpaper, because holes have to be put in the walls to make the plaster hold. We were also told not to paint with an oil paint, but that we could use a resin emulsion water-mix paint. We would like your advice.

ANSWER: Plaster can only be applied over an unpainted surface; if you intend to apply plaster, do not paint the board. If you were not going to plaster, you could paint the insulating board with the water paint that you referred to, without sizing or other preparation. But if you were going to use an oil paint, a varnish-size would first have to be applied.

## For Your Future Buy U. S. Savings Bonds



## Economical Cough Relief! Try This Home Mixture

No Cooking. Makes Big Saving. To get quick and satisfying relief from coughs due to colds, mix this recipe in your kitchen.  
First, make a syrup with 2 cups granulated sugar and one cup of water. No cooking needed. Or you can use corn syrup or liquid honey, instead of sugar syrup.  
Then get 2½ ounces of Pinex from any drugstore. This is a special compound of proven ingredients, in concentrated form, well-known for its quick action on throat and bronchial irritations.  
Put Pinex into a pint bottle, and fill up with your syrup. Thus you make a full pint of splendid medicine—about four times as much for your money. It never spoils, and tastes fine.  
And for quick, blessed relief, it is surprising. You can feel it take hold in a way that means business. It loosens phlegm, soothes irritated membranes, eases soreness. Makes breathing easy, and lets you get restful sleep. Just try it, and if not pleased, your money will be refunded.

FOR EXTRA CONVENIENCE GET NEW READY-MIXED, READY-TO-USE PINEX!

## MAN'S BEST LAXATIVE

Grows in Fields and Forests



Folks who need help in keeping regular should look to herbs and roots—for the help provided by Nature.

10 such herbs and roots, scientifically compounded, are found in Nature's Remedy, NR Tablets. Thousands of folks have found NR at night the best way to assure regularity in the morning. So gentle—no griping. It is wonderful—leaves you feeling refreshed, invigorated.

Try NR at our expense, 25 tablets 25c. Buy a box at any drug store and try it. If you are not completely satisfied, return the box and unused tablets to us. We will refund your money plus postage.

Nature's Remedy PLAIN OR CANDY COATED

IF PETER PAIN KNOTS YOU UP WITH

## Muscle Aches



FOR FAST RELIEF, rub in Ben-Gay. Contains up to 2½ times more of those two famous pain-relieving agents, methyl salicylate and menthol, than five other widely offered rub-ins!  
Also for Pain due to RHEUMATISM, NEURALGIA, HEADACHES and COLDS. Ask for Mild Ben-Gay for Children.

QUICK! RUB IN Ben-Gay  
THE ORIGINAL BAUME ANALGESIQUE





# What About Freight Rates?

**A timely message to the shippers of New Mexico from Santa Fe System Lines**

Way back in the last century, a man of courage, integrity, and a vision of the westward course of America named a railroad.

He called it "The Atchison, Topeka and Santa Fe."

This railroad carries New Mexico's capital city in its name.

This railroad, from early times, has been bound by strongest ties to the growth, strength and destiny of the people and the industries of New Mexico.

In all our dealings with the people of New Mexico, we try to reflect the integrity and the vision of that early pioneer who put "Santa Fe" in our name.

It is not only for reasons of pride that we do this. It is basic railroad economics.

The shipper "pays the freight." The more he ships, the more business we do.

It is sound business planning for the Santa Fe to help the shippers and industries of New Mexico move their freight on a basis competitive with that existing in adjoining states.

Not all freight rates are perfect, and we make no claim that they are. Freight rates must be high enough to be profitable and must be kept flexible to meet realities and not fancies. Changes are continually being made as conditions require.

Many reductions in freight rates have been accorded New Mexico shippers by purely voluntary action on the part of the Santa Fe.

New Mexico industries have been given freight rates that permit them to market the state's natural resources in competition with producing areas in other parts of the country.

Every day we are exploring possibilities in New Mexico for the growth of freight traffic, which can build business for the Santa Fe through sound and fair transportation charges.

## **Bring Your Problems to Headquarters**

*We are continually meeting New Mexico shippers and making rates to meet their problems. We want to continue this practice. Rates should not become a political football.*

Our doors are always open to any shipper, large or small, who can help us serve his interests better in the matters of rates, car service, expediting the loading, unloading and movement of freight anywhere in the world.

That is how the Santa Fe has always grown—hand in hand with the people it serves.

*That is the way it is always going to be.*

That is why we have a general traffic office in Albuquerque and representatives throughout the state who are always ready to talk over with you any of your freight problems. Why not consult them?

**THE ATCHISON, TOPEKA AND SANTA FE RAILWAY COMPANY**

**Ain't It So**

It's been many years since anyone heard of the complaint, "housemaid's knee," but it isn't going to be long until "television neck" takes its place.

As between the fat, contented politician of other days, and the lean austere type of later days, many may agree with Thomas Jefferson that the fewer of either, the better.

"Men are reverting to the ape," says an anthropologist. In many a case it would take very little reversion to accomplish the metamorphosis.

**Basket Holds Face Cloth**



5942

**Pineapple Motif**

THIS attractive crocheted basket can be used as a holder for a face cloth in matching or contrasting color to the towel. The popular pineapple motif works up in no time.

Pattern No. 5942 consists of complete crocheting instructions for pocket and edging, material requirements, stitch illustrations and finishing directions.

SEWING CIRCLE NEEDLEWORK  
530 South Wells St. Chicago 7, Ill.  
Enclose 20 cents for pattern.

No. ....  
Name .....  
Address .....

**666**  
LIQUID OR TABLETS  
IS YOUR ANSWER TO  
**COLDS MISERIES**  
Here's why! 666 is time-tested. It's different. Try 666 yourself.

**Help relieve distress of MONTHLY FEMALE COMPLAINTS**

Are you troubled by distress of female functional, periodic disturbances? Does this make you suffer from pain, feel so nervous, tired—at such times? Then start taking Lydia E. Pinkham's Vegetable Compound about ten days before to relieve such symptoms. Pinkham's has a grand soothing effect on one of women's most important organs! Truly the woman's friend!

LYDIA E. PINKHAM'S VEGETABLE COMPOUND

**That Nagging Backache**

**May Warn of Disordered Kidney Action**

Modern life with its hurry and worry, irregular habits, improper eating and drinking—its risk of exposure and infection—throws heavy strain on the work of the kidneys. They are apt to become over-taxed and fail to filter excess acid and other impurities from the life-giving blood.

You may suffer nagging backache, headache, dizziness, getting up nights, leg pains, swelling—feel constantly tired, nervous, all worn out. Other signs of kidney or bladder disorder are sometimes burning, scanty or too frequent urination.

Try Doan's Pills. Doan's help the kidneys to pass off harmful excess body waste. They have had more than half a century of public approval. Are recommended by grateful users everywhere. Ask your neighbor!

**DOAN'S PILLS**



**Hearty Desserts, Served Piping Hot From Stove, Pep Up Family Meals**

"IT SEEMS though I can't serve enough to keep appetites satisfied these cold days," says many a homemaker when the temperatures dip and chilly menfolk and youngsters crowd around the table ready to eat everything in sight. If you've planned a soup, this helps take the edge off sharp appetites. Add to this a nourishing meat dish, a starchy food and a vegetable and a salad; top it off with a hot, hearty dessert, and you'll be certain to meet not only nutritional requirements for a heavy meal, but also those of the appetite as well.

IF YOU MIX a starchy food with fruit, you have the perfect answer for dessert in many instances. Hot puddings can be baked right with meat and vegetables. Other top-of-the-stove desserts may be quickly prepared, so neither adds much work toward getting together a meal.

**Cranberry Coconut Dumplings (Serves 6)**

- 1 cup sifted flour
- 1 teaspoon double-acting baking powder
- ¼ teaspoon salt
- 3 tablespoons sugar
- ½ cup shredded coconut, cut
- 1 egg, well beaten
- ¼ cup milk
- 4 tablespoons melted butter
- 1-½ cups (1-pound can) whole cranberry sauce
- ½ cup orange juice

Sift flour once, measure, add baking powder, salt, and sugar, and sift again. Add coconut. Combine egg, milk, and butter; add to flour mixture, stirring until soft dough is formed.

Combine cranberry sauce and orange juice in saucepan; bring to a boil. Drop dumpling batter from tablespoon into hot cranberry sauce. Cover tightly and cook over low heat 15 minutes. Serve at once with cream, if desired.

**Coconut Dessert Pancakes (Serves 4-6)**

- 1 cup sifted flour
- 1 teaspoon double-acting baking powder
- ½ teaspoon salt
- 1 teaspoon sugar
- 1 egg, well beaten
- 1 cup milk
- 3 tablespoons melted butter or other shortening
- ½ cup finely cut shredded coconut, plain or toasted
- 1 cup fresh or canned whole cranberry sauce

Sift flour once, measure, add baking powder, salt, and sugar, and sift again. Combine egg and milk. Add gradually to dry ingredients, beating only until smooth. Add shortening and coconut. Use about three tablespoons of batter

for each pancake and bake on hot griddle. Serve three or four (three-inch) pancakes with cranberry sauce for each serving.

**Empress Pudding (Serves 6)**

- 1 quart milk, scalded
- ½ cup rice
- ½ teaspoon salt
- ¼-½ cup sugar
- 2 eggs
- 1 teaspoon vanilla
- ¼ teaspoon nutmeg
- 1-½ cups drained, cooked apricots (sweetened) or 1 cup apricot jam, or other favorite jam



Old-fashioned rice pudding goes modern with apricots substituted for raisins and some jam in between the layers for extra appetite appeal. This is an ideal dessert to make when you're having an oven dinner.



Dumplings light as air are these Cranberry Coconut delights that make a perfect, fruit-filled dessert for mid-winter mealtime glamor. The batter is easy to make and is then simply dropped in cranberry sauce to cook.

**LYNN CHAMBERS' MENU**  
Chilled Vegetable Juice  
Braised Lamb Shanks with Potatoes Onions Carrots Orange and Grapefruit Salad Rolls  
\*Cherry Nut Custard Beverage  
\*Recipe Given

Scald milk in top of double boiler; add washed, drained rice and salt. Cover and cook over hot water about an hour, until rice is tender and milk is about absorbed. Stir occasionally. Beat eggs; add sugar and blend. Stir some hot rice into egg-sugar mixture and blend; stir into remaining rice mixture. Add



vanilla and nutmeg. Put rice into well-buttered casserole in alternate layers with apricots or jam between, reserving a little for top. Bake in a moderate oven, 325°, about 40 minutes or until lightly browned. Serve with milk or cream.

**\*Cherry Nut Custard (Serves 6-8)**

- ½ cup sugar
- ½ cup flour
- ¼ teaspoon salt
- 2 cups scalded milk
- 1 teaspoon vanilla or almond extract
- 2 eggs or egg yolks
- 1 cup red tart pitted cherries (canned or frozen)
- ½ cup broken nut meats

Mix dry ingredients. Add scalded milk gradually. Cook 15 minutes in double boiler, stirring constantly until mixture thickens and afterwards occasionally. Add eggs, slightly beaten, and cook two or three minutes longer. Cool and fold in the flavoring, cherries and nuts. Serve with dainty cake cut-outs or cookies.

**Cherry-Apple Cobbler Serves 8**

**Cobbler Crust:** Any favorite baking powder biscuit dough may be used. This may be made a little shorter for this purpose, if desired, by adding two additional tablespoons of shortening per cup of flour. Press a layer of the dough into a greased baking dish, then add filling and top with remaining dough. Bake at 400°, about 25 minutes, or until crust is brown and filling is tender.

**Cobbler Filling:**

- 1 cup red tart pitted cherries
- 2 cups apples — any cooking apples, sliced as for pie
- 1 cup sugar
- 3 tablespoons flour

Combine sugar and flour, then mix well with the cherries and apples.

**Cherry Foam Sauce:**

- 1 cup tart red cherry juice
- 1 cup sugar
- 2 egg whites
- ¼ teaspoon almond flavoring
- Few drops red vegetable coloring

Combine juice and sugar. Cook to a thick syrup or 230°. Pour gently over stiffly beaten egg whites, add flavoring, then coloring to make desired shade. Serve hot or cold as a sauce or topping on any plain cake, such as white, yellow, sponge or angel food.

**Household Hints**

To remove egg stain on silver without resorting to polish, sprinkle salt on the utensil and rub it with a wet cloth.

To retard rust on the inside of the oven, coat the surface with lard, well rubbed in. Repeat the treatment every two months.

When making muffins, the ingredients will combine easier if you have them at room temperature before they're mixed. Avoid beating the batter if possible, because beating usually makes for tough muffins.

To keep harmful light and heat from canned and preserved food in storage, tack a piece of oilcloth on the edge of each shelf so it hangs down over the contents of the shelf below it.

When an iron frying pan collects a lot of black deposit, dip it in gasoline; then take it outdoors and set a match to it by attaching the match to the end of a long stick. After the flame goes out, scrub the skillet with hot soapy water.

**SAVES MONEY FOR MILLIONS**  
**St. Joseph ASPIRIN**  
WORLD'S LARGEST SELLER AT 10¢

**SUFFERING FROM RHEUMATISM? HERE'S GOOD NEWS!**

Crazy Water Crystals give almost miraculous benefits to sufferers from rheumatism, arthritis, neuritis, and stomach disorders caused or aggravated by poor elimination. Money-back guarantee. If your druggist doesn't stock, send \$1.25 for 1-lb. box. Crazy Water Company, Mineral Wells, Texas.

**CRAZY WATER CRYSTALS**

**Order Boote's Quality Chicks Now!**

Avoid next spring's rush! Take advantage of Boote's outstanding chick offers. Choose your delivery date. Special No. 1—500 healthy broiler chicks only \$25... 8-week livability guarantee. Special No. 2—500 sturdy chicks, guaranteed all heavy breeds, only \$34.95. Orders on specials will not exceed 20% pullets—SPECIALS No. 1 and No. 2 \$1.00 per 100 extra in less than 500 lots. Started pullets and chicks 2 to 12 wks. old. All breeds. Write for complete price list.

**Boote's HATCHERIES, Inc.**  
WORTHINGTON, MINNESOTA

**"COLD DEMONS" GOT YOUR CHILD?**



Don't let "Cold Demons" make her chest feel sore, congested—rub on Mentholatum. Fast, safe Mentholatum helps lessen congestion. Its vapors soothe inflamed passages, ease coughing spasms. For head colds, too... makes breathing easier. In jars, tubes.

**Quick Relief with MENTHOLATUM**

**FOR POCKET OR PURSE!**

Real Mentholatum medication in handy stick form. Brings quick relief to dry, cracked, chapped lips... any time, anywhere! Easy to carry, easy to use. Only 35¢.

**NEW! MENTHOLATUM medicated STICK**

**"I'm Winning Because of You"**

**JOIN THE MARCH OF DIMES**

**January 16-31**

**FIGHT INFANTILE PARALYSIS**

The National Foundation for Infantile Paralysis  
FRANKLIN D. ROOSEVELT, founder



**WINTER WON'T WAIT**

It's up to you to winterize your car for safety. Check brakes, tire chains, lights, windshield wipers, and defroster today... prevent an accident tomorrow.

Prepared in cooperation with The Advertising Council and the National Safety Council

# LANDSUN THEATER

SUN—MON—TUES

Lucile Ball                      Wm. Holden  
**'Miss Grant Takes Richmond'**

# OCOTILLO THEATER

SUN—MON—TUES

Richard Conte                      Lee J. Cobb  
**"Thieves Highway"**

Begin the new year right by  
 having those pictures taken  
 Today.  
 Leone's Studio                      Artesia

**Penasco Valley News**  
 and Hope Press  
 Entered as second class matter  
 Feb. 22, 1929 at the Post Office at  
 Hope, N. Mex., under the Act of  
 Mar. 3, 1879.  
 Advertising Rates 35¢ per col. inch  
 Subscriptions                      \$2.50 per year  
 W. E. ROOD, Publisher

**Bill Sez:**  
 Extra Ocean Pearl Snaps for  
 Western Shirts now available at  
**KEYS MEN'S WEAR**  
 116 W. Main, Artesia

**Hope Service Station & Garage**  
 Independent Products  
 Modern Automotive Shop  
 We serve you with experience and a  
 "Thank You"                      Phone AF3  
**Dean, Dean & Tarrant, Props.**  
 Hope New Mexico

**Milk Output Seen  
 As Forecastable**  
**'Factor' Method Used  
 In 50-70 Day Tests**  
 Breeders of Ayrshire dairy cattle  
 can now determine the annual  
 milk production of their cows, with  
 a maximum margin of error of  
 only eight-tenths of one per cent, on  
 the basis of fifty to seventy day  
 milking records.  
 It is expected that dairy farmers  
 will save untold thousands of dol-  
 lars every year by the scientific  
 selection of bulls at an early date.  
 The breeding value of bulls, whose  
 blood strains affect milk produc-  
 tion as well as the butterfat con-  
 tent in milk, can now be determined  
 more quickly than ever before  
 by the application of this accurate  
 advance data.  
 This revolutionary development  
 in dairy farming was announced by  
 Henry Mosle, chairman of the re-  
 search committee of the Ayrshire

**The First National Bank of Roswell**  
 Roswell, New Mexico  
 Member—Federal Deposit Insurance Corp.  
 Serving Southeastern New Mexico Since 1890

If Business is Dull..  
**Advertise**

**Peoples State Bank**  
 Capital & Surplus \$200,000  
 Artesia, New Mexico  
 We invite your checking account

**E. B. BULLOCK & SONS**  
 FEED  
*El Rancho*  
 FEEDS  
 On the Corner 36 Years                      Artesia, New Mexico



A famed Ayrshire cow, Iro-  
 quois Sally Winters, with owner  
 Robert L. Knight, of Lippitt  
 Farms, R. L., one of the na-  
 tion's top dairy cattle farms.  
 Knight can now forecast Sally's  
 annual milk yield on analysis  
 of 50-70 day lactation figures  
 by using the Ayrshire "factor"  
 service.

Have Your Car Overhauled Now  
 by Experienced Workmen  
**HART MOTOR CO.**  
 207 W. Texas, Artesia                      Phone 237W

**When in Artesia**  
 Stop and shop at the finest drug store  
 in New Mexico. Coffee, tea and hot  
 sandwiches served also.  
**IRBY Drug Store**  
 The Drug Store in the Carper Bldg.

breeders' association. Mosle, own-  
 er of Fair Meadows farm, Litch-  
 field, Connecticut, made the an-  
 nouncement after the 1949 annual  
 meeting of the research committee,  
 at the headquarters of the Ayr-  
 shire breeders' association in  
 Brandon, Vermont.

**F. L. WILSON**  
 Purina Feeds and Baby Chicks  
 Sherwin-Williams Paints  
 111 S. 2nd St.                      Artesia

**Bank with a Bank you can Bank On**  
 Capital \$200,000                      Surplus \$200,000  
 You will find the going easier  
 with your account in the  
**First National Bank**  
 Artesia,                      New Mexico.

The accuracy of the statistical  
 "factors" which forecast the an-  
 nual milk yield of Ayrshire cows  
 was established after a year's in-  
 tensive survey by Donald Trombly,  
 head of the division of records of  
 the Ayrshire breeders' association.  
 Approximately 500 Ayrshire herds  
 in 40 states participated in the sur-  
 vey, in order to insure a genuine  
 cross-section in testing the "fac-  
 tors." Each herd numbered from  
 five to 125 cows. It was estab-  
 lished that the 50-70 day "factors"  
 can determine a herd's annual milk  
 yield with 99.25 per cent accuracy.  
 Mosle stated that in order to  
 give Ayrshire breeders the whole  
 truth, and avoid misrepresentation  
 of any nature, unselected data was  
 used in checking the accuracy of  
 the "factors." In other words, the  
 widespread practice of using select  
 cows and bulls was avoided.

**Hardware**  
 of every description at  
 Reasonable Prices.  
 Come in next time you are  
 in town.  
**L. P. Evans Store**  
 Artesia, New Mexico

**BRAINARD-CORBIN HARDWARE CO.**  
 Appliances Housewares Farm Supplies  
 DuPONT PAINT  
 Phone 103                      327 W. Main                      Artesia, N. Mex.

The farmer can now decide  
 whether or not to continue using a  
 bull for breeding purposes eight  
 months earlier than was heretofore  
 possible. Untold thousands of dol-  
 lars will be saved by this practice.  
 Furthermore, the use of the "fac-  
 tors" will enable the breeders to  
 improve the genetic quality of the  
 bulls in their herds more rapidly  
 than ever before. This early build-  
 ing up of "blood" will result in in-  
 creased milk production with high-  
 er butterfat content.

**Advertising is a Good Investment**