

Salutes Horton, Head

County, Horton attended Albany Public Schools and graduated from Throckmorton High in 1928. He attended Wesley Junior College, Greenville, where he compiled an outstanding athletic record in football and track. His B. S. and Master's degrees were earned at East Texas State Teachers College.

As a member of the Board of Stewards of his church, Horton has served as lay speaker in churches in his area for 15 years. He is also active in Masonry.

Family Man Horton, the salute says, "is justifiably proud" of his lovely wife, the former Saleta Fowlkes, and his two sons. Larry, the older son, is a sophomore at the University of Texas Southwestern Medical School. Tom is a sophomore in vocational agriculture at Texas Tech. The family enjoys a hobby of raising fine horses.

Texas School Business Magazine pays tribute to Horton, whose career "continues to enrich the lives of those with whom he comes in contact."

Pinkerton WMU Meet
Mrs. Bill Lees was in charge of the program, Enrollment for Missions, at the recent meeting of the Pinkerton WMU.

Members present included Mmes. Red Hannsz, Nolen Lees, Douglas Vaughn, N. F. Foster, and Bill Lees.

Next meeting of the group will be on May 13.

'Saddle Tramps' Here Ride Again --To Victory!

When the Haskell Sheriff's Posse, self-styled "Saddle Tramps," took top nod as the best riding club at the opening of the 17th annual Hardin-Simmons Intercollegiate Rodeo in Abilene Thursday night, it was the third time in three outings the crimson-and-gold clad horsemen from here have finished "in the money" this brand new rodeo season.

Trophy takers for second places in rides at Sweetwater and San Angelo rodeo roundups in the past four weeks, the Haskell Sheriff's Posse won the first place honors at the Abilene event Thursday night in competition with eleven other riding groups. Winters and Ballinger Riding Clubs were second and third in that order.

Also competing were the Coleman Sheriff's Posse, AFB Riding Club, Fisher County Sheriff's Posse, which finished in first place ahead of Haskell at Sweetwater, Palomino Horse section, Callahan County Sheriff's Posse, Merkel Riding Club, May Riding Club, Appaloosa horse section, and Paint horse section.

The conformation - of-horse-and-rider boys from Haskell, 18 strong, who won 5 firsts out of six appearances in rodeo presentations at grand entries in 1962, will be out to better their 1963 record when they ride in the forthcoming Throckmorton Rodeo the second weekend in May and the Rice Springs Roundup here on May 16.

Aaron Edgar Is Panhandle Press Prexy for 1963-64

Aaron Edgar, publisher of the Munday Times, has been elevated from vice president to the presidency of the Panhandle Press Association for 1963-64. He succeeds Charles Sarchet, of the Briscoe County News, Silverton.

Edgar had been a director of PPA prior to his election as vice president.

Ed Eakin, of the Quanah Tribune-Chief, was named vice president, taking over Edgar's previous slot, and Ben Ezzell, of the Canadian Record, was

Herbert Ray Goes To Service Officer Session In Lubbock

Herbert Ray, veterans service officer for Haskell County, attended a regional rehabilitation clinic for veterans service officers conducted in Lubbock recently.

Conducted by the Veterans Affairs Commission of Texas, in cooperation with various veterans organizations, the clinic provided service officers in the 79-county West Texas region an opportunity to obtain first-hand knowledge of new legislation affecting benefits to veterans, their dependents, and survivors.

Topics discussed during the 2-day clinic included compensation, pension, GI loans, education and training for veterans and war orphans, and hospitalization and medical treatment for veterans.

Three Haskellites To Get Degrees At West Texas

Haskell will be well represented when degrees are conferred at West Texas State University's spring convocation on May 25.

Three Haskell students are among the 307 candidates for degree conferral. They are: Gail Ratliff Jones, bachelor of arts; her husband, Lewis M. Jones, and Barbara Elliott Brock, both bachelor of science.

Gail Jones completed her work for a degree in January, but will receive hers in the same graduation convocation as her husband.

Mrs. Jones is the daughter of Mr. and Mrs. Hugh C. Ratliff of Haskell, and is an English major. She is a member of Zeta Tau Alpha, national social sorority; Alpha Chi, national honor society; Kappa Delta Pi, national professional fraternity in education; and the Student Education Association.

Jones is the son of Mr. and Mrs. Woodrow W. Jones of Haskell, and is a math major. He is president of the West Texas chapter of Kappa Alpha Order, national social fraternity.

Mrs. Brock is the daughter of Mr. and Mrs. Jean Elliott, of Haskell, and is an elementary education major.

Marine Sergeant Counce Lands Here On Manpower Job

A United States Marine, exemplary of the Corps to the core, has landed to establish a beach-head in the Haskell area, and his mission is to find more Marines.

The new Marine Corps Recruiter for this area and 16 Northwest and North Central Texas counties, including the territory from Aspermont, Haskell and Throckmorton to Eastland, Coleman, Brownwood and Comanche, is Staff Sergeant Joe Counce.

Sergeant Counce, a native of Enid, Okla., is a career Marine with 14 years of service. He has assumed his duties at the U. S. Marine Corps Recruiting Sub-Station in Abilene after completing a nine-week course at Parris Island, South Carolina.

Haskell's Post Office will be Sergeant Counce's headquarters the second Thursday of each month at which time he would like to talk to young men interested in the Marine Corps. Anyone not able to contact him personally is asked to call or write his office at 422 1/2 N. 2nd Street, Abilene.

An aviation photo technician by military occupational specialty, Sgt. Counce is a graduate of Enid, Oklahoma, High School, and has two and a half years work completed toward a college degree.

Haskellite Takes Tough Training for Combat Readiness

Army Specialist Four Melvin H. Reynolds, 26, son of Mr. and Mrs. William H. Reynolds, of Haskell, recently participated in the 109th Transportation Company's Annual Training Test in Germany, according to word received here.

The ATT is the toughest and most complete assessment of a unit's combat readiness and provides the most grueling, exacting and realistic conditions possible in peacetime, it was reported from overseas.

Specialist Reynolds, a heavy vehicle driver in the 109th in Germany, entered the Army in December, 1960, and arrived overseas in August, 1962. He was last assigned to Fort Irwin, Calif.

A former Haskell High School student, Reynolds was employed by the Lock Joint Pipe Company, Cheyenne, Wyoming, before entering the Army.

Pre-School Health Clinic Set Next Tuesday Afternoon

Annual pre-school health clinic has been scheduled for next Tuesday, May 7, at 1 p. m. in the Haskell Elementary School here.

This is a program for all pre-school age children, designed to acquaint parents and school officials with the general health condition of children in this age group. All children who have not previously enrolled in school and who will be six years old on or before September 1, are eligible for this clinic, and no charge is made for the examination.

Letters are being sent to all parents who have pre-school age children listed on the school census. However, school officials emphasized, if a child is not listed on the census, but will be six before September 1, he or she should participate in the clinic, and cooperation is urged in this effort.

47 Rule Students Have 'A' Average Last Six Weeks

Forty-seven students in all grades at Rule schools received no grade below "A" for the fifth sixth weeks' grading period of the current school year.

All "A" students were: Seniors: Lynn Beard, Judy Jones, Marguerite McQuinn, Jimmy Norman.

Juniors: Dolores Stryker, Carol Sue White.

Sophomores: Joe Cannon, Linda Simpson, Brent Davis.

Eighth Grade: Mary Ann Anders, Sue Gann, June Hill, Mary Sue Lewis.

Seventh Grade: Nan Jones, Sixth Grade: Caron Cloud, Gayle Richards, Judy Nelms.

Fifth Grade: Charlotte Allison, Menda Beard, Rhonda Carroll, Bill Jones, Winston May, Marilyn Moore, Donna White.

Fourth Grade: Linda Bryan, Carol McCandless, Mike McGuire, Pam Wilson.

Third Grade: Deborah Denison, Kelly Holamon, Roy Jones, Carol Miller.

Second Grade: John Hill, Patti Simpson, Elaine Benton, Carol Flores, Don Hisey, Becky Jones, Gail Lott, Susanne McAdoo.

First Grade: Bobby Hill, Rob Kittley, Joni Letz, Van Vandiver, Cynthia Carroll, Steven Simpson, Cole Turner.

Highway Patrol Recaps County Accident Toll

The Highway Patrol investigated six rural accidents in Haskell County during the month of March, according to Sergeant Frank Jirek, of Haskell, patrol supervisor for this area.

These wrecks accounted for eight persons injured and an estimated property damage of \$2,065, Sergeant Jirek said.

The rural traffic accident summary for Haskell County from January through March of 1963 shows a total of eleven crashes, with 1 person killed, 15 people injured, and estimated property damage of \$5,140.00.

The motorist should realize that highway mishaps begin to multiply by leaps and bounds this time of year when folks want to get out and enjoy the invigorating atmosphere and countryside. "So we'd like to remind motorists to exercise vigilance and care in obedience to the traffic laws protecting their lives," Sergeant Jirek said.

Most Items Moved Except Toupee At Wooten's Auction

In the second of a series of public auctions, Wooten Oil Company here recently sold items as big as a 1951 school bus and as small as a two-bit key chain, but the advertised toupee didn't "move," Wallace Wooten reports.

Three potential outdoor chefs were winners in drawings for barbecue grills at the Wooten-

sponsored event. They were Frankie Don Mullins, of Haskell; Roy Medford, of Paint Creek; and Bert Smith, of Ft. Worth.

Wooten's next effort on the auction circuit will be a night affair, he said.

SAFE STEERING STARTS HERE! YOUR CAR "Wears Out" ALIGNMENT 3 Times FASTER than a Muffler! BEAR SERVICE

OUR EXPERT Wheel Safety Check SPOTS TROUBLE ON THE DOUBLE WOOTEN OIL COMPANY 307 South Ave. E

RAINEY'S PLUMBING SHOP OFFICE HOURS—8 a. m. to 6 p. m. 103 South Ave. F • Haskell, Texas Telephone 864-2078 Day or Night —24 HOUR SERVICE— Plumbing Supplies - Pipe cut and threaded State Licensed Master Plumber

Dr Pepper Dietetic LOW IN CALORIES LOW IN BOTTLES 1/3 calorie per ounce Dr Pepper dietetic

MAXWELL HOUSE COFFEE . . . lb. 49c 2 lb. can . . . 89c BURRITTE—Keeps Drinks Hot or Cold—Regular 69c value INSULATED GLASSES . . . 2 for 69c Teddy Bear TOILET TISSUE . . . 10 roll pack 89c RANCH BOY—Tall Cans DOG FOOD . . . 5c Angel Soft Facial—400 count box TISSUE . . . 19c Libby's CATSUP . . . 14 oz. bottle 19c Folger's INSTANT COFFEE . . . 6 oz. jar 59c LIPTON'S TEA White Swan—All 39c and 29c bags CANDY . . . 4 bags 98c Armour's VIENNA SAUSAGE . . . 5 cans 98c Honey Boy Tall Can Salmon . . . 55c Armour's 12 oz. can Treet . . . 39c Wapco Cut 303 can Green Beans . . 12c REGULAR OR HICKORY SMOKE CUE BAR-B-O SAUCE . . . 18 oz. bottle 19c White Swan Yellow Cream Style—303 can HI-C—46 oz. can Orange Drink 29c Libby's, 46 oz. cans Pineapple-Grapefruit Drink . . . 29c Corn . . . 12c WHITE SWAN FRUIT COCKTAIL, . . . 5 cans 98c Meadlake MARGARINE lb. 19c Seven STEAK lb. 49c Veal CUTLETS lb. 69c Fresh Ground HAMBURGER lb. 39c RENFRO GRO. & MKT. QUALITY MEATS our SPECIALTY! —1506 NORTH AVENUE E—

Mrs. Buddy Herren Is Honored With Tea By Group Here

Mrs. Clinton H. Herren, Jr., was honored with a tea in the Community Room of Haskell National Bank on Saturday afternoon, April 20. Mrs. Herren is the bride of Clinton (Buddy) Herren, of Haskell, son of Mr. and Mrs. Clinton H. Herren here. The newlyweds have established residence in Wichita Falls, where the groom is with Parker-Ford investment bankers.

With the honoree in the receiving line were the mother and grandmother of her husband, Mrs. Clinton Herren, Sr., and Mrs. C. F. Mullins.

Misses Betsy Fouts and Carolyn Williams showed gifts to the guests who were registered by Mrs. Richard Monroe.

A green and yellow color pattern predominated the occasion. In the decorated tables, centerpieces, refreshments and even to the lovely fair-haired bride, these colors were blended.

Guests who called from 5 to 7 were greeted by the hostesses: Misses Frank Jirek, Joseph Williams, Harold Spain, William Holden, Douglas Lees, Frank Martin, Thomas Robertson, George Fouts, Bailey Toliver, and Frank Cadenhead, Jr.



AT TEXAS HERITAGE LUNCHEON Delegates and officers of the Mesquite District, TFWC were guests at the Texas Heritage Luncheon hosted in Graham Methodist Church last weekend. Among the prominent clubwomen attending were, from left, Mrs. R. W. Herren of Haskell, Mesquite District president; Mrs. Beverly King, Jr. of Graham, convention chairman; Mrs. A. T. Charlton of Houston, TFWC president, and Mrs. Ramon Liles of Weinert district secretary-treasurer.

Hawaiian Luau To Climax Progressive Study Club's 1962-63 Activity Year

An alluring program on the theme, "The Key to Enjoyment," in the form of a Hawaiian Luau at the home of Mrs. Bailey Toliver at 7:30 p. m. Thursday will be the feature of the climax meeting of the Progressive Study Club for this activity year.

At its recent April get-together, the Progressive Study Club en masse attended the dress rehearsal of "The Miracle Worker," Haskell High School's District 6AA winning one-act play.

These followed a tour conducted by Mrs. Buck Everett, of homes recently renovated and repaired after last spring's devastating tornado in Haskell. The homes visited included that of Mr. and Mrs. Jimmy Turner, restored after the tornado disaster, the new residence of Mr. and Mrs. H. V. Woodard, and the recently renovated home of Mr. and Mrs. Aylor Weaver.

In Texas, Mrs. Huey Hodson and Mrs. W. O. Holden, served refreshments at the Weaver home. Mrs. Everett presented thoughts on the undervaluing role of importance a home plays in family life. It is not the size nor decor that makes a house a home, but the love and happiness that dwells therein, she said.

The Progressive Study Club, a motivating force for community development in Haskell, announced through its president, Mrs. Weaver, plans for the club's decoration of a room at the Haskell County Hospital.

Members of this federated club, one of whom is Mrs. R. W. Herren, under whose spirited leadership the activities of the Mesquite District TFWC, have been prosecuted this year, attended the district's recent annual convention in Graham. They included, in addition to Mesquite District President, Mrs. Herren, Mrs. Glen Salmmons, Mrs. Ed Hester, Mrs. W. H. Pittman, Mrs. Abe Turner, Mrs. Bailey Toliver.

Mrs. Garrett "Gallyvants" Mrs. Garth Garrett, wife of the Sheriff, has returned home after a brief visit to the home of the Sheriff's sister and her husband, the Willie Farrelis, at Hamilton, Texas. The Farrelis operate a chicken farm, gathering 900 eggs daily. Unable to resist the temptation to help, Mrs. Garrett joined in the daily chores, and said it put Easter egg huntin' in the shade.

It Could Be You!
Just Come To
Lane-Felker
SATURDAY, MAY 12TH
To Meet Mr. Pierce
of Thermo-Jac
and you will be in our
"MISS THERMO-JAC CONTEST"
Winner will receive a
complete Thermo-Jac
Outfit.

Mrs. H. H. Hines Is New President Of Rule Guild

Mrs. H. H. Hines was elected president of the Wesleyan Service Guild of the Methodist Church in Rule for the 1962-63 activity year at a meeting held recently in the home of Mrs. Rex Murray.

Other officers chosen to serve with Mrs. Hines are: Mrs. Ada Williamson, vice president; Ruth Hines, secretary; Mrs. Olin Macon, treasurer; Mrs. Herbert Hines, missionary education chairman; Mrs. Ella Mae Squires, spiritual life chairman; Mrs. M. E. Hines and Mrs. Rex Murray, coordinators.

Mrs. Macon was in charge of the program on "Two Churches Seek Christian Community." The next meeting will be held in the home of Miss Ruth Hines on May 14.

Friends Surprise The J. B. Marrs At House Warming

A surprise house warming honoring the J. B. Marrs of Route 2, Paint Creek, was staged by some fifty friends last Friday night, who called to congratulate them on completion of their new home.

Refreshments were served from a lace-covered table by the following hostesses: Misses M. V. Buntin, Wendell Jones, Bill Marr, H. Russell, Billy Jack Ray, Lavon Marr, and Miss Shirley Everett.

In addition to many Haskell friends, two visiting friends, Mrs. Arley Muller and her husband of South Plains, and Mrs. Clyde Bishop, of Abilene were present.

Appropriate gifts for the new house were brought by each guest whose name was entered in a guest book by Mrs. Wendell Jones.

Kay Test Becomes Bride of John Wayne Neeley In Ft. Worth Vows

Fort Worth—Kay Test and John Wayne Neeley pledged double ring wedding vows Saturday, April 20, at 10 a. m. in the University Christian Church.

The Rev. Jack Slater read the vows and Robert Test was witness.

The bride is the daughter of Mr. and Mrs. Emil K. Test, formerly of Abilene and the bridegroom's parents are Mr. and Mrs. Max Merchant of Haskell.

Attending the bride were Mrs. Bryan Manly of Abilene, mother of bride, and Mrs. Terry Test, sister-in-law of the bride. They wore blue silk dresses decorated with light blue, sweetwillow neckline and three-quarter sleeves.

Benny Neeley of Haskell, brother of the bridegroom, was best man and Jerry Loe was groomsmen.

Terry Test, brother of the bride, seated wedding guests. Escorted by her father, the bride wore a white silk Waltz-length gown with shoulder-length veil of illusion held by a pearl crown. Her flowers were white roses.

Serving in the houseparty at the reception in the bride's parents' home were Misses Kenny Neeley, E. C. Collins and S. D. Sullivan.

For a wedding trip to Dallas the bride wore a pink silk suit.

The couple will be at home in Abilene where the bride is employed by Abilene Public Schools and the bridegroom by the Abilene Police Dept. She is a graduate of Abilene High School and McMurry College. Neeley is a graduate of Haskell High School.

Attending the wedding from Haskell were Mr. and Mrs. Max Merchant, Mr. and Mrs. Kenny Neeley, Mr. and Mrs. E. C. Collins. Following the reception at the home of the bride's parents, the party form Haskell, and Rev. and Mrs. Slater were honored at a luncheon in the home of Mrs. Merchant's brother, A. D. Adkins and Mrs. Adkins.

THE PERFECT
GIFT FOR
MOTHER

Perfections
at a price
by *Vanity Fair*
...only \$5.95

Slips like these give you priceless pleasure every day of the year. Beautifully shaped, rich with laces and embroideries, in wildly flattering colors and no-trouble-to-laundry nylon tricot... how can you resist at \$5.95!

A. Satin Ravissant, 32 to 42
B. Daisy Embroidery, 82 to 42
C. Water Lily Lace, 80 to 42

Lane-Felker

Gifted Fashions for Mother...from

Nelly Don

Nelly Don's Summer collection features young designs that are completely feminine... fabrics that are carefree and light as air. Make Mother's Day special for more than one day with a Nelly Don gift she'll enjoy all season.



1. Monotone town print with bias-tucked bodice. Cool cotton chiffon. Tebilized® for crease resistance, easy care. Black or navy with white. 14 to 44 and 14½ to 24½. 17.98



2. Paisley-print voile blended of Fortrel® polyester and cotton. Jewel-neck bodice, slim skirt of permanent pleats in brown, blue, or green. 8 to 18. 17.98



MISS BRENDA GENE BROOKS

Brooks-Collins Engagement Is Announced

Mr. and Mrs. Harold Edwin Brooks, of Bagwell, have announced the engagement of their daughter, Miss Brenda Gene Brooks, of Dallas, to Robby Vernia Collins, son of Mr. and Mrs. Leslie Vern Collins, of Haskell.

The engaged couple plans to be married at 7:30 p. m., June 8, in Irwindell Methodist Church in Dallas. A reception will be given in the church fellowship hall following the wedding.

Miss Brooks is a graduate of North Texas State University, Denton, and is currently teaching in the Mesquite Independent School System.

Her fiance is a senior student at NTSU, and is a member of the Kappa Alpha Order, national social fraternity.

Subscribe Today
Wichita Falls Times
and
Wichita Falls Record News
for
Home Delivery
or
Mail Subscriptions
Call Your Local Agent
TOMMY MICHAELS
106 N. Ave. M
Ph. 864-2731

THE
PERSONALITY SHOPPE

District President, Installs Rule Philadelphian Club

Philadelphian Club... explaining in rhyme the duties of each officer...



MR. AND MRS. SAM REED... in 1913

Mrs. J. U. Fields Is Magazine Club President Third Time; Member 55 Years

For the third time in the 61-year history of the Magazine Club of Haskell...

Harmony Club Sponsors Organ Hour Here Sunday

In observance of National Music Week May 5-12, the Haskell Harmony Club is sponsoring an Hour of Organ Music...

of a "More Information-Better Legislation" program session. Adkins briefed his audience on recent legislative trends...

Mrs. Holcomb Is Nominee For HD Woman Of Year

Mrs. Joe Holcomb has been chosen the nominee of the Lucky Bluebonnet Home Demonstration Club of Rule for HD Woman of the Year in Haskell County.



THE GOLDEN ANNIVERSARY CELEBRANTS... TODAY

'Miss Thermo-Jac' Will Be Chosen At Lane Felker May 4

A typical American teen-age girl will be chosen "Miss Thermo-Jac" of Lane-Felker in a contest to be held Saturday, May 4th at Lane-Felker.

District Attorney Briefs B&PW Club On Womens Rights

"Legal Rights of Women" was the subject of an address by Haskell District Attorney Royce Adkins...

DANCE to the Music of Dean Beard and the CREW CATS Masters Saturday, May 4 9:00 P. M. 1011 ROUND-UP HALL STAMFORD, TEXAS

Eleanor Howell Circle Studies "Royal Service"

Mrs. W. C. Collins was hostess recently to the Eleanor Howell Circle, WMU, of the First Baptist Church for their study in "Royal Service."

Mr. and Mrs. Sam Reed To Be Honored At Golden Wedding Anniversary Event

Mr. and Mrs. Sam N. Reed, of O'Brien and Knox City, will be honored Sunday, May 5, with an open house from 2:00 until 6:00 p. m. at their home in Knox City...

Members of Parish Here At Abilene Confraternity

Five members of the St. George Catholic Church parish, Haskell, recently participated in a Confraternity of Christian Doctrine workshop at Sacred Heart Catholic Church in Abilene.

Members of Parish Here At Abilene Confraternity

Five members of the St. George Catholic Church parish, Haskell, recently participated in a Confraternity of Christian Doctrine workshop at Sacred Heart Catholic Church in Abilene.

gifts for Mother. Gifts mean a lot to Mother when they come from you! And they will mean even more to her when they come from our store! To make your shopping easier, select her gift from HASSENS! MAY WE SUGGEST... Daniel Green House Shoes, Samsonite Luggage, Leighton, Cardinal, and Cay Artley Dresses, Kayser Lingerie and Gloves, Movie Star Lingerie, Kayser Hosiery, Her Grace Dusters, Ship 'N Shore Blouses, Mojud Hosiery, Camille Dusters.

Mother's Day... Daniel Green SLIPPERS. The nicest way to brighten her day. SLIPPER SHOPPE

Sagerton News

BY MRS. DELBERT LEFEVRE

Sagerton and the community around it had very high winds last Friday afternoon. The Higginbotham Lumber Yard was damaged when the wind took one section of the roof and carried it over in the next block in a vacant lot. Telephone lines were torn down, windows blown out, roofs damaged, chicken houses blown away, and water damaged on the inside of houses where the hard wind blew in around windows. About two inches of rain fell on the average. The rain was heavier north, east and west of Sagerton and was lighter south of town. Some farmers report that they have enough moisture to plant on, and others say it is doubtful, and that we need another slow, soaking rain.

Mr. and Mrs. Porter Lowery of Knox City visited with Mr. and Mrs. M. Y. Benton Sunday afternoon.

ALONE IN THE DARK

When your lighting fails, don't be in the dark about where to find an ELECTRICIAN fast. Look in the YELLOW PAGES, where YOUR FINGERS DO THE WALKING

Mrs. Cecil Polk and children of Fort Worth came Saturday to get Mrs. Leta Polk, who had been visiting here with her sister, Mrs. Etta Leach.

Mrs. Eula Mae Magnus of Friona is here visiting with her parents, Mr. and Mrs. Oscar Gibson, while her mother is recovering from surgery at the Stamford Hospital.

Roland Stegemoeller of Slaton visited here with relatives Friday while Mrs. Stegemoeller was attending a meeting of the WOC at Trinity Lutheran Church in Haskell.

Mr. and Mrs. Oscar LeFevre of Tolar, Texas visited with Mr. and Mrs. Cliff LeFevre on Thursday while en route to New Mexico to visit Mrs. LeFevre's mother.

The boys of Den I, Pack 39,

of the Cub Scouts and their parents attended the Scoutmaster's Conference Saturday. The boys in the Den are: Kenneth and Terry Stremmel, Ricky Lehmann, Lee Whitley, Kent LeFevre, Clayton Stegemoeller, Joe Ramos, and Tim Schefel. They are in their second year as Cub Scouts. Right now they are busy making Mother's Day gifts.

Karla Michele Kupatt, infant daughter of Mr. and Mrs. J. D. Kupatt, was presented in baptism in St. Paul's Lutheran Church Sunday.

The home of Mr. and Mrs. C. C. Bredthauer was the scene of a meeting of the Golden Age Club Sunday afternoon.

Several members of the Women of the Church of St. Paul's Lutheran Church attended the meeting of the women of the Northwest Conference at Trinity Lutheran Church Friday of last week. Next Sunday the men of the church are invited to attend a Brotherhood Conference Rally at Christ American Church in Odessa, at 2:30 p. m.

Mr. and Mrs. Virgil Vahlenkamp and children of Abilene and Mr. and Mrs. Franklin Mrazek and family of Aspermont visited Mr. and Mrs. Leo Monse, Sr., Sunday.

Mr. and Mrs. Dick Gibson of Idalou and Mrs. Charles Bitgood of Lubbock were here last week-end to visit Mrs. Oscar Gibson and Mrs. G. A. Lambert, who are both patients at the Stamford Hospital.

In last week's paper, I stated that B. L. Ross would be going to Alabama after his furlough is finished, but he will be going to Georgia to resume his Army training.

(Delayed) Mrs. B. Hess entertained the members of Stitch and Chapter Club in her home Wednesday, April 17. Business was conducted by Mrs. Ewell Kittley, president. Mrs. Pete Kittley had the devotional reading, and a prayer was offered by Mrs. G. A. Leach. Other members present were Mrs. Will Edmond, Mrs. J. A. Clark and Mrs. M. Y. Benton of Sagerton, and Mrs. Leta Polk of Eddy was a guest.

Mrs. R. O. Gibson Sr. is a patient at the Stamford Hospital, where she underwent surgery Monday.

Mrs. G. A. Lambert was taken to the Stamford Hospital Sunday evening when she became ill at her home here. Her son, Rueben, of Idalou, and her daughter, Mrs. Haskell Sandefer of Killeen, rushed to her bedside when they heard she was ill.

Mr. and Mrs. Winston Ulmer of San Antonio came after their little son, Brad, Sunday. Brad had been spending the week with his grandparents, Mr. and Mrs. F. A. Ulmer.

Mr. and Mrs. Dick Gibson of Idalou were guests in the home of Mr. and Mrs. Ewell Kittley over the weekend. They also visited with Mrs. Oscar Gibson in the Stamford Hospital and with Mr. Gibson.

Linda LeFevre, daughter of Mr. and Mrs. Delbert LeFevre, and a Rule High Senior, won first place in Girls' Singles at the Regional Interscholastic League Tennis Meet in Stephenville last weekend. She defeated her opponent in the final match 6-1, 6-1. She will represent Region II-B at the State Meet on May 3 and 4.

Mr. and Mrs. Delbert LeFevre went to Stephenville last weekend to see Linda play. Miss Irene Stewart and Mrs. Delbert LeFevre, co-chairmen of the American Cancer Society drive, made a house-to-house canvas Tuesday evening with the help of the Junior students of Sagerton School. They were unable to see every one, so if there are any contributions out, please contact:

Yeary Explains Brush Control Tactics, Measures

The control of mesquite has proven to be an effective way of bringing about desired improvement of native grasslands, according to J. C. Yeary, Jr., Work Unit Conservationist of the Haskell Soil Conservation Service.

The most economical way, Yeary stated, is by aerial application of chemical herbicides such as 2-4-5 T. The average cost for Haskell County for spraying an acre of mesquite brush is \$2.90. Each producer desiring to do so, Yeary said, can receive cost-share assistance through the County AC Program.

Applications for cost-share assistance are now being taken by the Haskell County ASCS Office according to Office Manager W. L. Feemster. However, the County ASCS Committee has not yet set the effective date for starting of the program, but it is expected to be soon after May first.

To get the most effective kill from aerial spraying, Yeary stated, the leaves of mesquites should be a dark, waxy green rather than the light, lacy color which is now prevalent. The wind velocity must be less than 10 miles per hour. The required dosage is one-half pound of 2-4-5 T in one gallon of diesel fuel and enough water to make four gallons per acre. The soil moisture should be sufficient to allow 30 days of vigorous growth prior to application.

During 1962, approximately 2300 acres of mesquite brush was controlled in the Haskell Work Unit area, Yeary concluded.

one of them soon. B. L. Ross, who has just completed basic training with the U. S. Army at Fort Polk, La., is here on furlough with his parents, Mr. and Mrs. Barney Ross. He will report back to Camp Gordon in Alabama at the end of his furlough.

Mr. and Mrs. Charles Clark and son, Bob, went to Big Spring Monday to visit Howard County Junior College, where Bob thinks he might enroll. They also visited with Mr. and Mrs. Eldon Cook and family.

Easter Sunday guests in the home of the Bill Hertels were: Mr. and Mrs. Lynn Martin and Monty of Rule, Mr. George Martin of Portales, New Mexico, and Miss Annette Holman of Lubbock, and Sandra and Sammy Henderson of Stamford.

The Zion Lutheran's Missionary League has a project to a worthy cause, give to any of saving Gold Bond Stamps. Anyone wishing to give stamps of the members of the society.

Ground-breaking services for the new parsonage were held Sunday morning before the worship service at St. Paul's Lutheran Church with the pastor Fred Scheffel in charge of the service and A. C. Knipping, president, breaking the ground. The new parsonage will be located west of the church, and the old parsonage will be converted into Sunday School classrooms. Work on the new parsonage will start next week.

Pastor Fred Scheffel, who was chosen Bible Study leader for the Leadership Training School for Luther Leaguers to be held at Lutheran Camp Chrysalis at Kerrville August 12 through 17, left Monday for Wisconsin where he will attend the LTS Briefing School.

Junior High P-TA Hears Coach, Votes Room Prizes

"How Fit Are Our Children," was the subject discussed by Coach A. J. Viertel at the April meeting of the Junior High School P-TA.

Introduced by Mrs. Ed Heister, Coach Viertel declared that the physical program in school serves as an outlet for the students' emotions. He reported the tremendous progress which can be made in a physical fitness program in a four-month period, and described the types of exercise practiced.

Tumbling, lifting weights and climbing ropes were demonstrated by the following students: Charles Chapman, Mike Bland, Bobbie Black, Eddie Heister, Billy Jo Macias, Kenny Miller, Eddie Smart, and Trent Morrison.

Mrs. Fred Brown, president, urged a representative turnout at the district P-TA convention in Hamlin. The following teachers were awarded a \$2.50 room prize for exemplary attendance during the year: Mrs. Opal Nanny, Coach Viertel, Mrs. Scott Greene, Mrs. Gladys O'Neal, and Mrs. Herman Henry.

Junior High Principal Hubert Bell also attended the meeting.

Rule Coach Estep Is Scholarship Selectee At OSU

Jerry E. Estep, teacher and head coach at Rule High School, has accepted a summer scholarship to Oklahoma State University, Stillwater. He will attend June 10th through August 3, and will study methods of teaching mathematics as set out by the School Mathematics Study Group, a National Science Foundation supported organization.

Estep also is enrolled in a S. M. S. G. mathematics course at Abilene, sponsored by the Texas State Teachers' Association.

He is a graduate of Trent High School. He attended San Angelo College one year, then received a B. S. degree from Texas Tech. He also has done graduate work at West Texas State College at Canyon. This is Estep's second year at Rule.

Weinert Girl's Husband Recipient Of Service Award

The husband of a Weinert girl, Staff Sergeant Malcolm E. LeMay, a native of Staunton, Indiana, has been awarded the Strategic Air Command's Certificate of Educational Achievement at ceremonies at Benguerif Air Base, Morocco, according to word received here.

Sgt. LeMay, whose wife is the former Sharon Caddell, of Weinert, was selected for the award in recognition of his participation in the USAF off-duty education program.

He is the son of Mr. and Mrs. Clifford LeMay, of Staunton, Ind.

NOTICE TO NOTARY PUBLICS

Secretary of State Crawford C. Martin announced that all qualified Notaries Public desiring re-appointment for the new term ending June 1, 1963, must re-qualify by the pay-



When you need help...fast



WE PUT OURSELVES IN YOUR SHOES WITH P.S. *Personal Service Cahill-Duncan Insurance

306 N. First Phone 861-2646 HEADQUARTERS FOR AETNA CASUALTY INSURANCE

ment of the required fee and the filing of a new oath and bond with the County Clerk of his residence between June 1, 1963, and June 10, 1963. Martin emphasized that Notaries Public should not send requests for re-appointment or for commissions directly to the Secretary of State. The law specifically requires that the County Clerks approve notary bonds.

Any person not now a Notary Public who desires appointment should apply to his County Clerk between May 1, 1963, and May 20, 1963. Application during this period will assure prompt attention before the rush procedure of reappointing present Notaries.

The Secretary of State further pointed out that each person applying for a commission as a Notary Public must be at least 21 years of age, a resident of the State of Texas, and furnish the name and address of the person who has furnished the bonds.

FIX-UP YOUR HOME

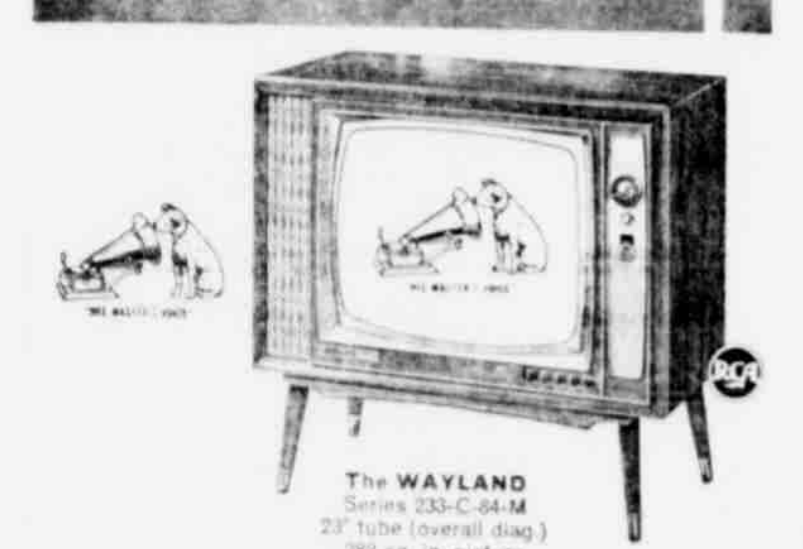
REPAIR! REMODEL! ADD-ON! — With the Purchase of — ONE or MORE GALLONS — of — Sterling Protalk or Super Masque Inside Paint

We Will Give Absolutely F-R-E-E ONE 5-QUART PAIL PAINT PALE — In Pastel Colors —

KENNEDY LUMBER CO. 106 N. E. First Phone 864-2861

First Baptist Church Ray Nobles Invites You TO WORSHIP SUNDAY 11 A. M. - 7:00 P. M. "A GOING CHURCH FOR A COMING LORD" 301 North Ave. E—Haskell, Texas

Come in and say: "Show me!" RCA VICTOR New Vista TV



Most powerful, most dependable TV in RCA Victor history!

- SHOW ME Aluminized Full-Picture tube with bonded-on safety glass
SHOW ME Super-powerful "New Vista" Tuner
SHOW ME Brilliant "Golden Throat" tone
Power Boosted Magic Monitor Chassis
Precision-crafted Security Sealed Circuit Boards for extra dependability

HUNTINGTON'S FRAZIER'S APPLIANCES WEST SIDE OF SQUARE PHONE 864-3756

THIS CAN KILL YOU! Be Careful, Not Careless PROTECT YOUR FAMILY AGAINST FIRE IN THE HOME Insurance is The Best Policy W. I. (SCOTCH) COGGINS PHONE: 864-3301 Off. Home 864-2843

TOTAL PERFORMANCE: IF YOU KNEW WHAT HE KNOWS...YOU'D BE DRIVING THE 1963 TOTAL PERFORMANCE... Ford is traditionally the nation's Number One police car... The reason: Total Performance!

This Week's BEST

FOOD BUYS

YOUR DOLLAR BUYS
MORE IN AN
M-SYSTEM
STORE

Everyday low price
STRAWBERRIES 10 oz. pkg. frozen **15c**

Large size Swedish Anchorglass
WATER PITCHER each **59c**

M-System Everyday low price
COKE 6 bottle carton plus deposit **29c**

Everyday Low Price
SCOT TISSUE
Asst. colors roll **10c**

Del Monte
TUNA
can **25c**

Del Monte
CATSUP
14 oz. bottle **19c**

Everyday Low Price
Cracker Barrel
CRACKERS
1 lb. box **15c**

ELLORINE Swift's Finest 1/2 gal. **29c**

LOUR Big K 25 lb. bag **\$1.69**

ORTENING Kimbell's 3 lb. can **49c**

EA Lipton's 1/4 lb. **39c**

EA BAGS Lipton's 16 count **23c**

Everyday Low Price
Folger's
COFFEE
lb. **59c**

Everyday Low Price
Maxwell House
COFFEE
lb. **59c**

Everyday Low Price
Maryland Club
COFFEE
lb. **59c**

Everyday Low Price
Kimbell's
COFFEE
lb. **49c**

Pace Gold Crown
BACON 2 lb. pkg. **89c**

SAUSAGE Pace Pure Pork 2 lb. pkg. **79c**

FRANKS 3 lb. pkg. **98c**

OLEO Everyday low price lb. **10c**

HAM Cured Center Slices lb. **79c**

Swift's Frozen
SPARAGUS 2 for **29c**

Swift's Frozen
CCOTASH 2 for **29c**

Tomato Juice Kimbell's 46 oz. can 4 for **98c**

EA Kimbell's 1/4 lb. **29c**

Kraft Tasty Loaf
CHEESE SPREAD 2 lb. box **69c**

Kimbell's Can
LUNCHEON MEAT **39c**

VIENNA SAUSAGE **19c**

Tomato Sauce Del Monte 3 for **29c**

M-SYSTEM GARDEN FRESH PRODUCE

Arizona Valencia
ORANGES
lb. **15c**

Fresh Valentine
GREEN BEANS
lb. **15c**

Texas Fresh Dug
NEW POTATOES
2 lb. bag **15c**

Garden Fresh
GREEN ONIONS
bunch **3c**

"M" SYSTEM SUPER MARKET

THESE PRICES EFFECTIVE MAY 1-2-3—HASKELL, TEXAS

RESERVE
RIGHT TO
LIMIT QUANTITIES

News from Weinert

By MILDRED GUESS

Mrs. E. W. Kreger, Haskell, is spending a few days with her daughter and family, the J. B. Dumnams, while her new house is being moved from Lubbock. Mr. and Mrs. Ernest Marion, and Connie Ann Davis, Abilene, were other visitors in the Dumnams home this week.

Mrs. Fred Monke left Friday by bus for Columbus, Texas where she will attend the Oak Grove school homecoming and 75th anniversary of the New Bealau Lutheran Church at Weimar, Texas. Mrs. Monke plans to be away a week or 10 days.

Mr. E. C. Lowe was honored

on his birthday Thursday by Mr. and Mrs. Douglas Myers and Diane, Helen, Greg, Mary Kim. He received many cards and best wishes from out-of-town friends. Mrs. Myers baked the birthday cake they all helped the Lowes enjoy.

Mrs. E. M. Owens will enter the hospital in Fort Worth on Sunday and will have surgery Monday. Mr. and Mrs. Bobby Owens will take his mother to Fort Worth. Mrs. J. A. Driggers and Mrs. Sargent Lowe will visit Mrs. Owens Monday and Tuesday.

Mr. and Mrs. Carl Jones and Miss Beatrice Weinert, Houston, were visiting the Weinerts and his brother, Cecil Jones, and friends here this week.

Guests in the E. C. Lowe home during the week were Mr. and Mrs. P. H. Rounton, and Mr. and Mrs. Luther Williams, Goree, and Mr. and Mrs. Melvin Gray, Pecos.

News from Rule

Mrs. FAYE DUNNAM

Mrs. B. J. Riggins introduced Miss Lynelle Maas, bride-elect of Jimmy Riggins, at an afternoon tea in her home on Saturday, April 27.

Mrs. R. E. Colbert of Haskell greeted the guests. In the receiving line were Mrs. Riggins, Miss Maas, Mrs. Harold Maas of LaGrange, and Mrs. Hollis Riggins.

Mrs. John Estes registered the large number of callers. Serving and assisting were: Mrs. Henry Townsend, Mrs. LeRoy Denton, Mrs. E. B. Whorton, Mrs. J. C. Kile and Mrs. J. A. Hertel. The refreshment table was covered with pink organza and satin inserts.

Jimmy Riggins of Texas University spent the weekend with his parents, Mr. and Mrs. B. J. Riggins.

Mrs. Ed Fouts and Lynn, and Mrs. Buddy Bishop and Tammy, are visiting Mrs. Fouts' brother and family in Winnipeg, Canada.

Lauders, Mrs. Bean's daughter, Patty, and her husband, Fenton Smith, of Abilene. A family dinner was served. An arrangement of irises and honeysuckle decorated the table.

Moeller Milestone

Mrs. George Moeller was hostess for a celebration gathering Sunday, April 21, at Irby Hall honoring her husband on his 78th birthday.

Attending were Mr. and Mrs. Steve Kubena, of Munday; Mr. and Mrs. Alton Peiser, and Hughie, of Irby; Mr. and Mrs. G. J. Moeller, Yvonne and Kathy, of Irby; Mr. and Mrs. Felix Klose, Shirley and Linda, Irby; Mr. and Mrs. Walter Moeller Haskell, Mr. and Mrs. Eugene Tichelman, and Larry, Terry and Billy, Sagerton; Mr. and Mrs. Roger Moeller, of Irby; and Mr. and Mrs. T. C. Redwine, and Suzy, of Haskell.

Two children, Mrs. Claud Thompson of Spur, and Edward Moeller, of Stamford, were unable to attend.

Welsh Well-Wishers

Mr. and Mrs. E. E. Welsh, of 207 South Avenue C, were visited recently by their children and grandchildren. Included in the home gathering were Mr. and Mrs. Jerry Welsh of Midland, Mr. and Mrs. Frank Welsh and children, Gary and Terry, of Midwest City, Okla.; Mr. and Mrs. G. R. Morgan, Diane and Glen Robert, Ft. Worth; Mrs. Ellis Linda and Stacey, from

NOW is the Time for . . .

CROP HAIL INSURANCE

48-HOUR WAITING PERIOD

We Represent John Hancock

See Stanley Furrh for your **FARM AND RANCH LOANS**

FURRH'S INSURANCE & REAL ESTATE

Stanley Furrh, Owner
Phone 864-3216
Just Off Lobby of Hotel Haskell

FURNITURE

THIS WEEK'S **SPECIAL**

\$40.00 For your old Living Room Suite when traded in on a beautiful new suite ranging in price from \$189.50 and up.

Boggs & Johnson

East Side Square Ph. 864-2346

Beat the Heat... Save Money, too

WITH QUALITY **AMERICAN-Standard** WHOLE-HOUSE AIR CONDITIONING



Say "stop" to those sweltering nights, scorching days. Here's air conditioning that's "right" for you in two ways. "Right" in the wonderful comfort it gives. "Right" in the big savings you make. You save \$100 to start with... save almost that much more on installation! No big structural changes, no big holes in the wall. Unit hooks right to the furnace—saves on ductwork. Factory assembly saves tubing and refrigerant costs.

Live cool. Sleep cool. Be cool all summer long and for many more to come. CALL US FOR OUR FREE ESTIMATE NOW! **Easy Time Payment Plan.** This equipment is "right and ready" to give you INSTANT COMFORT.

GUINN TIN & PLUMBING

Phone 4301 ★ Box 7
MUNDAY, TEXAS

PLANTING TIME

- Planter Plates & Opening Plows
- Lister Shares & Sweeps, 4" to 40"
- Irrigation Dams - Tubes - Socks and Shovels.
- Irrigation Power Units
- Sand Fighters, 6 & 8 row pickup
- 9 Row Drag, 5, 6 row stalk cutters
- Crust Buster Slides and Rotary Hoes.
- Turbine and Gearhead Oil.
- New 560 LPG PS-TA-2PT-15x38 Tires, \$4675.00.
- KRAUSE Plows & Repair Parts
- 1-M Tractor with equipment, \$1075.00.
- 1-1952 GTB on Butane, \$895.00.
- 16 or 30 H. P. Motor with Boat Trailer.
- Rebuilt Power Units, 36 H. P., \$350.00.

All Types Shop Repairs
Wench Truck, Water Truck Service

EGENBACHER IMPLEMENT COMPANY

Main & Central ★ Phone 658-2761
—KNOX CITY—

Weekend guests in the home of Mr. and Mrs. M. R. Boykin were Mr. and Mrs. Raymond Boykin, Vernon, and Mr. and Mrs. Don Wilkerson, and Sherry Ann, Albuquerque, N. M.

Airman and Mrs. Pete Assad and Tommy, Wichita Falls, have returned home from a two weeks trip to California, where they visited his mother at Glendale, Mrs. Kay Burke. Mrs. Burke returned home with her son and family for a month's visit. They are stopping at the home of Mrs. Assad's parents, Mr. and Mrs. E. S. McGuire, for a few days.

Mr. and Mrs. A. D. Bennett and son, J. B., visited relatives in Hale Center last weekend and brought Mrs. Bennett's sister, Miss Jew Williams, home with them for a two-weeks visit.

Mr. and Mrs. Bob Tipton, Linda, Bob and Jenny, Mr. and Mrs. M. W. Phemister, and Mr. and Mrs. David Phemister, attended the preachers luncheon at Rule Bluebonnet Cafe, last week. Bob Tipton spoke on life in Argentina, where he has spent the last two years as a missionary for Merkel Church of Christ.

Lorenzia Sparkman and sons, David and Mike, Amarillo, visited his aunt, and uncle, Mr. and Mrs. W. A. Tanner, Sunday.

Mr. and Mrs. Jimmy Jenkins went with their daughter, Mrs. Jim Turpin, Abilene, to visit three other daughters, and the families, Mrs. Jimmy Gilbert, Midland, and Mr. and Mrs. Thomas Dewey and Mr. and Mrs. Joe Strobel, Seminole.

Mr. and Mrs. Cecil E. Jones, Billy and La Christia Ann, of Abilene, spent Friday and Saturday with his parents, Mr. and Mrs. Cecil Jones.

Mr. and Mrs. Dale Jones are announcing the arrival of a son, Bruce Wayne, born April 17, at Dallas and weighing 9 lbs., and 5 oz. The Joneses have a daughter and two other sons. Grandparents are Mr. and Mrs. Cecil Jones, and Mr. and Mrs. W. W. Peterson, Chicago, Illinois.

Pvt. Howard Liles, who has been stationed at Fort Polk, La., is at home on leave and will be stationed at Fort Sill, Okla., after two weeks.

Mrs. Hale Alderman, Cindy and Dana, Wichita Falls, will spend part of the week with her parents, Mr. and Mrs. W. B. Guess, while Capt. Alderman is in Houston.

WANT A BARGAIN: Buy Carter's Rubber Cement in pint containers at The Haskell Free Press. 174p

PROMOTE YOUR GRAD TO A NORELCO SHAVER



Rescue him from razor blades and "clipper type" electric. Norelco rotary blades, the Third Way to Shave, stroke off whiskers close, clean.



NORELCO
"Floating-Head" Speedshaver 30 (AC/DC 110-220 volts) SC7960
• "FLOATING-HEADS" swivel to hug every curve of the face



NORELCO
"Flip-Top" Speedshaver 20 (AC/DC 110 volts only) SC7920

BUY **Norelco** AT:
NORTH AMERICAN PHILIPS COMPANY, INC.
100 East 42nd Street
New York 17, New York

EVERYONE'S TALKING ABOUT OUR food savings




KIM TOILET TISSUE	10 ROLL PKG.
KIMBELL'S PRESERVES PEACH OR APRICOT	18 OZ. JAR 2 FOR 50c
STAWAX	8 OZ. SIZE 70c
HUNT'S TOMATO CATSUP	BOTTLE 17c
SUNDAY PUNCH FROZEN ORANGE DRINK	2 FOR 25c
FRESH CORN	4 FOR 25c
RED POTATOES	10 LB. BAG 35c
MARYLAND CLUB COFFEE	2 LB. CAN 99c
KIMBELL'S PICKLES SOUR OR DILL	48 OZ. 49c
INSECT TRAP GOOD TO USE ON PATIO	REG. \$15.95 \$12.95
CRISCO	3 LB. CAN 79c

WATCH —FOR— BONUS Green Stamps EVERY WEEKEND!



S & H GREEN STAMPS will be given on Accounts Only WHEN Paid in Full On, or Before Due Date.



MEATS

WILSON'S CERTIFIED — HAMS	3 lb. can \$2.49
WILSON'S CERTIFIED — BACON	lb. 49c
WILSON'S GOLDEN BRAND OLEO	lb. 1.29
LONGHORN CHEESE	lb. 49c

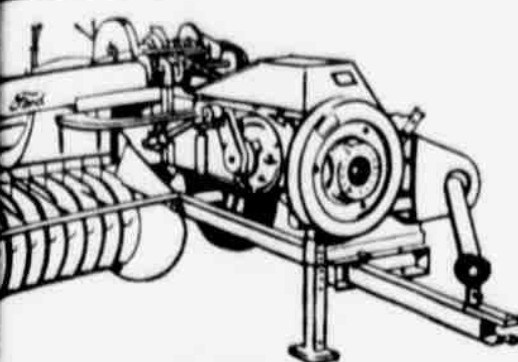
GHOLSON GROCERY

Phone 864-2929-We Deliver

AD SECTION

Insertion without Minimum

Plymouth 2-door air conditioning overhaul street, 6:00 and 8:00 through Saturday 17-19p



FORD HAY BALER

Bales up to 10 tons per hour... minute in average conditions.

Hay—Full-floating pick-up lifts wind-gently, with less leaf loss.

Reliability. Few working parts and many friction bearings keep baler on the go.

Bales. Turns out firm, well-tied bales to handle and stack.

or engine drive...twine or wire tie...

Easy "Pay-As-You-Farm" Terms!

WOODARD FARM SALES

1100 N. 1st Ph. 864-2401

POGUE GROCERY



POTATOES 10 lbs. **29c**

SQUASH lb. **9c**

ONIONS lb. **5c**

KLEENEX box **34c**

TOILET TISSUE pkg. **22c**

WIPERS box **31c**

PAPER TOWELS 2 rolls **39c**

PORK CHOPS lb. **39c**

Fresh Store Made

SAUSAGE 2 lbs. **79c**

Armour's All Meat

BOLOGNA 2 lbs. **79c**

Armour's (Ready to Eat)

Summer Sausage lb. **49c**

No. 1/2 Star Kist

Chunk Tuna 3 for **79c**

Fleecy White

BLEACH quarts **18c**

No. 2 1/2 Hunt's (Halves or Sliced)

Peaches 4 for **\$1**

Plastic Bottle

PUREX 1/2 gal. **39c**

Alaskan Frozen

SHRIMP box **49c**

10 oz.

STRAWBERRIES 4 for **79c**

Our Darling (White or Golden)

CREAM CORN 3 for **49c**

Duncan Hines Angel Food

Cake Mix for **44c**

12 oz. Liquid

Trend 2 for **49c**

Regular Dry

Trend 2 boxes **33c**

No. 3 Squat Evangeline Whole

Sweet Potatoes 2 cans **49c**

BUSINESS SERVICES

CLEAN OUT your septic tanks or grease traps. We have the equipment to serve you. Day or night call UN 4-3043. Otho Nanny Plumbing. 331fc

LET ME do your refrigerator-freezer service and repair. Gaskets, gas, parts for all makes. Guaranteed service—Contact Gene Long at Boggs & Johnson Furniture, or call 864-2806 day or night. 491fc

EXPERT Watch repairing. All work fully guaranteed. W. A. Lyles Jewelry. East side of Square, Haskell, Texas. 71fc

MISCELLANEOUS

FOR SALE: New three-piece luggage set. Will sell at a reasonable price. Contact Mrs. Barney Frazier Radio Shop. 181fc

FOR SALE: Quanaah catfish bait, worms and live minnows. 1003 N. First Street, on Rule Highway, Haskell. 18-21p

STRAYED OR STOLEN from my place on North 1st, one female bird dog, brown & white. Answers to name Dot. Reward E. J. Stewart. Phone 864-2514 or 864-2356. 18-19c

FOR SALE: Floor length pink formal, size 11, worn one time by college girl. Half of original price. Call 864-2953. 17-18p

FOR SALE: Aspen Wood Air Conditioner Pads. Gilmore Implement Company. Telephone 864-2011. 16-19c

FOR SALE: Good outside white paint, \$2.95 per gal. Trade Center, Throckmorton Highway. 131fc

HOUSEHOLD ITEMS

FREE loan of carpet Shampooer with Blue Lantre purchase or rent electric shampooer. Sherman's Floors & Interior, Haskell. 18c

FOR SALE: 1 bedroom suite, 1 recliner chair, six lots for \$750.00. Call 864-3036. 16-19p

FOR SALE: One ton RCA refrigerated air conditioner, in excellent condition. Phone 864-3196. Hughey Bledsoe. 121fc

FOR SALE: T. V. antenna. Phone 864-3146. Mrs. H. Hisey. 91fc

FOR SALE: Posts, all kinds. H. A. Privett, one mile east of square. Phone 864-3329. 481fc

WANTED

WANTED: Lawn mowing. Call 864-2922 or come by 1007 North Ave. F. Price goes by size of yard. 18-19p

WANTED: Point Manager for O'Brien. Salary to compensate with experience. United Industries Company, Anson, Texas. 171fc

WANT TO BUY Wringer type washing machines. Trade Center, Throckmorton Highway. 191fc

WANTED: Middle aged Christian lady to care for young children in my home, and do light house work. Mrs. Clinton Kimbrough, Route 3, Haskell, Texas. 11c

WANTED: Waitress. Apply in person, Shamrock Cafe, Munday, Texas. 18c

WANTED: Garden plowing with rototiller and general yard work. Call 864-3019. 14-17p

PROFESSIONAL SERVICES

WHEN in need of a Veterinarian, call Dr. W. H. Stewart, 6861, Munday, Texas. 41fc

Magnifying glasses now available at The Haskell Free Press, from \$1.80 up to \$4.75. 201fp

Panhandle Hail Assn. Rates

Amarillo, Texas

Non accessible and Re-insured with Lloyd's of London.

WHEAT

The only policy in Texas with the "Extra Harvest Expense Award"—48 Hour Waiting Period.

Knox County	Haskell County
Gen. Form \$8.00	Gen. Form \$7.00
10% Deductible ... \$5.00	10% Deductible ... \$5.00

Panhandle Special Cotton

The only policy available with 25% coverage from stand date (regardless of calendar date) to the 15th day, then increases 5% each day, making complete coverage when cotton is 30 days old.

Knox County	Haskell County
Gen. Form \$10.00	Gen. Form \$7.00
10% Deductible ... \$7.20	10% Deductible ... \$5.00

This policy can be switched to Replant Policy in the event the farmer fails to get an early stand. 24 hour waiting period if the policy is written before cotton is up. Otherwise 48 hours.

FB10 (6% Replant)

25% coverage beginning May 26th till June 9th. Increasing 10% a day—full coverage at noon June 16th. Both the special and FB10 policies are adjusted by the old percentage method counting 100 stalks of cotton and paying the loss on the number of stalks damaged.

Knox County	Haskell County
Gen. Form \$6.80	Gen. Form \$6.40
10% Deductible ... \$4.90	10% Deductible ... \$4.00

BROADFORM (8% Replant)

Full coverage June 10. Using Plant Population adjustment

Knox County	Haskell County
Gen. Form \$6.20	Gen. Form \$6.30
10% Deductible ... \$4.50	10% Deductible ... \$4.00

GLOBE EQUITABLE INSURANCE CO.

FORT WORTH, TEXAS

Full coverage June 16th—(8% Replant) Using Plant Population Adjustment

Knox County	Haskell County
Gen. Form \$5.60	Gen. Form \$5.35
10% Deductible ... \$3.75	10% Deductible ... \$3.35

LEO FETSCH, Agent

PHONE 2586—MUNDAY, TEXAS

Registered **PUBLIC SURVEYOR** County Surveyor **O. H. BARTLEY** Phone 888-2454 SEYMOUR, TEXAS

Accordion Lessons Accordions furnished Free. **Mrs. Mildred Burns** Haskell Music Center 806 S. Avenue F

SPECIAL ONLY 5 LEFT

Clanton Mowers—22 inch, 2 3/4

H. P. Motors for only **\$39.50**

KELSO'S

106 South Avenue H Phone 864-3350

Smart Laundry

Speed Queen Automatics Wet Wash, Rough Dry You wash & We'll Dry Pick-Up and Delivery Phone 864-2441

This Area's Most Popular... **DRIVE-IN THEATRE** On Hiway 277 STAMFORD

FRI. - SAT., MAY 3-4 —2 Features—

WALT DISNEY'S MOON PILOT

Plus This Hit

THE THREE STOOGES IN ORBIT

3 DAYS STARTS SUNDAY

"Operation Bikini"

Tab Hunter

"A Sablazo Limpio"

All Spanish Hit

FARM & GARDEN SEED

FOR SALE: DeKalb Hybrid Seed: maize, sudax, hegari, corn, cane and cotton. Ken Lane, 1006 N. Ave. J. 864-2597. 151fc

NOTICE: Candle Trees are now ready. Good time to set out. S. W. Kelso, Telephone 864-3350. 18-19c

PLANTS: We have pepper, petunias, tomato, verbena, snapdragons, carnation and various other plants ready to go. See us for your needs. Trice Hatchery. 18-19p

FOR RENT

FOR RENT: Cool, 2-bedroom house. New linoleum on all floors. S. W. Kelso, Telephone 864-3350. 18-19c

FOR RENT: 3 bedroom home, 507 N. Ave. L. J. M. Harrell. Telephone 864-2282. 18-19p

FARM IMPLEMENTS

FOR SALE: One brand new Farmall Tractor, 504 diesel for \$3500.00. Phone 3831. Box 467, Aspermont, Texas. Fleming Equipment Co. 18-19p

FOR SALE: One new John Deere Tandem Disc with power lift; 1 two-bale cotton trailer; 1 18-inch two-bottom mold board plow and one 8-room house to be moved. Joe Bailey King, Munday, Texas. Phone 4531 or 5011. 17-18p

REAL ESTATE

FOR SALE: 160 acres land small wells. 160 acres plenty of water. Choice small farm, plenty of water. Close in to Munday. For information, see D. E. Holder, Munday, Texas. 16-19p

