



MUENSTER ENTERPRISE

VOLUME XVIII

MUENSTER, COOKE, COUNTY, TEXAS

FEBRUARY 26, 1954

NUMBER 14

It's difficult to understand what logic there is, if any, in the lambasting being directed this week at Senator McCarthy by some of the country's high government officials and leading commentators. The man performs a valuable service in discovering a communist in the army only to find that the top brass, rather than support him in bringing the traitor to justice, sets up every sort of official road block to stop the investigation.

From the very beginning the affair reeks. After the spy was discovered and a report was sent to the proper authorities, the fellow received an honorable discharge rather than a summons to appear for court martial. Such a development ought to raise a question in any reasonable person's mind. When an enemy of the country, a man dedicated to the overthrow of our government, worms his way into the armed forces, common sense dictates that he be regarded as a spy.

It is understood of course that a charge is still a long way from conviction. The fellow is entitled to a trial which will either clear his name or sentence him to just punishment. But here is a case in which the top brass goes the limit to prevent a trial. Why? That's something you and I would like to know. Should anyone be surprised that McCarthy also wants to know?

Naturally, there's only one inference to be drawn from that set of circumstances. Apparently somebody higher up was in cahoots with the guy. So the higher ups are questioned and they turn out to be just as uncooperative as the first guy. The investigation leads right up to the Secretary of the Army.

Of course nobody is going to claim that Secretary Stevens is a subversive. But everybody has a right to ask what sort of tangled, messy circumstances exist somewhere between the lower and top level of command, which require the secretary to cover up for a man who is charged with treason.

It begins to seem as though this is just another version of the kind of mess that was exposed several years ago. The big boys realize they have been played for suckers so they try every possible means to keep their boners from being exposed. The pattern was clearly evident in the Hiss, Lattimore, Chambers, and White cases ... and several more. The administration was plenty embarrassed. Could be the army is also worried about red faces.

If so, we can try to understand that they are only exercising a very human trait, but at the same time we find it mighty hard to excuse them. It's a pretty shabby standard of integrity to protect a scoundrel in order to keep one's own mistakes hidden.

Yours truly has a feeling that one or several persons will regret this affair some of these days ... and it will not be the senator from Wisconsin. When all the facts are known we'll probably find out that somebody was dumb twice, once in the original boner, once in trying to cover up.

During the several years that McCarthy has been digging out the communists he has established one fact for sure. When he makes a charge he makes it stick. There hasn't been a time yet that he failed to prove his case when permitted to go on with the investigation. And it's a safe bet that his case is just as solid this time.

While agreeing with some who claim that our top officials should not be humiliated, this column maintains that McCarthy has an equal right not to be humiliated.

It further maintains that from the way this thing started he did not deliberately set out to put the high brass on the spot. He started his case with a red punk who in your opinion and mine is a plain criminal. He did not choose to butt heads with the top men. What developed was the result of their own refusal to cooperate. Isn't it rather ridiculous after that to expect him to drop the case, as if he were wrong in the first place?

On the other hand, did he humiliate any person by asking him to testify in the case? A subpoena might be considered as humiliating, yes. But remember, a subpoena is issued only after a request has been ignored. And

City Sets April 6 For Election Date

Members of the City Council this week designated April 6 as the date for election of two city aldermen, in the positions now held by George Mollenkopf and John Wieler. Deadline for filing candidacies is Saturday, March 6.

Mollenkopf, alderman of Position 1 was elected last year to fill the unexpired term left by the death of Ben Seyler. He has announced his candidacy for reelection. Wieler, occupant of Position 2, has not stated up to this time whether he intends to seek another term.

14 Seniors Attend ETSC Career Day

Fourteen of Muenster High School's fifteen Seniors were among the 1500 seniors from 28 North and East Texas high schools attending the fifth annual citizenship and career conference at East Texas State College last Friday.

Principal speaker for the conference was Ed Gossett, general attorney for Southwestern Bell Telephone company, who discussed "Citizenship." In his address he stated, "Because we Americans own six per cent of the world's land, make up five per cent of the world's people yet own 50 per cent of its wealth, we must recognize our trusteeship."

"We have the highest degree of learning, the highest social scale and the best system of government of any nation, and it is important that we continue to value that inheritance," he added.

Adults attending the local seniors on their trip were Franklin Farmer and Mesdames Gene Nelson, Clarence Hellman and Bernard Wolf.

WITH THE MEN IN SERVICE

Ten Day Leave

PFC Emmett Walterscheid is at home on a ten day leave from his M.P. duties at Fort Bliss, visiting his parents.

Three Day Pass

Cpl. Henry Grewing of Fort Bliss had a three day pass and spent the weekend here with his parents and family.

Weekend Visitor

PFC Johnny Fisher of Fort Hood was a weekend visitor with his parents, the J. A. Fishers.

Settled For Training

Muenster's last six army volunteers are now settled for training at Fort Bliss. The boys are Larry Walterscheid, Willard Hartman, Damien Hellman, Johnny Jones, Roger Wolf and Donald Lehnerz. They all have the same address: Btry. B, 8th Trng. Bn., AAA-RTC, Fort Bliss, Texas.

Back Home A Civilian

PFC Victor Koelzer is back at home with a discharge from the army after serving two years, 18 months of which he spent in Germany. He returned to the states on Feb. 16 and flew from Camp Kilmer, N. J., to Camp Chaffee, Ark., then had a five day visit here with his parents, the Pete Koelzers, before going back to Chaffee to get his discharge.

Assigned To Motor Pool

Pvt. Mike Driever is settled at Augsburg, Germany, where he has been assigned to his company's motor pool as a mechanic. He likes his work in particular and the country in general he wrote in a recent letter home.

At Home For Weekend

Cpl. Edward Starke was home for a weekend visit while he had a three day pass from Fort Hood.

Flies To Bermuda

The Joe Hoenigs have a card from their son Aic Rupert Hoenig written while he was in Bermuda. He made the trip on a KC-97 and helped refuel B-46 planes enroute to Africa. The refueling is done in the air. Rupert is based at Barksdale AFB, La.

Has Marine Discharge

James Bayer has returned to Muenster after receiving his discharge from the Marines in San Francisco. After serving in the states he was on duty in Hawaii and Japan.

145 Attend NCCW Quarterly Meeting

Members of Saint Mary's parish, Gainesville, were hostesses Thursday for the quarterly meeting of the Sherman Deanery, National Council of Catholic Women which was attended by 137 women of the 12 parishes in the deanery and eight members of the clergy.

Principal speakers on the program were Rev. Thomas Weinzapfel of Dallas who gave a talk on The Press, particularly the Texas Catholic with which he is associated, and Msgr. Don A. Hartnett of Fort Worth who spoke on "Vocations" and showed a film on the life of a priest. The film was made at St. John's Seminary in Little Rock, Ark., and presented a story that began with a young man's entry into the seminary through the years to his ordination.

Rev. Walter Bojniewicz of Denton, deanery moderator, led the opening prayer and at the close of the meeting gave his farewell address. He is being transferred to Texarkana. Mrs. Joe Bauer, president of the host parish, welcomed visitors.

Rev. Herman Redder, pastor of St. Mary's, introduced members of the clergy: Msgr. Hartnett, St. Mary's parish, Fort Worth, Rev. John Untereiner of Pilot Point, Rev. Anthony Gujda, Valley View, Rev. Thomas Weinzapfel, Rev. Christopher Paladino of Muenster, Rev. William Lane of Gainesville, and Father Walter.

Music was furnished by women from St. Charles parish, Gainesville.

Greenville, a new affiliate of the Sherman deanery was represented at the meeting along with representatives from the 11 other parishes: Sherman, Denton, Pilot Point, Valley View, Whitesboro, Lindsay, Muenster and two parishes from Denison and Gainesville.

Meeting was held in St. Mary's Hall and after adjournment Benediction of the Blessed Sacrament was given by Father Redder in church.

Mill Installs Scale For Heavy Trucks

Work started Tuesday on the installation of a 50 ton scale at the Muenster Mill. The unit, with a platform measuring 45x10 feet, will be just north of the mill.

Arthur Felderhoff, owner, says the scale is being put in to meet a long felt need in Muenster. There isn't a scale in town that will weigh a long trailer truck. Anyone wishing to weigh a big load of grain or hay had to drive to a neighboring town. The big scale will offer a valuable service to community farmers as well as the mill.

Scouts Participate In Dallas Program

Eighteen Muenster Boy Scouts participated in ceremonies held in Dallas Sunday and three of the troop received Ad Altare Dei medals when the Most Rev. Bishop Thomas K. Gorman presented the medals, highest award a Catholic Boy Scout can receive, to Scouts of the Dallas-Fort Worth diocese. Some 400 Cubs, Scouts and Explorers, their den mothers and scoutmasters participated in the program which began at 3:30 in Sacred Heart Cathedral.

Melvin and Eugene Schoech and Gerald Pels of Troop 664 were the Muenster Scouts honored. Their parents, Messrs. and Mmes. Andrew Schoech and Ed Pels attended the services.

The troop and Scoutmaster Father Patrick made the trip in a school bus and enroute home stopped at Love Field to watch the planes come in and take off.

WOLF SISTERS APPEAR ON OPTIMIST PROGRAM

Charlotte and LuRen Wolf entertained the Gainesville Optimist club last Thursday with a musical program. Charlotte, eight-year-old vocalist, presented several popular selections and her sister accompanied her at the piano.

The girls' parents Mr. and Mrs. Lou Wolf were also guests at the luncheon.

Charlotte has been making public appearances since she was three. This year she helped with several shows to raise funds for the March of Dimes.

Seven Local Men Join Marine Corps

Seven Muenster young men have enlisted in the U. S. Marine Corps and will leave March 8 from Dallas for San Diego, Calif., to begin 10 weeks of boot training at the Marine Corps Recruit Depot. Those who volunteered are John David Meurer, Pat Stelzer, Herbert Otto, Merlin Joe Evans, Eugene Luke, Jerry Hoenig and Maynard Williams.

This is the largest exodus of enlistees since January 1951 when eight were volunteers for the air force, and tops January's record by one. Cooke county's first draft call of 1954 for ten men consisted of six local volunteers.

Another Muenster boy who enlisted the service recently is Clyde Muller. He left Tuesday for a three year stretch in the regular army.

Provincial Meets With Third Order

Members of the Third Order of St. Francis Friday will close a triduum conducted by Rev. Elias Coppert, provincial of the order from Chicago. This is the society's annual three-day period of special conferences and prayer.

Mass at 8:30 Wednesday was followed by a talk and that afternoon Father Elias and members went to Gainesville for a conference with candidates from St. Mary's parish who, as novices, will be a part of the Muenster unit during the next year. After that they will have a unit of their own.

Thursday's mass was followed by a communion breakfast in the lunch room and a conference in church. There were two other sermons, at 3 and at 7:30 p.m.

Duster Was Mild, Old Timers Claim

That dust storm last Friday probably was a record breaker while it lasted but it was just a starter, considering the overall result.

Old timers here can recall one in the early days of Muenster's history that lasted three days and left sand drifts to the tops of fences. After that big blow finally ended, they say, lots of folks just walked over their fences. Some can remember driving over with a horse and buggy.

Nevertheless Friday's duster, though it lasted only a few hours, very likely matched the other in intensity. At least it's the densest remembered here in 30 years or more. Visibility was cut down to about one block, car drivers were using their headlights, and street lights were switched on by their automatic controls. That was about 4 o'clock.

However, the dust cleared almost as fast as it moved in. Automatic lights went off again and visibility stretched to a mile or more before sundown. A few hours later stars were clearly visible, apparently not a speck of dust left in the sky.

Denton Assigned as Parker County Agent

Assistant County Agent James Denton has been named Parker county agent and will assume his new post in Weatherford April 1. Denton has served as assistant here to County Agent Gerald York since last June. He is a native of Bonham and is a graduate of Texas Tech with a degree in agriculture.

NEWS OF SICK AND INJURED

Gene Gieb received medical care at Gainesville Sanitarium this week.

Dale Wilde was in Dallas last Wednesday for a regular check up and was fitted with new orthopedic shoes. His mother, Mrs. Richard Wilde and his aunt, Marie Lutkenhaus, went to Dallas with him.

Mr. and Mrs. Paul Endres took their young son, Clifford, to Fort Worth Friday for a check up on his broken leg. The doctors said the fracture is knitting perfectly.

Youth Retreat to Open Lenten Season

With Rev. John J. Hein S.J. of Dallas as retreat master Sacred Heart High students will enter their annual retreat on Thursday following Ash Wednesday, it was announced this week.

The Missa Recitata will open the two-day retreat at 8 a.m. on March 4. On Friday, March 5, the high school choir will sing the High Mass.

During 1953 Father Hein gave many retreats in southern towns and cities from Mobile, Alabama, to Dallas, Texas. Most of these were given to high school groups. Since September 1, 1953, Father has been secretary-treasurer manager of Jesuit High School in Dallas.

FFA Honors Dads At Annual Banquet

Praising the FFA program for its past in developing good citizens and good farmers, M. S. Rogers of the vocational agriculture department of ETSC, urged members of the local chapter Tuesday night to live up to the organization's ideals as expressed in the slogan "Learning to do, Doing to learn, Learning to live, Living to serve."

Rogers was speaker at the Father-Son Banquet at which the Future Farmers annually honor dads as the principal feature in their observance of National FFA week. About 200 members, dads and guests attended the dinner which was prepared and served by the homemaking class in the school lunch room.

Rogers quoted an official of the Huntsville prison as stating recently that to date no member or former member of the FFA has been sent to his institution. Good citizenship is further indicated, he said, by the fact that FFA boys are generally regarded as a school's best posted students on parliamentary procedure. He also emphasized that the knowledge acquired in class and project will have an important bearing on the nation's future agricultural progress.

President Wendell Richey was toastmaster for the program which started with an opening ceremony by officers followed by invocation by Superintendent Weldon Cowan. Rita Cain played piano selections during the dinner period after which Donny Whitt extended the chapter's welcome and Clive Gobble responded for the guests. Dan Hamric gave a trumpet solo and Alvin Fleitman summarized the chapter projects. After Mr. Rogers' main address Father Christopher Paladino gave the closing benediction and the officers held their regular closing ceremony.

Callisburg is Host For District Meet; Two Events Here

Callisburg will be the host school and Superintendent Virgil Welch the director-general for this year's District 41B Interscholastic League athletic and literary meet, representatives of the participating schools decided at their organizational meeting here Thursday of last week.

Because of better facilities, however, the one act play and tennis events will be transferred to Muenster and the track and field events will be transferred to the NTSC track at Denton. Events here are scheduled for March 17 and 18. Events at Callisburg will be on March 19 and at Denton on March 26.

Participating schools are Muenster, Callisburg, Era, Valley View, Sanger, Saint Jo, Forestburg and Caps Corner.

Events in the meet are as follows: Journalism (senior division), Number sense (elementary, junior and senior divisions), Picture Memory (elementary) Declamation (all 3 divisions), Extemporaneous Speech (senior), Short-hand (senior), Slide Ruie (senior), One Act Play (senior), Playground Ball (junior and senior), Ready Writing (senior), Debate (senior) Spelling and Plain Writing (all 3 divisions), Tennis (junior and senior), Track and Field (junior and senior), Typing (senior) Volley Ball (senior—boys and girls), Story Telling (elementary).

Mr. and Mrs. Joe Linn spent Tuesday in Bonham

Chalmers to Talk At Observance of Public School Week

A special program Tuesday night of next week and an open invitation to parents to visit the school during class hours any time in the week, will mark the observance of Public School Week at Muenster.

L. B. Brun, chairman of the PTA committee sponsoring the observance, said that Tuesday night's program will begin as an open house in which the various classrooms will have displays and demonstrations. At 8:30 guests will gather in the lunch room for a band concert, an address by County Superintendent W. E. Chalmers, and refreshments of pie and coffee.

PTA and faculty members especially urge parents to visit the classrooms during the week. They will be welcome anywhere in the school at any time, Brun said.

NT Shop Teachers Meet Here Monday

L. B. Brun, shop instructor at Muenster High, was host to about 40 members of the North Texas Industrial Arts and Vocational Education Club at their monthly meeting Monday night in the high school building.

The club consists of shop teachers in the area including Wichita Falls, Texarkana and Waco. Its members meet in a different school each month to get new ideas on projects, equipment and methods along with their business session.

A feature of Monday's meeting was a demonstration by C. C. Davis of NTSC on new lacquers including a multi-colored "splad-dertone" which is applied with a spray gun.

Shivers Says FFA Has Vital Part in Future Progress

"Our state's future progress and prosperity depends to a great extent on agriculture and therefore on the young people who are studying agricultural education in Texas' public secondary schools and who are members of the Future Farmers of Texas," Governor Allan Shivers stated as he signed the proclamation designating February 20-27, 1954; as National Future Farmer Week of America.

Membership in the FFA is made up of farm boys who are students of vocational agriculture in high school. The organization's activities are designed primarily to help develop rural leadership and good citizenship, and to stimulate the boys to better achievement in their study and work toward successful establishment in farming.

Future Farmers choose the week of George Washington's birthday each year for the observance of National FFA Week. Although generally recognized as a Revolutionary War general and our first President, Washington's first love was the farm he called Mount Vernon. There, he was one of the first in the nation to practice contour planting, crop rotations, fertilization, and other soil conservation and improvement methods.

ATTEND BANKERS' MEET

Representatives from the Muenster State Bank were in Fort Worth Monday for the annual meeting of the Seventh District of Texas Bankers association.

Mr. and Mrs. J. M. Weinzapfel, Mrs. L. A. Bernauer and Miss Marion Starke registered Sunday; Mr. and Mrs. Herbert Meurer and Mr. and Mrs. Earl Fisher attended Monday.

SCHEDULE OF COMING EVENTS

THURSDAY, Feb. 25, FHA benefit pie supper, the lunch room, 7:30.

TUESDAY, Mar. 2, Public School Week program and open house, 7 p.m.

TUESDAY, Mar. 2, Lions Club meeting.

SUNDAY, Feb. 28, SH Bus Fund benefit picnic.

Frieda Mae Neu and Victor Bierschenk Say Vows Tuesday

In Saint Peter's church at Lindsay Tuesday morning Miss Frieda Mae Neu was married to Victor Bierschenk of Weatherford. Rev. Conrad Herda, pastor, officiated at the ring ceremony and was celebrant of the nuptial high mass.

The bride is the daughter of Mr. and Mrs. John Neu Jr. of Lindsay and the groom is the son of Mr. and Mrs. Joe Bierschenk of Grandview.

Mr. Neu gave his daughter in marriage. She was a lovely bride in a gown of white chantilly lace and nylon tulle over satin. The moulded bodice of lace with its petal point sleeves was designed with an illusion yoke with lace petals effecting a de-

collette neckline. The very bouffant skirt of triple tulle was ornamented with lace motifs and fell to carpet length.

The finger-tip length veil of illusion was caught to a tiara of seed pearls; and a single strand of pearls and matching earrings, gifts from the groom, completed the bride's costume. Her flowers were white roses and stephanotis and she carried a sterling silver rosary.

Miss Dorothy Mae Nortman was maid of honor and Miss Louise Bierschenk of Fort Worth, sister of the groom, was bridesmaid. Their pink-orchid dresses of taffeta were identically designed with fitted bodices topped with short lace jackets and full skirts of double layers of net. Both girls wore white sequin headresses and carried colonial bouquets of white mums. Their rhinestone necklaces and ear-



—Gilbert Studio Photo

rings were gifts from the bride. Lawrence Bierschenk of Grandview was his brother's best man and Harold Neu, brother of the bride, was groomsman. Al Bierschenk and Jerome Neu, brothers of the couple, both of Fort Worth were ushers and Gene Block, Virgil Neu and Leroy Neu were acolytes.

White and orchid gladioli and greenery adorned the altar before which the couple exchanged their vows. The Lindsay church choir provided the wedding music.

Mrs. Neu attended her daughter's wedding in a navy blue dress with navy and pink accessories and the groom's mother wore a metallic grey dress with grey and black accessories. They had corsages of white mums.

After the ceremony a breakfast was served in the home of the bride's parents, who were again hosts at 1:30 for a dinner in their home. Lindsay hall was the scene of the wedding reception for 150 guests at 5:30 p.m. Mrs. Jerome Neu presided at the guest book

and Miss Antoinette Neu served the cake.

The couple will live in Weatherford after a wedding trip. For traveling the bride wore a navy blue two-piece suit with navy and pink accessories and a rose corsage. She is a graduate of Lindsay High school with the class of 1949. Her husband served in the army two years with duty in Korea for 18 months and since his discharge is employed as a mechanic in Weatherford.

Mrs. Walker Honored On 85th Birthday

Monday was a happy day for Mrs. Ada Walker who observed her 85th birthday with a dinner party attended by her son, B. A. Walker and family of Fort Worth, and her grandchildren, Mr. and Mrs. B. A. Dunsworth of Cleburne, who came to spend the day with her and her son, J. D. Walker with whom she makes her home. Also adding to the day's enjoyment were visits from friends who stopped in to extend best wishes for the occasion.

Mrs. Walker and her husband C. S. Walker came to Texas from Tennessee in 1890 and she has lived at the same place for the past 45 years. They were married in Tennessee in 1887 when she was 18 and he was 21. Their three sons who are still living were born in Texas. Mr. Walker died on Aug. 27, 1949, after a brief illness.

Mrs. Walker's other son who was unable to attend the birthday observance is R. L. Walker of Vernon. There are eight grandchildren and a number of great grandchildren.

Dr. Charles Reiter of San Antonio visited the L. A. Bernauers Sunday afternoon. He had been in Dallas attending a doctors' meeting and was enroute home.

CARD OF THANKS

My wife and family members join me in this expression of thanks for the many kindnesses and help, the get-well wishes and

visits during my illness and stay in the hospital. A special word of thanks to Father Louis Deuster and Father Herman Redder for their kindnesses. Ben Knabe

Let Us Collect Your Delinquent Bills and Hot Checks

Seiwell Collection Agency

Will Open Monday, March 1
in Office 6, Watts Bldg. Ph. 2911
Gainesville

Ben Franklin Stores

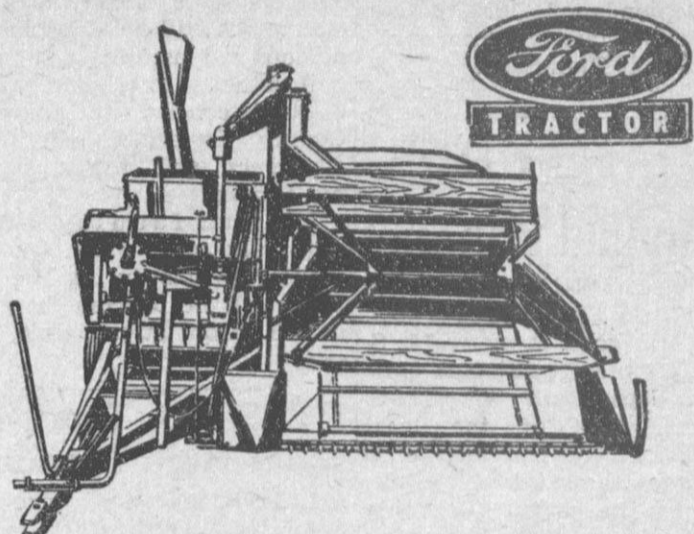
... exercise their combined buying strength to offer the best values from the country's leading manufacturers.

BEN FRANKLIN STORES

... strive always to demonstrate how you, our customers, are benefited qualitywise and price-wise by the association of over 2,000 stores... an organization of more variety stores within the United States than any chain.

Variety Store

Muenster's Ben Franklin Store



Largest Capacity in the 6 ft. Class

Capacity is about the only way to compare combines of the 6 foot class since each one may be better for some particular conditions than others. Of course there are other things to be considered, such as cleaning, but most of these other features are really part of the combine's "capacity".

Guess you'd say "capacity" of a combine is its ability to cut, thresh, separate, and clean more grain from a given crop in less time. Now this "capacity" in a combine can be compared to an old time bucket brigade passing water buckets to put out a fire. Heres what we mean by that: the combine has four main operations cutting and feeding, threshing, separating, and cleaning; and all these depend on the power supply.

Now think of this as a four man bucket line with another man filling the buckets (he's the power supply); now if all these men but one are able to handle ten buckets a minute and that one is a little fellow, like me and could only pass six buckets a minute then the whole operation would be cut to six buckets.

Now this weak sister in the combine may be too small a straw rack or too narrow design all through, or a corner to move around instead of straight through, or any thing in the machine which will at sometime produce a bottleneck. But whatever it may be, it causes the whole machine, like the bucket line, to slow down to the speed of the slowest part.

Even though there may be plenty of power to handle twice the load, a big man filling the buckets, if there isn't a big enough man in the separating department then a lot of grain will be thrown over the back and this is lost "capacity" for the combine and lost money for you.

Now, then, it seems that this "capacity" of a combine depends on the design of all departments to be in balance with each other. And that is exactly what we mean when we claim that the Dearborn Wood-Brothers Combine has a balanced design for greater capacity. We are of course speaking only of the 6 foot class of combines of which there are primarily seven makes. All these have about the same width of cut 6' to 6'4".

So they all start out with the same amount of grain cut. For balanced capacity now, with this 6 foot cut to start our "bucket brigade", we will want a cylinder design to handle almost anything that this 6 foot header can deliver, but still not too big to do a good job on light crops. Cylinders in these seven makes of combines run from 28 inches to 64 inches long and from 15 inches to 22 inches in diameter. One is a spike tooth like the old time thresher, one is a rubber covered bar and all others are rasp bar type.

We use a 48 inch by 16 inch rasp bar cylinder. This is short enough to be rigid, doesn't buckle under heavy load and get out of balance, small enough to handle light crops without spreading them out too thin for good threshing, yet large enough to thresh without choking as much as you will ever want to pick up with the 6 foot header. By using a little larger diameter than most we can get the same cylinder to conceive speed with slower bearing speeds.

And speaking of speeds, you can make speed adjustments on this cylinder while it is running by simply turning a knob. Makes it easy to set your cylinder speed just exactly as you want it, and in just a few seconds.

I better slow down for now, no telling what my advertising bill will be this month. But we sure do want you all to know just how good a combine you can have and we think at much lower prices than anything else in its class.

As we explained last week, we are offering combined cash and pre-season discounts of \$105.00 per month for every month earlier than June that you decide on your Dearborn High Capacity Combine. You still have 3 more days to get the very low February price. (We have to make and report the sale before the end of the month to be able to do this). Sure we know its 4 months ahead of the season but you also know that \$420.00 is worth saving too.

We sold that little 'A' Farmall last week but we still have the 1948 Allis Chalmers 'C' with all the trimmin's and we'll be having more nearly every day, so drop by if you need anything. Or if you don't need anything just drop in and visit with us. "Yuall Come".

Tractor Sales & Service

Walter Rawley Muenster Adrian Parker

1954's GREATEST MATTRESS VALUE!

SIMMONS

84th anniversary

SPECIAL

Exquisite Design
Grey and Gold Cover
Striking Black Edging
Black Cord Handles

16 VENTS Allow
Mattress to Breathe
Wonderful Comfort
for Years and Years

only
\$39⁶⁴ MATCHING BOX
SPRING SAME PRICE

Celebrating 84 years of leadership in the bedding industry, Simmons has produced this special innerspring mattress. It has extra features, extra durability, extra comfort. Come in and see this greatest of mattress values!

Come in during our
64th Anniversary Celebration

Feb. 27 to Mar. 6

SCOTT BROS.

Since 1890 Saint Jo and Nocona

BULCHER HD CLUB HAS CAKE DEMONSTRATION

Miss Bernice Puckett met with members of the Bulcher Home Demonstration club on Thursday afternoon, Feb. 18, and gave a demonstration on sponge cake. She talked as she proceeded with the mixing, explaining each process.

Mrs. E. L. Robison was hostess in her home and Mrs. Gid Prather conducted the business session.

Mrs. E. Newby was in charge of the recreational hour.

The sponge cake was served with cold drinks to Mmes. Gid Prather, E. Newby, R. H. Sharp, Mary Stadalman, August Hyman, R. J. Samples, Johnie West, Albert Fleitman, Claude Cannon, Dexter Dowd, Calip Cannon, Dexter Dennis, and Alex Cannon, Miss Puckett and the hostess.

The five-year-old daughter in the minister's family had been, as she thought, unjustly disciplined. When at last it came bedtime she knelt as usual for prayer at her mother's knee. Earnestly she prayed:

"O Lord, please make all the bad people good; and, Lord, if it's possible, please make all the good people nice."

SH High Students Observe Book Week

"Only the Catholic Press Gives the Catholic View," Catholic Press month slogan, themed a one-act play, "JUDY MEETS THE PRESS," given by the freshman girls, February 25. The play presented during Catholic Book Week culminated press month activities at Sacred Heart High.

Judy, played by Shirley Hoedebeck, meets the Communistic and secular newspapers and magazines neither of which satisfy her in what they offer. Only the truth presented in Catholic newspapers gave Judy the correct view.

Cast of characters included Judy, Shirley Hoedebeck; Guardian Angel, Hazel Lerner; Communist paper, Joan Hennigan; Communist magazine, Teresa Schad; secular newspaper, Norma Jean Walterscheid; secular magazine, Della Fette; Catholic newspaper, Ethel Mae Knabe; Catholic magazine, Delphine Derichsweiler.

Carol Ann Miller directed the play under the supervision of Sister M. Eymard, freshman sponsor.

Bulcher News

Mrs. E. Newby left Friday for Corpus Christi to visit Mr. and Mrs. B. R. Dennis and other relatives.

Mr. and Mrs. Cleo Huggins of Haskell have returned home after a visit with his parents, Mr. and Mrs. O. A. Huggins. Visiting in the Huggins home Sunday was Rev. Charles Milburn of Nocona.

The Charles Dickermans and children of Fort Worth were guests of her parents, Mr. and Mrs. J. M. Shields, Tuesday and Wednesday.

Travis and Christie Cowan of Saint Jo are visiting here this week, the former as the guest of Belva Samples and the latter as the guest of Jo Ella Prather, while their mother, Mrs. Weldon Cowan is in Dallas at the bedside of a sister who underwent major surgery.

The Floyd Webbs visited with the Buck Picketts at Healdton, Okla., Saturday.

Mr. and Mrs. R. J. Samples drove to Caps Corner Sunday to visit her sister Mrs. J. L. Ivins and family.

Mr. and Mrs. Dexter Dennis and Linda were Sunday guests in the home of her parents the Charlie Gastons at Nocona.

Cleta Sue Cannon of Denton was here for a weekend visit with homefolks.

Guests of the August Hymans during the weekend were their son and family, the Ruel Hymans of Denton.

Mrs. J. E. Blakely remains ill at her home.

The Dexter Dowds and Denny spent Sunday with her brother, Wayne Dennis and family at Nocona.

A half inch rain fell here Friday preceding the worst dust storm that area residents can recall.

Observing birthdays and receiving congratulations Sunday were three ladies of this sector, Mrs. Lee Morris who was 72, Mrs. Sallie M. Kidd who was 92, and Mrs. Ada Walker who was 85.

SINGING HELD AT BULCHER
A large crowd attended the community singing at Bulcher Thursday night, Feb. 18. Out of town singers attending included Mr. and Mrs. Bailey Dennis of Gainesville, Paul Thompson of Bonita, and Dolan Modesett of Saint Jo.

SNAKE BITES DISCUSSED AT KEWANEE SAFETY MEET
"Snake Bites and First Aid" was the topic and E. L. Robison was in charge of the discussion when Kewanee Oil company employees of the Bulcher area held their regular safety meeting last Wednesday afternoon in the company office. Also of interest during the program was a talk on how to identify poisonous snakes. Those attending were J. M. Shields, Dexter Dennis, Charles Crabtree, R. H. Sharp, R. J. Samples, Calip Cannon, Bill Harrel, D. V. Daffern and E. L. Robison.

Don't worry about the job you don't like—somebody else will soon have it!—Sydele Quarterly.

Local News BRIEFS

Rev. and Mrs. Bill Hodges and daughter Phyllis Ann of Louisville were Thursday guests in the J. W. Fletcher home. The Hodges are former residents of Saint Jo.

Highway Patrolman Jack Fletcher and his companion Gene Wofford, both of Mineral Wells, stopped here last Thursday to visit Jack's parents after attending the peace officers' dinner meeting in Gainesville.

Mrs. Herbert Cunningham, the Charlie Wolfs and son Dwight Edward, Mrs. Johnny Streng and son John Henry were Friday visitors in Jacksboro and Charlie remained there to work for Anderson Drilling Co.

Mr. and Mrs. John Seyler of Denver, Colo., arrived Sunday evening to visit relatives. They're enroute to Florida where they plan to make their home. They have a son living in Tampa.

Arriving Saturday for a visit with the Gene Hoedebecks were her niece and husband, Mr. and Mrs. Elmo Barton and son Keith of Arkansas City, Kansas. Sunday the Leo Hoedebecks of Gainesville joined them for a visit.

Georgia Ann Hartman spent Saturday night and Sunday in Denton with her sister Mrs. Keith Tompkins and family.

Mrs. Tony Wiesman and little granddaughter, Marilyn Wiesman, of Gainesville were supper guests in the Larry Yosten home Sunday.

Ed Wolf returned to Whitney Tuesday after a visit since Thursday with his mother and family members.

Mr. and Mrs. Robert Barnwell of Madison, Wis., are guests in the home of their daughter, Mrs. Emmitt Yoder and family, making the acquaintance of their new grandson, Mark Robert.

Herman and Elmer Fette and Johnny Streng were here Sunday for a visit with their families. They are working for Anderson Drilling company at Jacksboro.

Recent word from the Al Swirczynskis indicates that they are mixing pleasure with their business at Galveston. Both have jobs at the new John Sealy Hospital where Al is installing air conditioning and Margaret does office work. They spend their off-time fishing and to date Margaret has the record for the bigger catch, a five foot gar. Al also goes deep sea fishing and brings back redfish. They'll be there through June.

Butane-Propane

Phone 99

MÜNSTER BUTANE CO.

The Monte Elliotts of Fort Worth were weekend visitors with her mother, Mrs. John Felderhoff and family.

FRIENDLY NEIGHBORS CLUB MEETS WITH MRS. STEWART

Mrs. Troy Stewart entertained members of the Friendly Neighbors club in her home when the ladies gathered for their regular session of progressive 42 Wednesday night.

After the games the hostess served strawberry shortcake and coffee to Mmes. M. D. Kaderli, Urban Endres, Dick and David Trachta, Ray Swirczynski, Walter Rawley, Bill Hunt, Bill Searcy, L. B. Bruns, Al Wiesman and M. H. King.

Lay Away a WATCH

for Graduation

17 Jewel, waterproof, shockproof, \$24.50

One Group Costume Jewelry 1/2 Price

Wiese Jewelry
Muenster

BUTANE-PROPANE

H & S Butane Co.

BONDED AND INSURED

Phones: Day 153, Night 144

Fred J. Hennigan & Victor Sicking, Owners-Operators



Flowers for Every Occasion

Since 1884 It's

Kaden, the Florist

Flowerphone 570, Gainesville

Represented in Muenster by Mrs. Nick Miller

Friday & Saturday SPECIALS

FOLGERS, MARYLAND CLUB, ADMIRATION, MAXWELL HOUSE

COFFEE lb. 95c

ALLSWEET MARGARINE lb. 28c

NO. 1 RED POTATOES
100 lbs. . . \$2.95 15 lbs. . . 49c

NO. 303 CAN LOS FRESNOS CUT GREEN BEANS
1 can . . . 13c 2 cans . . . 25c

SUPREME BAKERS Coconut Chocolate Drops . lb. 49c

SUPREME BAKERS Ginger Snaps 2 lbs. 55c

SUNSHINE Brownies 7 1/2 oz. 39c

SUNSHINE Krispy Crackers 2 lbs. 49c



IN PACKAGE OR BULK

Also seed potatoes, onion sets, onion plants, and cabbage plants.

The Farmers Store

Andy Hofbauer, Owner and Operator

NICK MILLER

Funeral Director

Complete Funeral Service

Phone 26

Muenster

SPECIAL!

Fine Copies

of your old or new photographs

Insure yourself against losing a precious picture. Have it copied NOW! It doesn't matter where or when your picture was taken, if it is in good condition. Special price to acquaint you with our fine copy service.

YOUR ORIGINAL PHOTOGRAPH IS RETURNED TO YOU

You also save on restoration charges if your photograph is in poor condition

SPECIAL PRICE

\$3.00

5 x 7

Boyd and Breeding Studio

Gainesville

DRIVE THE NEW DODGE "Job-Rated" TRUCKS

See how they give



NEW! MOST VISIBILITY NEW V-8's AND FAMOUS 6's
NEW! ROOMIEST CABS NEW! SHARPEST TURNING
NEW! LOWER LOADING PRICED WITH THE LOWEST

5 MINUTES BEHIND THE WHEEL WILL PROVE DODGE A BETTER DEAL! See or phone us today

F. E. SCHMITZ MOTOR CO.

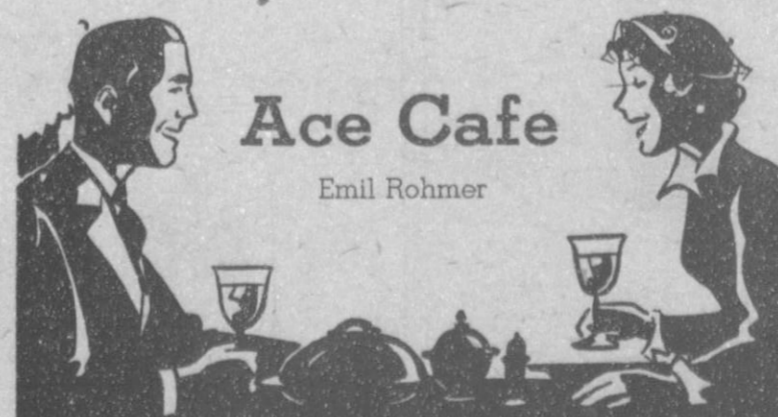
Gainesville

On our First Anniversary, we say
THANKS A MILLION

for all favors during the past year

REMEMBER, THE ACE IS TOPS FOR GOOD STEAKS . . . SANDWICHES . . . PLATE LUNCHES . . . MEXICAN FOODS . . . CHAPMAN'S ICE CREAM AND MELLORINE.

SEAFOOD MEALS DURING LENT



THE MÜNSTER ENTERPRISE

PUBLISHED EVERY FRIDAY — MÜNSTER, COOKE COUNTY, TEXAS
 R. N. Fetto, Editor
 Subscription Rates: In Cooke Co., \$2.00; Outside Cooke Co., \$2.50
 Entered as second-class matter December 11, 1936, at post office at Muenster, Texas, under the Act of March 3, 1879.



Any erroneous reflection upon the character, standing or reputation of any person, firm or corporation that may appear in the columns of the Enterprise will be gladly and fully corrected upon being brought to the attention of the Publisher.



THE HEN OR THE EGG?
 The Eisenhower Administration's economic planning is based on the theory that in the American way of life production is the basis of all newly created wealth. Thus, the Administration contends, the way to improve the welfare of all citizens is to expand

DR. A. A. DAVENPORT
CHIROPRACTOR
 X-RAY FLUOROSCOPE
 406 Elm St. Gainesville

A NEW EXTRA SERVICE
 at no extra cost
 You can see and feel the difference



Homogenizes vital textile oils back into the fabric
 We Give S&H Green Stamps
MILLER'S
 Cleaners & Hatters
 Gainesville

For **SOUND ADVICE**
 On **PROPER INSURANCE**
 With **ADEQUATE COVERAGE**
 And **PROFESSIONAL SERVICE**

SEE
J. M. Weinzapfel Insurance Agency
 Herbert Meurer J. M. Weinzapfel Earl Fisher
 Representing only old line stock companies.

Avoid STORM DAMAGES



with **SUPER Channeldrain ROOFING**

Reg. U. S. Pat. Off. No. 1,833,456

Has the strength of steel... exclusive, free-draining lap design. Heavily galvanized to resist tearing, corrosion, lighting, fire, time. Get details!



C. D. Shamburger Lumber Co.

Richard Trachta, Mgr.

Muenster

F. E. Schmitz Motor Co.



DODGE Job Rated TRUCKS

106 N. CHESTNUT GAINESVILLE



Men Die the Same Way They Live

By Reverend Jerome P. Holland

BEFORE I ENTERED military service as a Navy chaplain, I was much impressed by the stories that came back from the combat areas about the way men turned to God.

That there were "no atheists in foxholes" seemed to me, from a distance, a credible axiom. I was never able to test its credibility under sustained combat conditions. But I was able to test it to some extent from the



immediate vicinity of battle at Iwo Jima and Okinawa and for short intermittent periods under fire.

MY OWN EXPERIENCE tends to convince me to the contrary. I know the shock of a sudden emergency will, for the moment, cause men to pray who would not think of praying under normal conditions. But by and large, I still believe that as men live, so shall they die.

I make this point because I think that one serious setback to belief for Americans is their own

self-sufficiency. Some even feel that to "need" religion is a sign of weakness which destroys their self-sufficiency.

THIS ATTITUDE is a long-range development of the protest against the authority of the Church. From the rejection of the authority of the Church it is only one short, logical step to the rejection of the Word of God entirely. Too many children are often merely coaxed to submit to religion as they are coaxed to eat their spinach, because "it is good for you." If they protest, the matter is just dropped.

The result is that millions of American children have had no genuine religious training either at home or in church. All the pressure of their education has been to render them independent and self-sufficient.

RELIGION AS THEY know it does not require strenuous effort. They can say their prayers or not, or go to Church on Sunday or stay home, without feeling odd or causing comment. They are honestly unaware of the need of any great change in their habitual way of living.

Occasionally in this rush of a busy life, some thought will come to the average man concerning the Faith. "I must explore this further," he resolves. But ten minutes later, a ringing telephone sidetracks his train of thought. There it stands on the mental siding for years, and maybe forever. A positive effort must be made when the thought comes, or one's eternal happiness may be lost.

† Paulist Feature Service, Washington 17, D. C.

panded production to make more jobs, and more income, and more purchasing power through newly created wealth.

Which Came First

The problem is something like the hen and the egg question—which came first? Does purchasing power or production come first? It's a good question. Let's go back to the beginning. God created the Heavens and the Earth. Then Adam and Eve were created. They were placed in a world with natural resources on every side, but no wealth. They couldn't buy a thing. To survive they had to devise ways of getting food, clothing and shelter from the fields, the forests, the animals, and the streams. Thus they had to produce. They had to take a natural resource and make it into a usable commodity. Then it was worth something. Then it was wealth.

Production came first—before wealth and before welfare. It was the sole basis for the improving material welfare of Adam and Eve. Nobody gave Adam and Eve any wealth; they had only opportunity to work and to produce. As their children came and grew up, one by one, production on earth had to be stepped up if all were to live as well as the parents did. Had they merely divided what Adam and Eve produced, the expanding human race could not have survived.

Production, The Key

The "industrial revolution" which began about 1850 was merely a swift expansion of production. Mass production finally evolved, and the American living standard soared. In fact, the improving living standard can be traced directly—and solely—to the expanding industrial production up through the last 100 years.

There is no foreseeable end to the rising economic welfare of the American people—if business and industry are given the incentives that a dynamic enterprise system needs if it is to fulfill its destined service to mankind. On the contrary, no scheme of taking dollars from one and giving them to another—without increasing production—has any lasting value to anybody. On production, depends the future prosperity and security of every American.

There's always something to be thankful for—if you can't pay your bills, be thankful you're not one of your creditors!—Empire-Courier, Craig, Colo.

Excellent Food Properly Served

Curtis Restaurants
The CURTWOOD
The COLONIAL



Hogging The Bench



From where I sit... by Joe Marsh

Handy and Easy "Sign Up"

Last month's safety drive was a big success—almost. Every one helped—the schools ran movies on safe driving, Rotary put up posters, and Handy and Easy Peters went out on their own.

The boys put up a big sign by the side of the highway. It said, "Slow down—the life you save may be your own." It was a good idea—after the police moved the sign back twelve feet.

In their enthusiasm Handy and Easy put it too close to the road—in fact, right on the sharpest curve on the highway. They made

driving unsafe by cutting off the view around the curve.

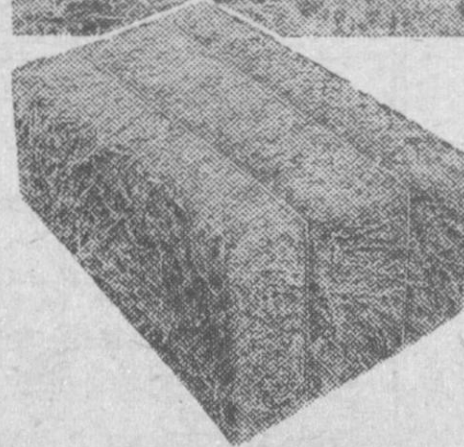
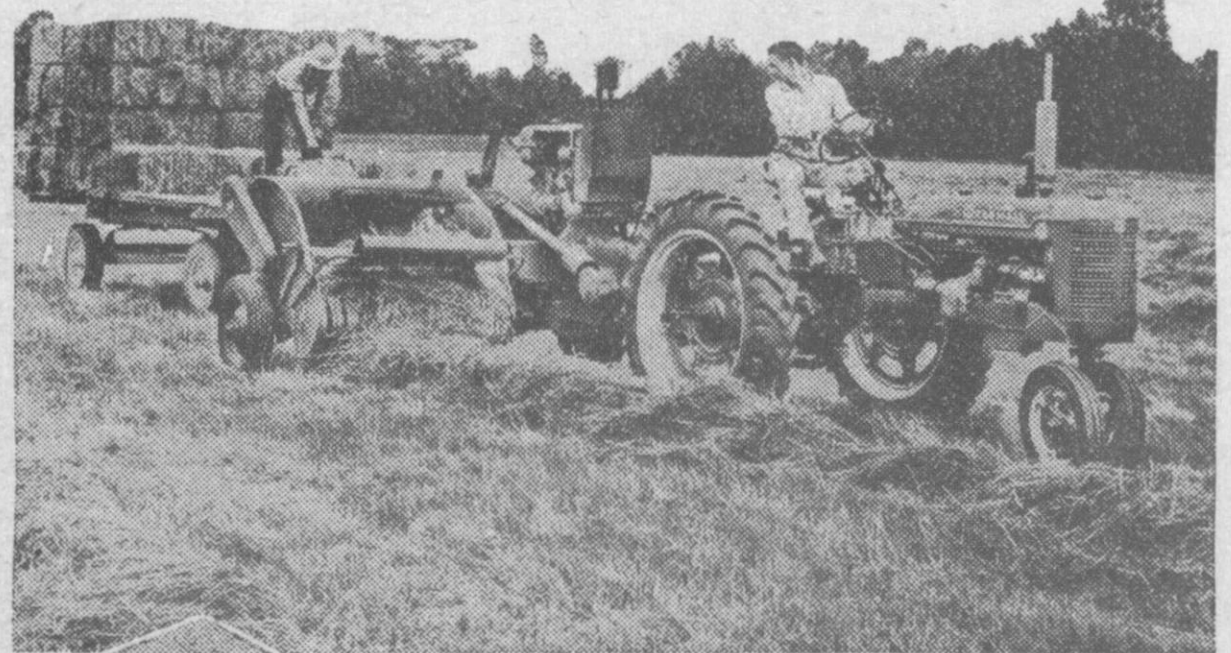
From where I sit, lots of people—even though they mean well—suffer from short-sightedness now and again. For instance, some can never see any further than their own preferences. They even go so far as to object to my choice of a glass of beer with supper. Shouldn't we always take the "long view"... and respect our neighbors' rights?

Joe Marsh

Copyright, 1954, United States Brewers Foundation

MAKE HEAVIER BALES, UP TO 10 TONS AN HOUR

New McCormick No. 55 Baler



THE NO. 55 GIVES YOU

- Increased-capacity, low-level pickup and cross-feed.
- Larger feed opening into bale chamber.
- Simplified, fast-acting tying mechanism.
- Uninterrupted plunger action during tying cycle.
- Stronger, more durable construction.
- More powerful International engine.

TWO MODELS
 No. 55-W Automatic wire tying
 No. 55-T Automatic twine tying

LET US SHOW YOU HOW YOU CAN HAVE FASTER, LOWER-COST BALING WITH THE GREAT NEW McCORMICK NO. 55 BALER.



SCHAD & PULTE

Hardware & Farm Implements
 EAST-SIDE OF COURT-HOUSE - PH. 224 - GAINESVILLE, TEX.

Two kinds of people work for the government; civil servants, who get sick leave, pensions, and holidays; and taxpayers, who don't.—H. C. Diefenbach.

You Can't Look YOUR BEST—

Unless Your Clothes Look Their Best.

Dyers and Hatters

LONE STAR CLEANERS

J. P. GOSLIN, Prop. Phone 332 Gainesville

IT HAPPENED 15 YEARS AGO

Feb. 24, 1939

G. A. Mattson joins A. G. Huton as partner at Muenster Refinery; pipe line to Voth field is under construction. Herbert Meurer is appointed district deputy of Knights of Columbus; is first Muenster man named to the position. Virgil Hellman marries Chicago girl in that city. Parochial pupils present patriotic program to observe Washington's birthday. Civic League will plant Bermuda grass at cemetery. Newly installed REA lines stand first test of winter weather. Norman Luke is voted best all-around boy for senior class at Gainesville Hi.

10 YEARS AGO

Feb. 25, 1944

Joe Hirschy, 57, local baker, dies Thursday. Joe Bezner, 61, former county commissioner dies at his home in Lindsay. Annual Red Cross drive begins. Funeral services are held at Myra for Amanda Elljott, 68. Mrs. J. B. Wilde returns from San Antonio executive meeting of Catholic State League of which she is treasurer. Pastors Fathers Thomas and Richard return from Subiaco retreat. The Ralph Eskers announce the birth of a son. Mrs. Charles Everette and three children move to Muenster while Sailor Everette does sea duty. A son joins the Ed Pels family. Local service men heard from this week: Emil Rohmer and Albert Hoehn, Marshall Islands; Joe Hess, Italy; Leon Hellman, India; Arnold Swirczynski, California; Johnny Wimmer, Mississippi; Arnold Schilling, Australia; Norman Luke, Hawaii following Wake Island raid; Chaplain Francis Zimmerer, west coast enroute overseas.

5 YEARS AGO

Feb. 25, 1949

Mrs. J. H. Esker, 78, resident here since 1910, dies Tuesday. Soaker this week braces community's poor crop prospect. Mrs. Ervin Hamric heads 1949 Red Cross drive; goal is \$475. Thieves get radio and seven batteries in raids at Livestock Auction barn and Endres Motor Co. Sacred Heart PTA lunch room records given A-1 rating by district inspector. Larry Yosten broke both arms Wednesday in a fall from a milk truck. County tax office issues 4,389 poll tax receipts and exemptions for 1948. Ann Klimp

and Ward Sheppard marry in Davenport, Iowa. Melton Ramsey takes over management of Ray and Steve's Humble station. The Alfred Bayers announce the arrival of their first child, Joe David. Jack Needham receives promotion to first sergeant at Sheppard AFB. The Jake Horns Jr. welcome the arrival of their son. Arnold Henscheid and Math Lee Neu marry at Lindsay.

Local News BRIEFS

Since leaving Muenster Miss Anna Hoenig has accepted employment in Miami, Florida, according to letters home this week.

Mrs. R. M. Zipper returned Saturday from a visit in Dallas. Her son-in-law and daughter, the Jim Stockmans and son David brought her home and spent the weekend here. The Zippers' other daughter, Joan of Fort Worth, was also at home for the weekend and another guest Sunday was Jerry Zipper, a nephew from Dallas.

Mr. and Mrs. Virgil Zipper and four daughters of Dallas spent Sunday as guests of the Clarence

Wilsons.

Miss Kathleen Richer of Dallas spent the weekend with her father W. T. Richter and visited other relatives.

Mr. and Mrs. Henry Schneiderjan and two children of Dallas were weekend guests of her mother Mrs. Carra Pagel who accompanied them home for a visit. She will also visit her other daughter, Mrs. Florence Cole and family at Grand Prairie before returning to Muenster.

Mrs. Joe Swirczynski has returned from a visit in Fort Worth with her son, George and family. Her new grandson has been named Eric Wayne.

Dorothy Rohmer has returned to Dallas after a recent visit with her parents, the John Rohmers.

The J. C. Trachtas and the H. L. Tuggles drove to Dallas Sunday to visit friends. While visiting with Cotton Schmitz they saw the Al Horns and John Schmitz.

Mr. and Mrs. Luke Zihlman are new residents in Muenster occupying the cottage at Clarence Hellman's. Zihlman is employed in this area with S&G Drilling Co. The couple came here from Windthorst.

Mr. and Mrs. Mike Fisch left Friday for Des Moines, Iowa, after a 10-day visit with relatives here. They were enroute to Iowa from Linnwood, Calif.

Eddie Grewing who works in the oil fields at Lewisville, Ark., spent the weekend with his family, the Henry Grewings.

Miss Pauline Myrick, a student nurse at John Sealy Hospital in Galveston, spent the weekend with her parents.

Mr. and Mrs. Joe Hoenig had as dinner guests Sunday their daughter and husband, the Carl Pelzels of Denton.

Allan Hoffman, a student at Midwestern University, Wichita Falls, was home for a weekend visit with his parents, the John Hoffmans.

The Tony Rohmers and children and Mrs. John Rohmer visited recently in Henrietta with the Henry Spaeth family.

WELDING
LATHE WORK
BOLTS, NUTS . . . All sizes
Muenster Machine Shop & Supply



Floor Coverings
LINOLEUM -- PLASTIC TILE -- RUBBER TILE
ASPHALT TILE
INSULATION -- VENETIAN BLINDS
GLIDDEN SPRED SATIN PAINTS
Stevens Home Improvement Shop
114 S. Rusk Gainesville In. 272

Regular \$50.00 Value
LIMITED TIME ONLY
\$29.50
48" Width
HURRY!



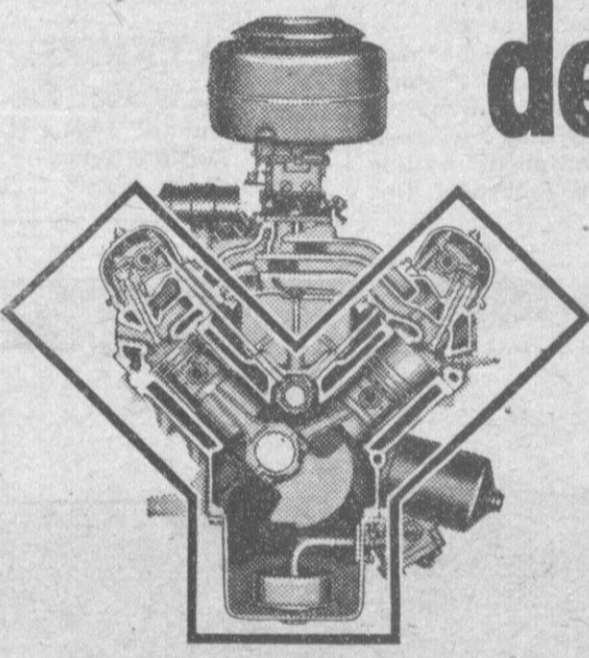
Childers All-Aluminum STORM PROOF DOOR CANOPIES

Protect your doorways all year 'round with a Childers Aluminum Door Canopy. They're designed to cover doorways of any size without expensive custom tailoring. Take advantage now of Childers money-saving price!

Order Today Installed Promptly
JOE B. WALTER LUMBER CO.
Gainesville

WE SPECIALIZE IN
WASHING & GREASING
Call 1802 Collect for appointment
Cliff Gardner Service Station
Ph. 1802 Gainesville 332 N. Commerce

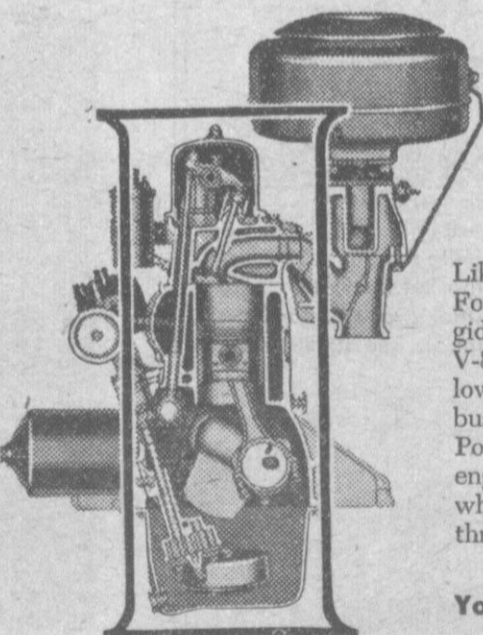
Ford presents two new deep-block engines



THE NEW 130-h.p. Y-block V-8

This new Overhead-Valve V-8 has an extra-deep block which resembles a "Y" in cross-section. This new deep-block design means greater rigidity for smoother, quieter performance . . . longer engine life. Other features which make this engine a long-lived, smooth, savingful performer are: new low-friction (short-stroke) design, Free-Turning Overhead Valves, new 5-bearing crankshaft, and new high-turbulence combustion chambers.

They're the industry's most modern engines with free-turning Overhead Valves and integral valve guides . . . high-compression, low-friction design . . . and extra deep-skirted crankcases. Both engines are designed for long life with smooth, economical performance.



THE NEW 115-h.p. I-block SIX

Like the new Y-block V-8, this engine has Ford's deep-block design for greater rigidity, longer engine life. Also, like the V-8, you get Ford's modern manifolding, low-friction design, high-turbulence combustion chambers, and Ford's Automatic Power Pilot. One advantage of both new engines is an amazingly flat "torque curve" which gives you top pick-up power through the whole range of driving speeds.

You are cordially invited to come in and Test Drive the



JUST A DROP in the Bucket.

Just a drop in the bucket. But, drop by drop, the bucket's full before you know it.

Just a dollar, stashed away in the bank. But dollar by dollar, your savings soon grow into real money with which to go places, do things, and make dreams come true.

Save systematically!

MUESTER STATE BANK
A GOOD BANK TO BE WITH



'54 Ford

More than ever . . . THE STANDARD for THE AMERICAN ROAD

Endres Motor Company

MUESTER, TEXAS

PHONE 44

— If You're Interested in an **A-1** USED Car — Be Sure to See Your Ford Dealer —

Executive: A man who can hand a letter back to a red-headed stenographer for a fourth re-tying.

Soil Conservation Notes

Last week's duster serves as a grim reminder of one of the things that happens when top soil leaves home. When soil is lost from the fields it means not only the production of food and fiber is lost or lowered, but also that additional damage and expense is caused where that soil comes to rest. In the Muenster area the chief concern is not wind erosion but its deadly twin, water erosion. This wandering top soil doesn't make headlines such as the duster but does lots of damage by silting up lakes, water supply reservoirs and stream channels. Cooperators of the Upper Elm-Red soil conservation district are working overtime this spring to keep priceless top soil on fields where it can produce crops. Sweet clover, alfalfa and grasses are being planted to put a cover

of green vegetation over the exposed land and to penetrate and destroy dense, compact plow pans so that more water can run into the soil and less be left to elope with the soil.

A 12-acre waterway is being sodded on the E. R. Powell farm near Hood. The farm is operated by C. A. Morris. The waterway consists of grass borders along a natural drain with two wide lanes extending up into the fields on each side to intercept water from terraces that will be built to protect the sloping fields from erosion.

Bill Haverkamp sodded five acres to Bermuda grass last week. The grass is along a drain in a field that will be used as pasture after additional grass is seeded.

Quite often it is necessary for neighbors to join forces and work together to halt destructive erosion. In such cases a spirit of cooperation between adjoining land owners must be present to work toward a common goal.

Roy Townsley and Ollie Trubenbach have shown that spirit of cooperation. They are working together to shape and sod a gully that was eating away soil along their fence line. The gully is being filled and the sides are being sodded to Bermuda grass, so that the field water will have a wide grassed waterway to carry it safely from the field. Trubenbach plans to seed a wide strip of KR bluestem above his shaped waterway. The bluestem waterway will be used to handle terrace water from the field. In addition to this work the entire road ditch that borders Townsley's farm below the waterways will be shaped and sodded to Bermuda grass to prevent further soil loss. These neighbors working together is a prime example of the good that can come through close cooperation with others to halt soil erosion.

There are those people who, for reasons best known to themselves, make a point of proclaiming, about this time every year, that the little George Washington really didn't chop down a cherry tree and then manfully admit it to his dad. "Bunk!" they snort. "It happened to a couple other guys—if it happened at all!"

A lot of American kids have heard the "I can't tell a lie" story, with moral, over the generations, and who shall say they have been harmed or misled about the fine character of the Father of Our Country?

Marysville News

The Jack Cookes of Boyd and the J. D. Cookes of Fort Worth were guests of the W. J. Davisons Sunday. Mrs. Jack Cooke is their daughter.

Rev. and Mrs. Stanley Daniels of Fort Worth were here for the regular church services Sunday and were dinner guests in the Rafe McElreath home.

Billy Whitt of Arlington A&M spent the weekend with his parents, the W. B. Whitts.

Ralph Cole of Texas A&M and James Cole of Dallas were home for a weekend visit with their parents, the J. T. Coles.

Mr. and Mrs. John Marcus Barnes and daughter, Danna, are spending a few days this week with the John Richeys. John Marcus received his discharge from the army on Feb. 19 at Fort Sam Houston.

The benefit pie supper sponsored by the Marysville Progress club cleared \$102. After the pie auction Sinclair Oil company of Gainesville presented a show consisting of colored films. James Whitt won the jackpot prize given by the company, and Mrs. Norbert Koessler of Muenster won a pillow donated by the club.

Mrs. L. P. Davidson has returned to her home in Gainesville after a visit with her daughter, Mrs. Earl Robison and family.

The Buford Whitts and children were in Durant, Okla., Tuesday to attend funeral services for Mrs. Whitt's nephew, O. N. Bowler.

Mrs. Jess Richey and Mrs. Gus Travis of Gainesville spent Sunday in Nocona as guests in the Tom Evans home.

Mr. and Mrs. Coy Fite of Ringgold spent Sunday visiting the John Richeys.

The Little League has more than fifteen hundred teams now.

Abraham Lincoln Said:
Property is the fruit of labor; property is desirable, it is a positive good in the world.

That some should be rich shows that others may become rich, and hence is just encouragement to industry and enterprise.

Let not him who is houseless pull down the house of another, but let him work diligently and build one for himself, thus by example assuring that his own shall be safe from violence when built.—From a speech on March 21, 1864.

Cleaning Pressing
We pick up on call

Shoe Repairing
Cavalier Polish

TAILOR MADE SUITS AND SLACKS

Nick & Adelina
MUESTER

ELECTRICAL CONTRACTING
FIXTURES
HOTPOINT APPLIANCES

Golightly Electric

803 Summit Gainesville

NOTICE

In December 1953 Tanner Furniture Company was awarded a contract to supply part of the furnishings for a large apartment house project then being completed in Dallas, Texas.

As low bidder we received the contract to furnish 34 apartment units with nationally advertised \$119.50 chrome dinette sets. Our contract price was \$79.75 for each dinette.

Due to an unavoidable delay at the factory, we were unable to deliver the 34 dinettes by the required deadline and our contract was cancelled. These sets are now in Gainesville and **MUST BE SOLD!**

While they last, these nationally advertised \$119.50 dinettes will be sold on a first come, first served basis for the original quantity price of just \$79.75. Easy terms are available on any purchase.

Each set consists of an extra large 35x60-inch chrome table with four matching foam rubber chairs. Choose from modern colors including green, yellow, chartreuse or grey. This unusual value must be seen to be appreciated.

Tanner Furniture Company
213 E. California Street

GET BABY CHICKS NOW!

Early pullets mean early layers... more eggs during the higher egg price months. We have them hatching every Monday.

Ask about our new White Egg Hybrid. Better bred for better production.



Muenster Hatchery Phone 63

Anyone can produce a cheaper product, but it takes lots of work and knowhow to produce a better product.

TYPEWRITERS

BEST STOCK OF
... TYPEWRITERS
... ADDING MACHINES
... CASH REGISTERS
IN NORTH TEXAS

Repairs... Rentals... Sales

Write Us Phone Us
Come To-See Us

AMERICAN
Typewriter Co.
103 Avenue "A" Phone C-4482
Denton, Texas
"Across From NTSC College"



IT'S A WIZARD


No Extra Cost!
Big, New
831-Page
WIZARD
COOKBOOK
With Any
WIZARD RANGE

Deluxe Backguard for New Cooking Freedom!

Wizard 37" Gas Range

With Lumiline Lamp and Appliance Plug! **149⁹⁵** Easy Terms

International electric clock with four-hour minute minder... buzzes at time set! New, miracle "Heat-Seal" oven gasket for faster, more economical, cooler cooking. Two giant- and two standard-top burners. Famous Robertshaw oven heat control. See it! 216305-07



IT'S A WIZARD

New Butter Keeper! New Ice-Tone Trim!

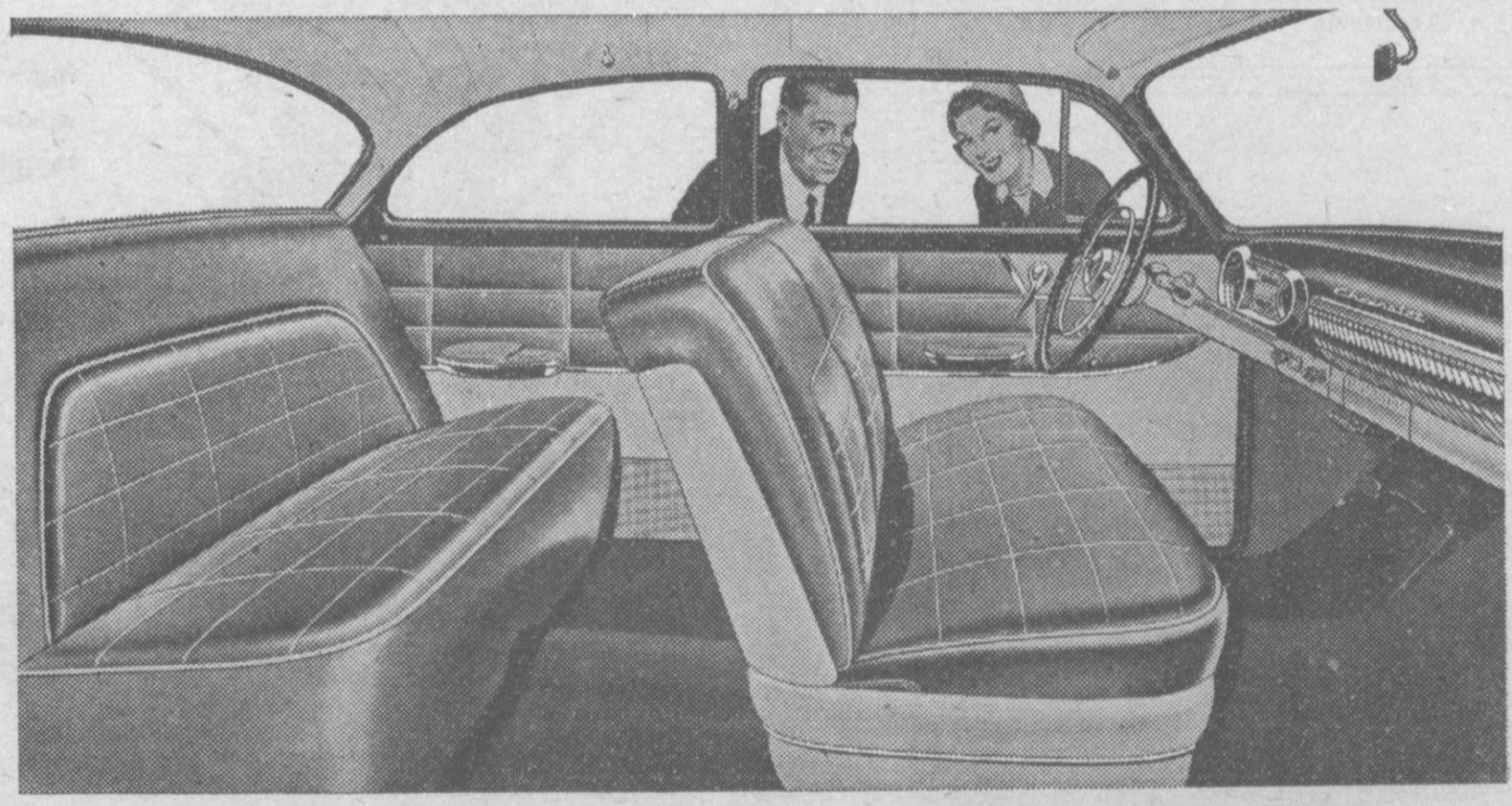
Wizard "Master 10"

Our Low, More-For-Your-Money Price **269⁹⁵** Easy Terms

Get the pick of the nation's refrigerator features in this big, '53 Wizard! Full-width, zero-cold freezer locker stores 52½ lbs. Double crispers hold a full bushel! Acid-resistant porcelain interior, chrome shelving. Thrift-Temp sealed unit guaranteed 5 years! 211305

Western Auto Associate Store

Bob Orr, Owner 112 E. Calif., Gainesville



It's beautiful! It's practical! It's all vinyl!

It's Chevrolet's

DELRAY CLUB COUPE

with the year's brightest new idea in interiors!



This Delray Club Coupe combines all the colorful smartness of a sport model with an interior that's designed for everyday family use. Seats, sidewalls, even the headlining, are all of soft, lustrous vinyl in color treatments that harmonize with the exterior color of your choice.

And this new interior is just as durable and practical as it is beautiful. The vinyl is easily washable and amazingly resistant to scuffing and wear. You don't have to worry about little feet on the seats or the things that little hands might spill. And for grown-ups, here at last is a coupe that provides all the between-seat knee-room of a 2-door sedan!

The Delray Club Coupe is only one of the wonderful new Chevrolet models that make up the lowest-priced line in the low-price field. Come in and look them over.



MORE PEOPLE BUY CHEVROLETS THAN ANY OTHER CARI

J. B. Wilde, Chevrolet Dealer
MUESTER, TEXAS

Political Announcements

For County Judge SHELBY FLETCHER, re-election For County Superintendent W. E. CHALMERS For Tax Assessor-Collector RAFFI I. PIPER, re-election For County Sheriff O. E. WHISNAND, re-election For Commissioner, Precinct 3

J. E. (EARL) TAYLOR, re-election For Commissioner, Precinct 4 JOHN B. KLEMENT, re-election J. E. (EARL) ROBISON

Wednesday overnight guests in the Steve Moster home were Mr. and Mrs. Lawrence Frizzell of Briggdale, Ohio, who were en-route home after a vacation trip to California. Steve and Lawrence became good friends during their world war II days in the Pacific theatre.

See our Expert Mechanic about your Overhaul or Tune-up Job

ANY MAKE - ANY MODEL

BEZNER MOTOR COMPANY

Chrysler-Plymouth Sales & Service COURTESY QUALITY DEPENDABILITY Phone 75 Muenster

BUTANE - PROPANE

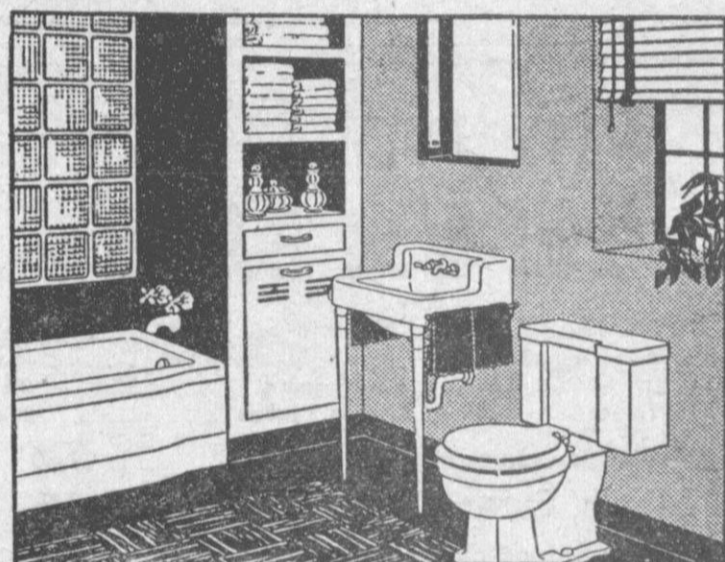
DELIVERED IN A HURRY

Our trucks are equipped with 2-way radio. Moments after we receive your order it is relayed to one of our drivers on the road and he reaches you with the least possible delay.

We Service Butane Equipment and Appliances

Enderby Butane Gas

114 W. Main Gainesville



Plumbing Fixtures

We have a complete line . . . and we beat mail order prices.

AND, OF COURSE . . .

PIPE, FITTINGS, SUPPLIES, TOOLS

Community Lumber Company

Roman J. Klement, Mgr. Muenster

You Gain Two Ways

when you sell your livestock at our sale

YOU GET MORE!

It's a habit with us to sell higher than the current market price.

YOU PAY LESS!

You save in these ways . . . on lower commission charge, less shrinkage and less hauling expense.

ASK THE MAN WHO SELLS HERE

Muenster Livestock Auction

DICK CAIN Owner and Auctioneer

WANT ADS

HOME MADE BREAD FOR SALE Plain or Raisin Bread MRS. JOE VOTH 14-1

LOST: Small silver mesh purse. Finder please notify Mrs. Walter Rawley 14-1

SERVIS STALK SHREDDERS Lift type and wheel type. Get our prices before you buy and save money.

Come and see our NEW HAY BALERS and SELF PROPELLED COMBINES HASENPFUG Tractors & Implements Gainesville 14-1

LEATHER CLEANING. Western jackets, gloves, coats, etc., expertly cleaned; colors and natural oils restored. We give United Trading Stamps. Robran Laundry & Cleaners, Gainesville. 13tf

HAT Cleaning and Blocking. If you want that cowboy or dress hat made like new, your favorite crush, new lining or band replaced, factory style, send it to Robran Laundry and Cleaners. We give United Trading Stamps. 13tf

LAWN MOWERS SHARPENED Leave at my house. TONY OTTO 11-4p

WILL RECEIVE sealed bids on dwelling and outbuildings with 100 x 545 ft. lot before 3 o'clock p.m. March 15. Reserve right to reject any or all bids. Maggie Schumacher Estate, J. M. Weinzapfel, Administrator. 11

CALL US COLLECT for butane or propane. Phone 181, day or night. Enderby Butane Gas, Gainesville. 50tf

VENETIAN BLINDS Custom made and stock blinds. Shamburger Lbr. Co. tf

USED IRON and parts of all kinds. Half price. J. P. Flusche. 50tf

USED TIRES for 15 or 16 inch wheels. Bargains. Hennigan Motor Co. 40-

VENETIAN BLINDS. Custom Wood, steel or aluminum slats. Reasonably priced. Community Lumber Co. 10tf.

GLASS Plate, window, automobile, furniture tops, mirrors. Old mirrors resilvered. For complete glass service call Gainesville Glass Shop. Ph. 910, 311 N. Chestnut.

SINGER Sewing Machine Co. Gainesville, Texas Has a sales and service man in the Muenster vicinity each Wednesday. Mail a card or call 1223 Gainesville or Jimmy's Service Station, Muenster. 18tf

TRACTOR & EQUIPMENT RENTAL SERVICE Post hole digger scoop, grader blade, plows. Rates by hour or day. Tractor Sales & Service 11tf

INSURANCE SERVICE Auto - Life - House Sales, Adjustments, Repairs Finaneing Ray Wilde Muenster 34-tf

TWO LOTS for sale on Main Street, Muenster. See Dick Trachta. 9tf.

WATCH AND CLOCK REPAIRS. Come to Pearson's and save. 205 N. Commerce, in Masonic Bldg., Gainesville 20tf

PARAKETS for Sale. See Bill Hunt at Endres Motor Co. or phone 41 Myra. 3tf

HAY FOR SALE. \$20 a ton. See Louis or Victor Sicking. 14-1

NEW COMBINES as low as \$1275 GRAIN AUGERS as low as \$31.50 See the new "88" 7 ft.

Auger-Type Combine and the Owatonna self propelled windrower

WILDE IMPLEMENTS Gainesville 14-1

FOR SALE: Moline U tractor in extra good shape. Moline R tractor, bargain. Massey-Harris 9 ft. one-way. McCormick-Deering 12 blade one-way. Massey-Harris offset tandem disc. Front mounted planter and fertilizer attachment for John Deere B or A tractor. McCormick-Deering feed mill, \$20.00. Lawrence Zimmerer, Rt. 1, Phone 1864-J-2, Gainesville. 13-2

LOTS FOR SALE Three lots on Main Street for sale. J. B. WILDE tf

Dirt Work of All Kinds See us for tanks, terraces and any kind of dirt work. We have the right equipment to give you a good job and a good deal on any kind of earth moving. GILBERT ENDRES 45tf

STILL in the market for junk iron although the price is down. J. P. Flusche. 30tf

WATCH REPAIRING. We check all work with the electronic timing machine. Huneycutt Jewelry. Gainesville. 37-tf

GOOD PRICES on Goodyear car and tractor tires. Hennigan Motor Company, Phone 39. 37tf

POULTRY SUPPLIES If it's good for poultry we have it. Also peat moss for your flowers. Muenster Hatchery, Ph. 63. 9tf

It Pays to Check our Prices . . . on car, truck and tractor tires, and batteries and accessories DEARBORN HEATERS for natural gas or butane Jimmy's Service Station 51tf

Rust Proof Water Heaters Jet-Glas Day and Night water heaters are surfaced with glass. They have no exposed metal to rust or corrode . . . assure hot water as clean as your water supply. In 20 or 30 gallon sizes 10 year guarantee. Enderby Butane Gas Gainesville 11-

HEATERS of all kinds for sale at C. D. Shamburger Lumber Co.

FROZEN FOOD PACKAGING MATERIALS Big new stock, all kinds, all sizes, just received.

ENDERBY BUTANE GAS Gainesville 10-4

FOR SALE August Friske farm. 220 acres, 2 1/2 mi. west of Muenster on good all-weather road. Electricity, fair improvements. Place sealed bids with Mrs. Joe Luke, Martin Friske or Arnold Friske. Reserve right to reject any or all bids. Bids to be opened March 21. 9-6p.

SOFT ICE CREAM Drive-In at Bowie will sell equipment with or without building. Building can be moved. Terms if desired. See or write I. R. Baker, 419 E. Pecan, Ph. 984-R, Bowie. 11-6p

COTTONWOOD AND OAK lumber at the mill at Caps Corner at money saving prices. Any Size. Wayne O'Neal or Avis Breeze. 6tf.

FOR SALE: Three lots, No. 8, 9, 10 in Block 10. One block from church and school. Mrs. Callie Baumhardt, Muenster. 2-tf.

We have extended the length of our building and have added a special department for ladies' wear.

INEXPENSIVE DRESSES ARE HERE

Our Better Line of

Ladies' and Girls Dresses

in CREPES, SHEER LINENS and COTTONS

will start arriving about March 1

Complete Line Ladies' and Girls' Shoes

Pumps . . . Sandals . . . Moccasins . . . Loafers

★★★★

MEN'S WEAR

Tuf Nut Work Clothes . . . Genuine Levis Genuine Wranglers . . . Wing Shirts, colored and white Nationally advertised sports wear Curlee Suits . . . Haggard Slacks Complete line Jarman and John C. Roberts Shoes Bee Hats, both felt and straw

GALMOR'S CLOTHIERS

Saint Jo, Texas

BABY SITTING Will do baby sitting day or evening preferably in my home. Phone 188-W 14-2

See Veronica Rollman for Notary Public service 13-1p

Fisher Home Is Party Scene Mrs. Charles Taylor and Mrs. J. W. Fisher were hostesses and Mrs. Clyde Fisher was honor guest at an informal gift party given Friday in the Fisher home. Gifts, wrapped in pink and blue, were presented the honoree in a bassinets. Fourteen guests, members of the Fisher and Schmitt families were present.

Mrs. Joe Linn entertained with a dinner Friday honoring her husband on his birthday. The honor guest received a shower of gifts and the table held a decorated cake. Guests were Mr. and Mrs. M. A. Slaughter of Muenster, Jim Kersey and Mr. and Mrs. J. A. Saunders of Shawnee, Okla.



FOR A BETTER HERD AND MORE MILK To do their job - give lots of milk and have good calves - your cows must have the nutritional elements found in Occo, the complete ratio-compounded Mineral-Vitamin Supplement. Occo stimulates the billions of friendly rumen bacteria and keeps them busy at their job of breaking down the fibers of feed for more complete digestion and nutritional benefit as it passes through the rest of the digestive tract.

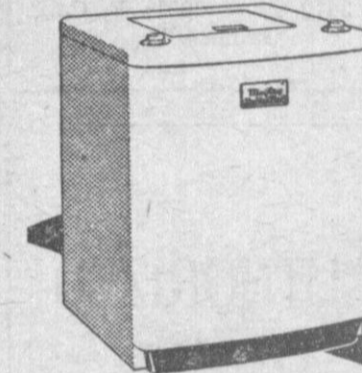
I am always ready to stop by your farm and show you why more and more dairymen are relying on Occo for a better herd and more milk. A million reasons to try Occo are the million farmers who have proved Occo best. Why not give a call so I can see you when you've got some time. YOUR OCCO SERVICE MAN STOCKMEN'S FEED STORE Muenster



Gainesville Radiator Shop

J. F. "Brownie" Brown 527 N. Commerce, Gainesville

The only Automatic with Double Spin Tubs! Gets clothes cleaner!



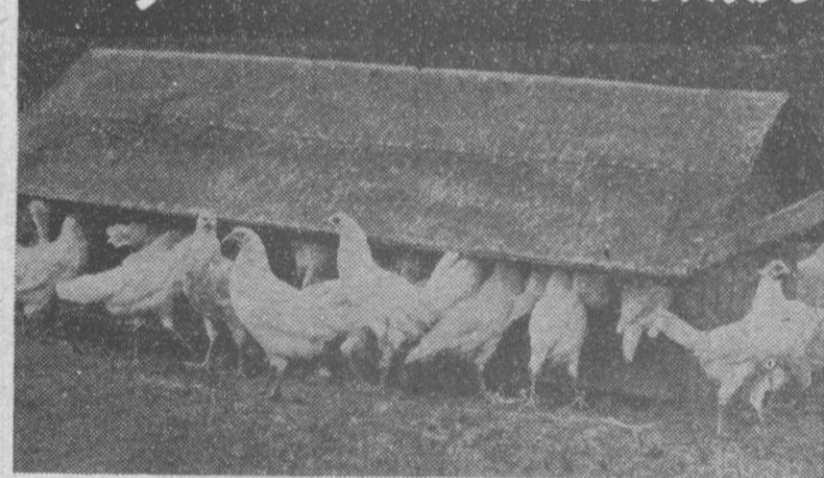
\$209.95

Your old washer may be worth a big down payment!

George Gehrig Hdwe.

Muenster

MORE GROWTH POWER for your GROWING BIRDS



with REDCHAIN GROWING MASH

GRANULS OR MASH



Yes, the new fortification of Vitamin B-12 and Antibiotic Feed Supplement in RED CHAIN Growing Mash provides stepped-up growth power for growing birds. Besides this, the Antibiotic Feed Supplement aids digestion by keeping the digestive tract in better tone. This means more efficient use of the nutritional elements in the feed . . . and, that also spells faster and thrifter growth. Tests have proven that the early maturing pullets produce more eggs and greater profits the first year. Try RED CHAIN Growing Mash this year, and be convinced.

Muenster Milling Co.

Relax Review

"Border River"

Joel McCrea, Confederate captain, has stolen two million in gold from the Colorado mint... tries to buy guns and ammunition from a Mexican bandit, Pedro Armendariz. Joel swipes Pedro's gal, Yvonne DeCarlo. This, for some reason, irritates Pedro and the battle is on. The story is not the best, but the Technicolor photography and acting are good... and the Confederates win, so we'll like it. Rating: MIDDLIN'.

"Sabre Jet"

Story is more original than usual fly-boy epic. Deals with Japan-based fighters, the men who fly them, and the women who wait for them. Most of the action scenes were taken by the Air Force in actual combat. The color photography is good. You'll probably like the picture. Rating: GOOD.

"Red Garters"

This could be called an indoor western. It's a satire on the run-of-the-mill super western. Technically the film is outstanding for the use of depth-illusion techniques usually reserved for 3-D and Cinemascope. Sets, costumes, props and acting are excellent. This is a TOP-DRAWER COMEDY. Rating: VERY GOOD.

Home Owned.
Home Operated

RELAX

Box Office Opens
Sat., Sun. 3:30
Week nights 7:00

Friday-Saturday

"Border River"

in Technicolor
JOEL McCREA
YVONNE DeCARLO
PEDRO ARMENDARIZ

Sun.-Mon.-Tues.

"Sabre Jet"

in Cinecolor
ROBERT STACK
COLLEEN GRAY
RICHARD ARLEN

Wednesday-Thursday

"Red Garters"

in Technicolor
ROSEMARY CLOONEY
JACK CARSON
GUY MITCHELL
PAT CROWLEY
GENE BARRY
CASS DALEY

Lindsay News

Matt Neu was admitted to M&S Hospital Monday evening for medical care.

Emma Neusch of Fort Worth was at home for a weekend visit with her parents, Mr. and Mrs. Leo Neusch and family.

Mrs. Joe Bauer spent last week in Muenster in the home of her daughter and family the Eddie Fleitmans.

Viola Bezner and Marion Berend spent the weekend with homefolks. The girls are student nurses at St. Joseph's Hospital in Fort Worth.

TO DATE

WE HAVE FILLED
542,755

Prescriptions

Just as the Doctor Ordered

WATTS BROS.
Gainesville

Dr. R. L. Kennedy

Optometric Offices
and Modern
Optical Laboratory

Ph. 2418 205½ E. Calif.
Gainesville

AUTHORIZED DEALER

Sales & Service
FOR

Bendix Washer
Crosley Refrigerator
Domestic Sew Machine
Estate Range
Hoffman Television
G-E Television

WE SERVICE
EVERYTHING WE SELL

BOHLS

Hardware & Appliances
Gainesville

Red Gordon's Variety Show will be in Lindsay Friday night, Feb. 26. Starting time is 8 p.m. Everyone is invited to attend and help swell the polio fund.

ANNIVERSARY SURPRISE FOR LAWRENCE ZIMMERERS

Mr. and Mrs. Lawrence Zimmerer were greeted with a surprise observance on their 16th wedding anniversary Sunday when relatives and neighbors gathered at their home with gifts for the occasion and covered dishes for a buffet supper.

Cecilia and Beatrice Zimmerer presented a musical program and after the meal those present enjoyed table games.

Joining the honorees for the celebration were Messrs. and Mmes. Henry Henscheid, J. P. Flusche, Gus Lutkenhaus and their families all of Muenster, the L. W. Flusches and the Al Flusches and their families and Viola Flusche all of Decatur, the Joe Simeroths and two children from Fort Worth, the Andrew and Urban Flusches and their families of Pilot Point, the Johnny, Norbert and Raymond Zimmerers and their families, the Joe J. Neus and family, and the Fred Luebberts all of Lindsay and a special guest, Father Louis Deuster of Muenster.

Blessed Events

Staff Sgt. and Mrs. Teddy Gremminger announce the birth of an eight pound son, their first child, Thursday, Feb. 18, at Carswell AFB hospital, Fort Worth. The little boy is the grandson of the Victor Hartmans and the Ted Gremmingers and the great grandson of John Bayer.

Mr. and Mrs. Emmitt Yoder are the parents of a 10 pound two ounce son born at 3:27 p.m. Thursday, Feb. 18, at Gainesville Sanitarium. The baby has a sister and two brothers. His name is Mark Robert. Grandparents are the Robert Barnwells of Madison, Wis., and the S. E. Yoders of Magnolia, Ark.

Mr. and Mrs. Robert Reiter are the parents of a boy, weight five pounds 11 ounces, born at M&S Hospital at 1:52 a.m. Monday, Feb. 22. The infant's grandparents are the Clem Reiters and the Mike Dieters, and he has paternal great grandparents, the Fred Hoedebecks.

Mr. and Mrs. Joe Spaeth of Henrietta announce the arrival of a nine pound nine ounce boy at Bethania Hospital in Wichita Falls on Monday, Feb. 22. Also welcoming the new arrival are his brother Everett, his sister Linda, and his grandparents the John Rohmers of Muenster and Mrs. George Spaeth of Lindsay.

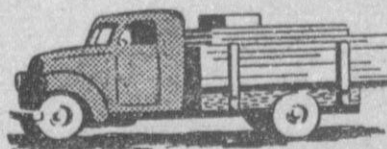
Confetti - - -

why should any reasonable patriotic citizen refuse the request in the first place? If he has information to support the charge he has a duty to his country to give it. If he has no such information he has an equal duty to the accused person.

Instead of beefing about McCarthy, the entire high command, from the president on down, ought to cooperate with him. If he's right then, they can help him render the nation a valuable service. If he's wrong they can help save the reputation of the accused. Either way it's a good deal. But refusal to cooperate only creates more doubt and distrust.

LUMBER

...by the piece



or the truckload!

Your order will receive our careful attention regardless of size. So don't hesitate to come in and talk over that special project you have in mind. We can help with both ideas and materials.

**C. D. Shamburger
Lumber Company**
Richard Trachts, Mgr.
Muenster

5 Baseball Games On Loop List at MHS; Starts April 9

The baseball season at Muenster High School will consist of five games this year... one game with each of the other five teams included in District 29B.

The single round robin schedule was drawn up here last Thursday in a meeting of representatives of the participating schools.

According to Coach Troy Stewart this is the complete schedule for the local boys. Games are to be played on Fridays, beginning April 9, and at this time he has no intention of matching games for other days of the week. Practice season is due to begin immediately after the district track and field meet on March 20.

Hornet opponents and dates are as follows:

April 9, Callisburg, here
April 16, Sanger, there
April 23, Era, here
April 30, Saint Jo, there
May 7, Valley View, there

Other games on those dates are:

April 9, Era at Valey View, Sanger at Saint Jo.
April 16, Callisburg at Era. Saint Jo at Valley View
April 23, Valley View at Sanger, Saint Jo at Callisburg
April 30, Sanger at Era, Valley View at Callisburg
May 7, Callisburg at Sanger, Saint Jo at Era.

New Curtains Made For New Lunch Room

The lunch room at MHS has been enhanced by the addition of new curtains just completed by members of the homemaking class assisted by chapter mothers under the direction of Mrs. Ann Searcy, FHA advisor.

The attractive draperies are made of green Itasca weave material and complement the color scheme in the dining hall.



RESTORES ORIGINAL
BODY AND SHAPE
TO YOUR FABRICS

Robran Laundry and Dry Cleaner

Phone 138 Gainesville
Represented in Muenster
by Main Cafe, Ph. 51

We Give
United Trading Stamps

AT YOUTH MEETING

Six local young people, accompanied by Father Christopher, were in Dallas Sunday attending sessions of the Diocesan Youth Convention held in the Adolphus Hotel. Making up the party from here were Rodney Walter, Allan Dale Eberhart, Rosina Hess, Carol Ann Voth, LaVerna Hess and Donna Hofbauer.

Mr. and Mrs. Richard Wehman and daughter, Cynthia, of Pleasanton are spending this week with her parents and family, the Ted Gremmingers.

To Relieve
Misery of
COLDS
take 666
LIQUID OR TABLETS - SAME FAST RELIEF

In All The World

No one is more
understanding or
more qualified
to serve you

**GEO. J.
Carroll
& SON**

WHY PAY MORE?

Tuf-Nut SALE

BOYS' JEANS	Men's 8 oz. jeans	\$2.59
0-6 yr. \$1.79	Men's 11 oz. jeans	3.25
7-11 yr. 1.98	Girls' jeans	2.39
12-18 yr. 2.29	Ladies' jeans	2.98

Men's blue chambray shirts \$1.39

Men's Overalls and Khaki Suits

Blue or Striped overalls	3.29
Army twill pants	2.78
Army twill Type 4 pants	3.78
Army twill Type 1 pants	4.78

KHAKI SHIRTS TO MATCH

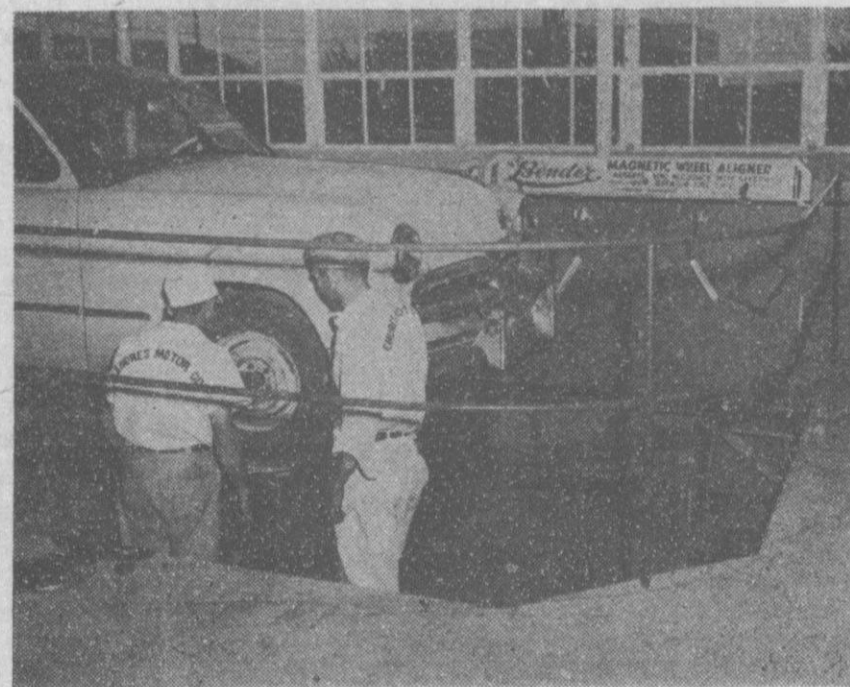
These prices good 10 days only

JACOB PAGEL

Good Equipment

Our Bender Magnetic Wheel Aligner

Re-aligns your front wheels to the factory standard of precision. Stops shimmy, wandering and excessive tire wear. Makes driving safer and easier.



Good equipment along with special tools for special jobs enables our men to give you the full benefit of their mechanical know-how.

See Us and Save... on your next tire deal. All sizes for cars, trucks and tractors.



Endres Motor Company

FRIENDLY SERVICE

Phone 44

Muenster



GARDEN SEED

All the popular varieties featuring the famous Ferry-Morse line.

Seed Potatoes, Cabbage Plants,
Onion Plants and Onion Sets

★★★★

LENTEN FISH ARE HERE
KEG AND ROLL HERRING

And, of course, frozen fish and oysters,
canned salmon and tuna

Fisher's Market & Grocery

Muenster