

Don't Say Drug Store,
Say
Corner Drug Store

The Hereford Brand

"I'll Meet You at
the
Corner Drug Store"

VOLUME 16

HEREFORD, TEXAS, THURSDAY, APRIL 6, 1916

NUMBER 10

J. E. GARRISON DIES

Former Prominent Business Man of Hereford Succumbs to Heart Failure Wednesday

Mr. J. E. Garrison, until a few months ago a prominent business man of Hereford, died suddenly of heart failure Wednesday, at Panhandle, where he was engaged in business.

He had been apparently in his usual good health up till his death. Mrs. Garrison and two daughters had been staying in Amarillo since the family left here a few months ago, where Mrs. Garrison was taking medical treatment, and one of the daughters was taking a course in music and the other attending school. About two hours before his death Mr. Garrison called his wife on the phone and told her he was feeling well and having a good business, and spoke of a good meeting that had just closed in which he had worked and had seen some of his friends brought to Christ. He ate a hearty dinner and about 1 o'clock went to his store and sat down in a chair awhile. He got up and walked towards the stove and suddenly threw his hands to his head and fell to the floor. Medical aid was called but nothing could be done. Life was extinct. The remains were taken to Amarillo to be prepared for burial and were brought to Hereford Thursday night. The funeral services will be held Friday at 3 p. m. at the Presbyterian church, conducted by his pastor, Rev. W. M. Baker, assisted by Rev. R. E. L. Armer of the Baptist church.

Deceased was one of the best known men in Hereford as well as one of the most useful. He was a faithful member of the Presbyterian church. For three years previous to leaving here he was superintendent of the Sunday School and an elder in the church and was one of the most earnest, conscientious and useful members of the church, as well as of the community.

Before engaging in business here he was a successful and prominent teacher for a number of years and in this field he did great good. During his years as a teacher he was instrumental in assisting many young people to secure an education even taking them into his home and helping them.

Besides the bereaved wife, he leaves three daughters and three brothers to mourn his sudden departure, besides a large circle of friends who feel that they have indeed lost a most helpful friend. He was especially dear to Hereford people who mourn his death as one near and dear to them. He was a member of the Masonic fraternity under whose direction the funeral will be. Interment will be held at City Cemetery.

Let's Pull Together

I wish to thank my friends for their efforts in my behalf in the city election just past, and will say, I certainly feel proud of the support given me under the circumstances.

The truth of the matter is, in the first place, I did not feel competent to fill the position of mayor. I did not solicit the place and did not want it, and it was only through the persistent and earnest solicitation of friends and the best citizens of the town that I reluctantly gave consent for my name to be used. Now that the election is over, I want to announce, personally, I am satisfied, and I also wish to say that I do not hold the least animosity or ill feeling toward anyone, for I have good reason to believe that at least a majority of those who scratched my name on the ticket are my friends. Just the same, it was simply a matter of choice, and certainly every one should be allowed to exercise that privilege.

In conclusion I want to say to those holding any personal feelings arising from the result of the election—if there be any—"forget it." Dismiss it from your mind and let's co-operate with our newly elected official in every way possible for the upbuilding and betterment of our little city. Let's Pull Together.

Respectfully,
S. J. Williams.

Progressive Avenue Open

A number of the progressive farmers and stockmen east and north of town have opened a road running north from near the Hereford Stock Yards, extending several miles due north. This road has been put in excellent condition. They have named it Progressive Avenue, and rightly, too, for along this road are some of the most progressive farmers and cattlemen in the county.

This is a good thing as this county needs more good roads.

Good Snow Here

Last Friday this section was visited by a good snow and rain. This is the first moisture in several weeks, and while not enough, it will be a great benefit to the wheat and grass and will put moisture in the dried land. While it has been dry all winter, the farmers say the ground is in excellent shape and that wheat is doing well. The rain and snow was general over the Panhandle.

Seth Ward Burned

The buildings of Seth Ward College at Plainview were destroyed by fire last week. The citizens of Plainview and the friends of the College plan to rebuild.

"OCEANS OF WATER."

Panhandle Association

I. O. O. F.

HEREFORD, TEXAS

April 12-13, 1916

First Day—April 12

Public meeting in the District Court room to be called to order promptly at 10 A. M. by President J. L. Jennings.

Invocation Rev. W. M. Baker

Address of Welcome in behalf of Hereford

Mayor W. M. Knight

Address of Welcome on behalf of Odd Fellows of Hereford

Rev. G. A. Faria

Address of Welcome on behalf of Rebekah of Hereford

Mrs. H. C. Myrick

Response on behalf of Visiting Odd Fellows

Major Jno. F. Ross, Amarillo

Grand Master.

Response on behalf of Visiting Rebekahs

Mrs. Hattie Hill, Amarillo.

President of Rebekah Assembly.

Address—President of Association

J. L. Jennings, Canadian.

Intermission—Five Minutes.

Business session—Report of Committees and Officers.

Adjourn until 2 p. m. Business Session.

3 P. M. Contestests in Charges for Medals.

8 P. M. Rebekah Degree at Court House.

Encampment and Canton Degrees at I. O. O. F. Hall.

Second Day—April 13

9 a. m. Special Session of Grand Lodge—I. O. O. F. Hall.

10 a. m. Business session at District Court Room. Awarding Medals, Banners, Unfinished Business and the Good of the Order.

Adjourn for Noon.

1:30 P. M. Election of Officers for the ensuing year. Selection of place for next meeting.

4:30. Auto ride to Wells.

6 P. M. Banquet.

8 P. M. Contests Initiatory and First Degrees.

Mrs. R. J. Kibbe.

F. E. Walker.

C. O. Lee.

The Degree of Chivalry will be publicly conferred.



Society and Clubs

Phone 30 or 150

On Thursday the members of the Bay View Club were welcomed to the beautiful home of Mrs. Chas. Donald, who was hostess for the afternoon.

Preceding the program, Mrs. H. B. Stephens delighted the ladies with two vocal numbers, whose sweet cadences attuned each heart to the pleasant study before them. In the absence of Mrs. Elliott, Mrs. Ferguson capably directed the lesson, which was a study of tapestry, and was contributed to in talks of absorbing interest by Mesdames Stephens, Garrison and Potts. The history of these art treasures was added to by beautiful illustrations. A reading, "The Weavers," given by Mrs. Rolason, was much enjoyed.

Refreshments of cake and cream were served.

The Beta Psi Deltas met with Miss Bess Snyder Tuesday afternoon. Strawberry cream and cake were served to the following: Misses Reta Shank, Mary Jones, Ruth Churchill, Jane Gregg, N'Anna Elliott, Mary Dunlap; Mesdames Lester Wilkinson, Verne Williams, Skelton, Barker, Guoid, Morgan, and Thornbury.

The next meeting will be with Miss Reta Shank at the home of Mrs. Ray Barber.

The meeting of the Civic Club on Saturday afternoon showed no abatement in interest. Arrangements for the Clean-up campaign and Tag Day were completed, and the outlook for the work forecasted by the committee reports was most encouraging.

The growing conviction that a successful civic campaign, so much needed in Hereford, is dependent upon the harmonious working together of the various committees, the officers and members, is resulting in a gratifying unity of purpose

and work. Mayor Knight, than whom no city has a more efficient, progressive, and painstaking official, was present at the meeting and gave much information of value to the club.

The meeting was full of enthusiasm and helpfulness.

The elegant home of Mr. and Mrs. H. L. Broadwell on Third Street was hospitably opened on Monday evening for a beautifully appointed dinner, whose guests included the pastor and officers of the Presbyterian Church.

The handsome reception rooms were adorned with a wealth of spring flowers, the dainty pink and white coloring and delightful fragrance of apple blossoms being especially charming. In the dining room the same lovely blossoms were used, a tall vase containing graceful sprays, making an effective centerpiece.

From the fruit cocktail, of the first course, to the dessert, of cake, ice cream and coffee, the dinner was perfect and was perfectly served, the congeniality of kindred interests being happily evident in the pleasant social intercourse which marked its progress.

Enjoying the occasion were, Rev. Baker, Rev. Howard, a visiting minister, and Messrs. Cogdell, Witherspoon, Ferguson, Suggs, Stewart, Laird, Bell and Broadwell.

Candidate for Congress Here

Hon. Reuben M. Elder, of Plainview, candidate for Congress from this district, was in Hereford Tuesday mingling with the voters and people generally. Mr. Elder seeks the place now held by John H. Stephens, of Vernon. He is a gentleman of good address as well as a business man of wide experience and good business ability and if elected will make a creditable representative for this section of the state.

SCHUBERT CONCERT PLEASES LARGE AUDIENCE

No better musical attraction has ever come to Hereford than that which the Choral Club brought to the city on Friday evening, the Schubert-Symphony Club. A large audience greeted this company of artists as from former visits they were already favorites.

Aside from their phenomenal efficiency as soloists and in ensemble work, they have a charm of personality that is irresistible.

Those who enjoyed the splendid program, are greatly indebted to the Choral Club for bringing to them this opportunity.

Scherer Victory

Mr. Wm. McIntosh lost his cook and another man last Thursday.

Frank Fulkerson dehorned calves Thursday.

Mrs. Fletcher Rogers spent Sunday afternoon at Will McIntosh's.

The families of Edgar Johnson and C. L. Sullivan motored out to the Brink place to see Mr. Johnson's cattle which are in pasture.

Mrs. Garrett and sister, Mrs. Kirkman and children were car riding Sunday afternoon with Mrs. Sullivan.

Mrs. Kay Rogers carried Mrs. Garrett home from her place Sunday evening.

Mr. John Burch spent Sunday afternoon at Vega.

Al McIntosh and family were Hereford visitor's Sunday afternoon.

Most of the people have their calves dehorned.

We had no school last Friday on account of the blizzard.

Mr. Raymond Stubbs' family and Miss Howton drove to Hereford Sunday evening.

Tom Vaughn has moved to the Rutherford ranch. Mr. Bright, who was there, moved to Hereford.

Mrs. Feemster, who has been quite ill, is much improved.

An Old Hand.

"What was the first thing your bus band said when you got started on your wedding journey?"

"Excuse me while I go forward and have a smoke." You know, it was the third time for him.

CITY AND SCHOOL ELECTIONS

Hereford Retains Knight as Mayor; Ashbrook and Cardwell Are Commissioners

Within the past week Hereford has had two important elections. On last Saturday the school election was held when four members of the school board were chosen. The following were elected: Chas. Donald, R. J. Kibbe, E. N. Mounts and J. H. Bowers, while W. E. Hicks, D. C. Laird and Jno. L. Wilson were the members of the board holding over.

On Tuesday the city election was held. More than usual interest was manifested in the election. There were two candidates for mayor, W. M. Knight, the present incumbent, and S. J. Williams, while there were four candidates for commissioners with two to elect. The candidates were D. F. Ashbrook and Chris Garrison, the old board of commissioners, and J. H. Cardwell and Geo. Beams.

The election resulted in the choice of Mayor Knight to succeed himself and D. F. Ashbrook and J. H. Cardwell for commissioners. The vote was as follows:

Knight 112; Williams 103.
Ashbrook 106; Cardwell 121.
Garrison 97; Beams 95.

Brand to Install Linotype

The Hereford Brand has ordered a linotype machine and it will arrive in about three weeks and be installed, doing away, in a large measure, with the hand setting of type.

The machine is what is known as the No. 5, Mergenthaler Linotype, and costs something over \$2,500 installed. This machine will enable us to set more news matter, and set it later than by hand composition. The machine can also be used in setting ads and job work. This machine, together with our new building, will fit us to do any kind of work quickly, and at competitive prices.

YOU'LL LIKE HEREFORD!

.....Piano Business.....

OUR SPECIALTY FOR 1916

We have been in the piano business for twelve years in Hereford. We have sold many CAR LOADS of pianos. Every piano we have sold has proven to be a good one. Every customer a friend.

The only difference in us and piano pedlars—we own our goods at much less price than they do—and can sell them for much less. We are at no extra expense in handling the line, hence we can afford to sell for much lower figures than regular agents.

We represent the best piano factories in America. We buy for cash direct from the factory. We can make our own low prices and easy terms.

"Your Credit is Good With Us."

E. B. Black Company



WE WILL PAY

\$5,000

Reward

to any resident of the Panhandle who will open an account of one cent at this bank and double the deposit each succeeding day for thirty days.

Western National Bank

5 Per cent on Time Deposits

G. A. F. Parker, Pres. John W. Sherman, Cashier,
Clifford C. Acker, Assistant Cashier

MAD DOG BITES MANY PEOPLE

AT TEXAS TOWN AND THEY PROCEED TO PASTEUR INSTITUTE.

MALIGNANT FORM OF RABIES.

Animal, a Puppy, Follows Lade at Van Alstyne to a Picture Show, at Which He Bites Twenty-Six Persons and Snaps at Others.

Great excitement was caused at Van Alstyne, Tex., when a telegram was received from the state Pasteur Institute at Austin stating that the examination of the head of a dog sent there to

be examined showed a malignant form of rabies had caused its death and advising that all bitten persons to the institute for treatment. Twenty-six in number, they went to Austin. One day last week the animal, three months old, followed the Walker boys to a picture show, where it snapped at and bit a number of people. The puppy was playful and was played with and teased by almost everyone. The next day the dog bit other people. Two days afterward the canine was found dead, and indications of hydrophobia were so strong that the head was sent to Austin.

Mayor Garrow issued an order that all dogs must be confined, otherwise they would be killed.

Overlands first because Overlands last.

Citation by Publication

THE STATE OF TEXAS.

To the Sheriff or any Constable of Deaf Smith County—Greeting:

You are hereby commanded that you summon, by making publication of this citation in some newspaper published in the County of Deaf Smith, if there be a newspaper published therein, but if not, then in any newspaper published in the 69th Judicial District; but if there be no newspaper published in said judicial district, then in a newspaper published in the nearest district to said 69th judicial district, for four weeks previous to the return day hereof, Wayne Hudson, whose residence is unknown, to be and appear before the Hon. District Court, at the next regular term thereof, to be holden in the County of Deaf Smith, at the Court House thereof, in Hereford, on the first Monday in May, 1916, the same being the first day of May, A. D. 1916, then and there to answer a petition filed in said Court, on the 23rd day of February, A. D. 1916, in a suit numbered on the docket of said Court No. 925, wherein the First National Bank of Plattsburg, Mo., is plaintiff, and Wayne Hudson, is defendant. The nature of the plaintiff's demands being as follows, to-wit:

Plaintiff avers that heretofore, to-wit: on the 17th day of September, A. D. 1915, the defendant, Wayne Hudson and Ida Hudson made, executed and delivered to plaintiff their certain promissory note in writing, bearing date on the day and date last above written, by the terms of which they promised to pay to the order of the plaintiff, six months after date thereof, the sum of Fifteen Hundred Dollars with interest thereon from the date of said note, at the rate of 7 per cent per annum, and providing that if the interest should not be paid when due that it should become part of the principal and bear the same rate of interest.

That by the execution and delivery of said note the makers thereof became liable and promised to pay to the plaintiff the several sums therein mentioned according to the tenor and effect thereof. That plaintiff is now the legal and equitable owner and holder of said note. That said note will be due on March 17th, 1916, and this suit is brought before it falls due in order that a Writ of Attachment may be issued to secure the debt above described. That the defendant has failed and refused to pay said note or any part thereof and is justly indebted to the plaintiff in the several sums mentioned therein.

Wherefore, plaintiff prays that the defendant may be cited to appear and answer this petition as required by law, that a writ of attachment may be issued against any property of the defendant in Deaf Smith County subject to execution, and that on final hearing hereof plaintiff may have judgment for his debt, interest and costs of suits and for such other relief to which it may be shown entitled.

HEREIN FAIL NOT, and have you before said Court, on the said first day of the next term thereof, this Writ, with your endorsement thereon, showing how you have executed the same.

Given under my hand and seal of said Court, at office in Hereford this, the 10th day of March, A. D. 1916. A. O. Thompson, Clerk District Court, Deaf Smith County, Texas.

By J. S. Jones, Deputy.

Overlands first because Overlands last.

Wanted

All kinds of salable second hand furniture. If you have furniture or anything that can be utilized by a second hand store, let me know. J. G. Benke.

State of Ohio, City of Toledo, Lucas County, ss.

Frank J. Cheney makes oath that he is senior partner of the firm of F. J. Cheney & Co., doing business in the City of Toledo, County and State aforesaid, and that said firm will pay the sum of ONE HUNDRED DOLLARS for each and every false statement that cannot be cured by the use of HALL'S CATARRH CURE.

Sworn to before me and subscribed in my presence, this 8th day of December, A. D. 1906.

(Seal) A. W. GLEASON, Notary Public.

Hall's Catarrh Cure is taken internally and acts directly upon the blood and mucous surfaces of the system. Send for testimonials, free.

F. J. CHENEY & CO., Toledo, O. Sold by all Druggists.

Notice By Publication of Final Account

THE STATE OF TEXAS.

To the Sheriff or any Constable of Deaf Smith County—Greeting:

Henry L. Ruhaak, Administrator of the estate of Richard Roelfs, deceased, having filed in our County Court his Final Account of the condition of the estate of said Richard Roelfs, deceased, together with an application to be discharged from said duty as Administrator.

You are hereby commanded, that by publication of this Writ for twenty days in a newspaper regularly published in the County of Deaf Smith, you give due notice to all persons interested in the Account of Final Settlement of said Estate, to file their objections thereto, if any they have, on or before the April Term, 1916, of said County Court commencing and to be holden at the Court House of said County, in the City of Hereford on the First Monday in April, A. D. 1916, when said Account and Application will be considered by said Court.

Witness A. O. Thompson, Clerk of the County Court of Deaf Smith County.

Given under my hand and seal of said Court, at my office in the City of Hereford, this 28th day of February, A. D. 1916.

A. O. Thompson, Clerk C. C. Deaf Smith Co. By J. S. Jones, Deputy Clerk.

A true copy, I certify: R. W. Baird, Sheriff Deaf Smith Co. By C. E. Smith, Deputy Sheriff.

CITATION BY PUBLICATION IN DELINQUENT TAX SUITS.

STATE OF TEXAS.

And County of Deaf Smith. To L. A. Hough and O. H. Vardeman and all persons owning or having or claiming any interest in the land or lots hereinafter described, the same being delinquent to the State of Texas and County of Deaf Smith for taxes, and the same lying and being situated in the County of Deaf Smith and State of Texas, to-wit: Lots Nos. 8, 13, 14 and 15 in block No. 35, Evans Addition to the town of Hereford, which said property is delinquent to the State of Texas and County of Deaf Smith for taxes for year 1913 and 1914, aggregating the sum of \$17.18 including interest, penalties and costs, said taxes having been legally levied, assessed and rendered against said land and lots, and the same being a lawful charge and constituting a prior lien against the same in favor of the State of Texas and County of Deaf Smith to secure the payment thereof.

AND YOU ARE HEREBY COMMANDED to be and appear before the Honorable District Court of Deaf Smith County, Texas, at the next regular term thereof, to be held at the Courthouse of said County, in the city of Hereford on the first Monday in May A. D. 1916, the same being the first day of May A. D. 1916, then and there to show cause why judgment should not be rendered against you and the said land and lots sold under foreclosure of said lien to satisfy said taxes, interest, penalties and costs, and all court costs; all of which, together with other and further relief, general and special, being fully set out and prayed for in the plaintiff's original petition filed in said court on the 10th day of March, 1916, and appearing on the docket thereof as suit No. 1010, wherein the State of Texas is plaintiff, and L. A. Hough and O. H. Vardeman and all persons owning or having or claiming any interest in said land or lots, defendants.

Given under my hand and seal of said Court, at office in the City of Hereford, in the County of Deaf Smith, this 31st day of March, A. D. 1916.

A. O. THOMPSON, Clerk, District Court, Deaf Smith County, Texas. By J. S. JONES, Deputy.

CITATION BY PUBLICATION IN DELINQUENT TAX SUITS.

STATE OF TEXAS.

And County of Deaf Smith. To William E. Tompkins and Alice F. Swain, and all persons owning or having or claiming any interest in the land or lots hereinafter described, the same being delinquent to the State of Texas and County of Deaf Smith for taxes, and the same lying and being situated in the County of Deaf Smith and State of Texas, to-wit: Lot No. 7, block No. 10 of Evans Addition to the town of Hereford which said property is delinquent to the State of Texas and County of Deaf Smith for taxes for the years 1909, 1911, 1912 and 1913, aggregating the sum of \$28.10, including interest, penalties and costs, said taxes having been legally levied, assessed and rendered against said land and lots, and the same being a lawful charge and constituting a prior lien against the same in favor of the State of Texas and County of Deaf Smith to secure the payment thereof.

AND YOU ARE HEREBY COMMANDED to be and appear before the Honorable District Court of Deaf Smith County, Texas, at the next regular term thereof, to be held at the Courthouse of said County, in the city of Hereford on the first Monday in May A. D. 1916, the same being the first day of May A. D. 1916, then and there to show cause why judgment should not be rendered against you and the said land and lots sold under

foreclosure of said lien to satisfy said taxes, interest, penalties and costs, and all court costs; all of which, together with other and further relief, general and special, being fully set out and prayed for in the plaintiff's original petition filed in said court on the 10th day of March, 1916, and appearing on the docket thereof as suit No. 989, wherein the State of Texas is plaintiff, and William E. Tompkins, et al, and all persons owning or having or claiming any interest in said land or lots, defendants.

Given under my hand and seal of said Court, at office in the City of Hereford, in the County of Deaf Smith, this 31st day of March, A. D. 1916.

A. O. THOMPSON, Clerk, District Court, Deaf Smith County, Texas. By J. S. JONES, Deputy.

CITATION BY PUBLICATION IN DELINQUENT TAX SUITS.

STATE OF TEXAS.

And County of Deaf Smith. To A. R. Teeple and all persons owning or having or claiming any interest in the land or lots hereinafter described, the same being delinquent to the State of Texas and County of Deaf Smith for taxes, and the same lying and being situated in the County of Deaf Smith and State of Texas, to-wit: Lots Nos. 11 and 19 in block No. 18, Hereford which said property is delinquent to the State of Texas and County of Deaf Smith for taxes for the years 1910, 1911, 1912, 1913 and 1914, aggregating the sum of \$66.44, including interest, penalties and costs, said taxes having been legally levied, assessed and rendered against said land and lots, and the same being a lawful charge and constituting a prior lien against the same in favor of the State of Texas and County of Deaf Smith to secure the payment thereof.

AND YOU ARE HEREBY COMMANDED to be and appear before the Honorable District Court of Deaf Smith County, Texas, at the next regular term thereof, to be held at the Courthouse of said County, in the city of Hereford on the first Monday in May A. D. 1916, the same being the first day of May A. D. 1916, then and there to show cause why judgment should not be rendered against you and the said land and lots sold under foreclosure of said lien to satisfy said taxes, interest, penalties and costs, and all court costs; all of which, together with other and further relief, general and special, being fully set out and prayed for in the plaintiff's original petition filed in said court on the 10th day of March, 1916, and appearing on the docket thereof as suit No. 987, wherein the State of Texas is plaintiff, and A. R. Teeple, is and all persons owning or having or claiming any interest in said land or lots, defendants.

Given under my hand and seal of said Court, at office in the City of Hereford, in the County of Deaf Smith, this 31st day of March, A. D. 1916.

A. O. THOMPSON, Clerk, District Court, Deaf Smith County, Texas. By J. S. JONES, Deputy.

CITATION BY PUBLICATION IN DELINQUENT TAX SUITS.

STATE OF TEXAS.

And County of Deaf Smith. To W. R. Bush and all persons owning or having or claiming any interest in the land or lots hereinafter described, the same being delinquent to the State of Texas and County of Deaf Smith for taxes, and the same lying and being situated in the County of Deaf Smith and State of Texas, to-wit: Lot No. 28 in block No. 39, Evans Addition to the town of Hereford, which said property is delinquent to the State of Texas and County of Deaf Smith for taxes for the years 1910, 1911, 1912, 1913 and 1914, aggregating the sum of \$74.15, including interest, penalties and costs, said taxes having been legally levied, assessed and rendered against said land and lots, and the same being a lawful charge and constituting a prior lien against the same in favor of the State of Texas and County of Deaf Smith

to secure the payment thereof; AND YOU ARE HEREBY COMMANDED to be and appear before the Honorable District Court of Deaf Smith County, Texas, at the next regular term thereof, to be held at the Courthouse of said County, in the city of Hereford on the first Monday in May A. D. 1916, the same being the first day of May A. D. 1916, then and there to show cause why judgment should not be rendered against you and the said land and lots sold under foreclosure of said lien to satisfy said taxes, interest, penalties and costs, and all court costs; all of which, together with other and further relief, general and special, being fully set out and prayed for in the plaintiff's original petition filed in said court on the 10th day of March, 1916, and appearing on the docket thereof as suit No. 980, wherein the State of Texas is plaintiff, and W. R. Bush and all persons owning or having or claiming any interest in said land or lots, defendants.

Given under my hand and seal of said Court, at office in the City of Hereford, in the County of Deaf Smith, this 31st day of March, A. D. 1916.

A. O. THOMPSON, Clerk, District Court, Deaf Smith County, Texas. By J. S. JONES, Deputy.

Dr. J. J. Crume, of the firm of Crume and Killough of Amarillo, will be in Hereford the 1st Thursday of each month to treat diseases of the eye, ear, nose and throat. It

Bring your hides to McQueen Grain & Coal Co. We pay the top cash price for them, green dry and old hides. 491f

Eera Norton will buy your hides. See him at saddle shop. He pays highest market price. 491f

J. G. Benke buys all kinds of second hand articles. Let us know what you have for sale. 92

Eggs for Hatching From winter laying R. C. Reds. Ralph Barnett, Phone 245. 21f

The biggest racket store in the world—The Fair. 93

"YOU'LL LIKE HEREFORD."

NATIONAL MAZDA



This Light is Good for Boys

BOYS and girls need the best light you can give them. Their eyes are growing like the rest of their bodies. Do not put children's eyes under strain by bad lighting.

Use National MAZDA light. It's better. It's brighter. It's three times as bright as carbon lamp-light and costs no more. It's the best light for reading, study, work or play. May we talk with you about the lighting of your home, store or building?

Hereford Electric Light & Power Co.



Careful Men and their money stand behind our National Bank

OVER ONE HUNDRED MILLIONS OF DOLLARS IN GOLD WAS PUT UP BY THE "FEDERAL RESERVE" SYSTEM OF BANKS, IN TWO DAYS, AS A BASIS ON WHICH THE U. S. GOVERNMENT ISSUES MONEY. OUR BANK IS A MEMBER OF THIS "FEDERAL RESERVE" SYSTEM. WE CAN TAKE OUR SECURITIES TO OUR DISTRICT "FEDERAL RESERVE" BANK AND GET MONEY. YOU CAN GET YOUR MONEY WHEN YOU WANT IT WHEN IT IS DEPOSITED IN OUR BANK.

BANK WITH US.

First National Bank

HEREFORD, TEXAS

Spring Implements

We handle only the standard makes John Deere and Case Listers Deere Iron Clad Wagons Disc, Sulky and Gang Plows

The Best Grain Drills on Earth—

The Van Brunt

—nothing like them; nothing equal to them. They are the greatest yet

The Star and Leader Windmills—

A full carload of them received this week

If the wind don't blow, use a

Triumph Gas Engine—

an all purpose power plant in a small place; 1 1/2 to 20 H. P.

The call of Spring is here—get busy

—we will furnish the implements of industry

1901 Garrison Bros. 1916

74 YEARS OF KNOWING HOW

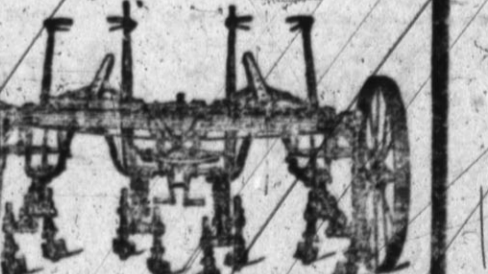


BACKED BY AN UNQUALIFIED GUARANTEE

THE WORLD'S TWO BEST TWO-ROW CULTIVATORS

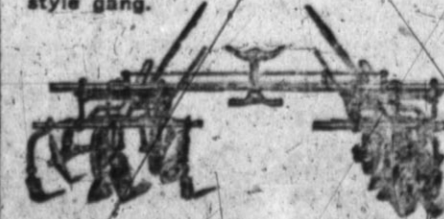
The P-O Two-Row Cultivator

covers every essential feature for perfect work, ease of adjustment and adaptability of all conditions of soils. The simplest and strongest Two-Row Cultivator made. "It's the way we build them". Frame as strong as a bridge. Axes of improved construction prevents wheel widening in front; make light draft. Fine depth adjustment; each gang controlled independently. Four levers do the work of six on other styles, as the inside levers control the inside gangs independently, and also raise or lower the gangs in pairs. Easy working adjustable foot levers. The wheels can be pivoted alone or in connection with the lateral gang movement. The pressure springs are center hung, insuring proper tension in all conditions of the ground and in any position of gangs. The parallel movement of gangs insures each shovel cutting the proper width and depth. Furnished with any style gang.



No. 27-2-Row Lister Cultivator

We make a complete line of DRY-FARMING tools, prominent among which is the No. 27 Lister Cultivator, which has many superior features, consisting of two sets of gangs mounted slidingly on a truss spreader pipe. Turn table construction, evenly distributes weight on the gangs, holding them level and preventing one side from going in deeper. Each gang follows its own row. Roller connection between the gangs and spreader pipe. Gangs can be raised as a unit, or shovels can be raised separately. Frame balances with tongue when raising gangs. Easy change from first to second cultivation. Extra high clearance for large corn, with long shield for small corn. Eight shovel attachments can be furnished when ordered.



If your dealer will not supply you ONLY TAKES A POSTAL to get our new 1916 catalog and special introductory prices.

Parlin & Orendorff Implement Co.

DALLAS, TEXAS

TRUSTEE'S NOTICE OF SALE.
Notice is hereby given that on the 2nd day of May, 1916, between the hours of ten o'clock a. m. and four o'clock p. m., I, W. Boyce, Substitute Trustee, shall proceed to sell at public outcry in front of the court house door of Deaf Smith County, in Hereford, Texas, to the highest bidder for cash, the following described property situated in Deaf Smith County, Texas, to-wit:
The northwest one-quarter (N. W. 1-4) of Section No. 25, Township 4 North, Range No. 1, east of a Capitol Syndicate Subdivision, being One Hundred and Sixty (160) acres of land out of Capitol League Nos. 401 and 402, originally patented to Abner Taylor, located in the west side of Deaf Smith County about twenty-seven (27) miles in a northwesterly direction from Hereford.
Said sale is to be made by me, as Substitute Trustee, the Trustee and Alternate named in the Deed of Trust, hereinafter described, having refused to act, and the holders of said notes having appointed me as Substitute, and at the request of Albert Howison and Robert W. Howison, the present holders of the notes hereinafter mentioned, and by virtue of the authority conferred by the terms of a Deed of Trust executed by L. W. McLennon, dated November 20, 1906, recorded in Volume 4, page 245 of the Deed of Trust Records of Deaf Smith County, Texas, whereby the said L. W. McLennon conveyed to George Findlay, Trustee, the above described property, for the purpose of securing the payment of nine (9) certain notes executed by the said L. W. McLennon and particularly described in said Deed of Trust, and the proceeds of said sale will be applied to the payment of the balance due upon said notes, the taxes on said land for the years 1913, 1914, and 1915, as paid by the owners of said notes, together with interest thereon, and the expense of making said sale, and the remainder, if any, will be paid to the persons entitled to the same under the terms of said Deed of Trust.
Witness my hand, this the 27th day of March, 1916.
W. BOYCE,
Substitute Trustee.

TRUSTEE'S NOTICE OF SALE.
Notice is hereby given that on the 2nd day of May, 1916, between the hours of ten o'clock a. m. and four o'clock p. m., I, W. Boyce, Substitute Trustee, shall proceed to sell at public outcry in front of the court house door of Deaf Smith County, in Hereford, Texas, to the highest bidder for cash, the following described property situated in Deaf Smith County, Texas, to-wit:
The northeast one-quarter (N. E. 1-4) of Section No. 24, Township 4 North, Range No. 1, east of a Capitol Syndicate Subdivision, being One Hundred and Sixty (160) acres of land out of Capitol League No. 402, originally patented to Abner Taylor, located in the west side of Deaf Smith County about twenty-seven (27) miles in a northwesterly direction from Hereford.
Said sale is to be made by me, as Substitute Trustee, the Trustee and Alternate named in the Deed of Trust, hereinafter described, having refused to act, and the holders of said notes having appointed me as Substitute, and at the request of Albert Howison and Robert W. Howison, the present holders of the notes hereinafter mentioned, and by virtue of the authority conferred by the terms of a Deed of Trust executed by L. W. McLennon, dated November 20, 1906, recorded in Volume 4, page 527 of the Deed of Trust Records of Deaf Smith County, Texas, whereby the said L. W. McLennon conveyed to George Findlay, Trustee, the above described property, for the purpose of securing the payment of nine (9) certain notes executed by the said L. W. McLennon and particularly described in said Deed of Trust, and the proceeds of said sale will be applied to the payment of the balance due upon said notes, the taxes on said land for the years 1913, 1914, and 1915, as paid by the owners of said notes, together with interest thereon, and the expense of making said sale, and the remainder, if any, will be paid to the persons entitled to the same under the terms of said Deed of Trust.
Witness my hand, this the 27th day of March, 1916.
W. BOYCE,
Substitute Trustee.

TRUSTEE'S NOTICE OF SALE.
Notice is hereby given that on the 2nd day of May, 1916, between the hours of ten o'clock a. m. and four o'clock p. m., I, W. Boyce, Substitute Trustee, shall proceed to sell at public outcry in front of the court house door of Deaf Smith County, in Hereford, Texas, to the highest bidder for cash, the following described property situated in Deaf Smith County, Texas, to-wit:
The northwest one-quarter (N. W. 1-4) of Section No. 24, Township 4 North, Range No. 1, east of a Capitol Syndicate Subdivision, being One Hundred and Sixty (160) acres of land out of Capitol League No. 402, originally patented to Abner Taylor, located in the west side of Deaf Smith County about twenty-seven (27) miles in a northwesterly direction from Hereford.
Said sale is to be made by me, as Substitute Trustee, the Trustee and Alternate named in the Deed of Trust, hereinafter described, having refused to act, and the holders of said notes having appointed me as Substitute, and at the request of Albert Howison and Robert W. Howison, the present holders of the notes hereinafter mentioned, and by virtue of the authority conferred by the terms of a Deed of Trust executed by L. W. McLennon, dated November 20, 1906, recorded in Volume 4, page 533 of the Deed of Trust Records of Deaf Smith County, Texas, whereby the said L. W. McLennon conveyed to George Findlay, Trustee, the above described property, for the purpose of securing the payment of nine (9) certain notes executed by the said L. W. McLennon and particularly described in said Deed of Trust, and the proceeds of said sale will be applied to the payment of the balance due upon said notes, the taxes on said land for the years 1913, 1914, and 1915, as paid by the owners of said notes, together with interest thereon, and the expense of making said sale, and the remainder, if any, will be paid to the persons entitled to the same under the terms of said Deed of Trust.
Witness my hand, this the 27th day of March, 1916.
W. BOYCE,
Substitute Trustee.

TRUSTEE'S NOTICE OF SALE.
Notice is hereby given that on the 2nd day of May, 1916, between the hours of ten o'clock a. m. and four o'clock p. m., I, W. Boyce, Substitute Trustee, shall proceed to sell at public outcry in front of the court house door of Deaf Smith County, in Hereford, Texas, to the highest bidder for cash, the following described property situated in Deaf Smith County, Texas, to-wit:
The southeast one-quarter (S. E. 1-4) of Section No. 25, Township 4 North, Range No. 1, east of a Capitol Syndicate Subdivision, being One Hundred and Sixty (160) acres of land out of Capitol League Nos. 402, originally patented to Abner Taylor, located in the west side of Deaf Smith County about twenty-seven (27) miles in a northwesterly direction from Hereford.
Said sale is to be made by me, as Substitute Trustee, the Trustee and Alternate named in the Deed of Trust, hereinafter described, having refused to act, and the holders of said notes having appointed me as Substitute, and at the request of Albert Howison and Robert W. Howison, the present holders of the notes hereinafter mentioned, and by virtue of the authority conferred by the terms of a Deed of Trust executed by L. W. McLennon, dated November 20, 1906, recorded in Volume 4, page 533 of the Deed of Trust Records of Deaf Smith County, Texas, whereby the said L. W. McLennon conveyed to George Findlay, Trustee, the above described property, for the purpose of securing the payment of nine (9) certain notes executed by the said L. W. McLennon and particularly described in said Deed of Trust, and the proceeds of said sale will be applied to the payment of the balance due upon said notes, the taxes on said land for the years 1913, 1914, and 1915, as paid by the owners of said notes, together with interest thereon, and the expense of making said sale, and the remainder, if any, will be paid to the persons entitled to the same under the terms of said Deed of Trust.
Witness my hand, this the 27th day of March, 1916.
W. BOYCE,
Substitute Trustee.

CITATION BY PUBLICATION IN DELINQUENT TAX SUITS.
THE STATE OF TEXAS,
And County of Deaf Smith.
To Leo Taylor, Duro Austin, Abe Goldman and Louis Goldman and all persons owning or having or claiming any interest in the land or lots hereinafter described, the same being delinquent to the State of Texas and County of Deaf Smith for taxes, and the same lying and being situated in the County of Deaf Smith, and State of Texas, to-wit: The south E 2 of Survey No. 17, Abstract 202, Certificate No. 34 G, containing 320 acres, which said property is delinquent to the State of Texas and County of Deaf Smith for taxes for the year 1914, aggregating the sum of \$26.00, including interest, penalties and costs, said taxes having been legally levied, assessed and rendered against said land and lots, and the same being a lawful charge and constituting a prior lien against the same in favor of the State of Texas and County of Deaf Smith, to secure the payment thereof.
AND YOU ARE HEREBY COMMANDED to be and appear before the Honorable District Court of Deaf Smith County, Texas, at the next regular term thereof, to be held at the Courthouse of said County, in the city of Hereford on the first Monday in May A. D. 1916, the same being the first day of May A. D. 1916, then and there to show cause why judgment should not be rendered against you and the said land and lots sold under foreclosure of said lien to satisfy said taxes, interest, penalties and costs, and all court costs; all of which, together with other and further relief, general and special, being fully set out and prayed for in the plaintiff's original petition filed in said court on the 10th day of March, 1916, and appearing on the docket thereof as suit No. 941, wherein the State of Texas is plaintiff, and J. E. Alley and all persons owning or having or claiming any interest in said land or lots, defendants.
Given under my hand and seal of said Court, at office in the City of Hereford, in the County of Deaf Smith, this 3rd day of April A. D. 1916.
A. O. THOMPSON,
Clerk, District Court,
Deaf Smith County, Texas.
By J. S. JONES,
(SEAL) Deputy.

CITATION BY PUBLICATION IN DELINQUENT TAX SUITS.
THE STATE OF TEXAS,
And County of Deaf Smith.
To Mrs. Nellie Wooten Townsend and all persons owning or having or claiming any interest in the land or lots hereinafter described, the same being delinquent to the State of Texas and County of Deaf Smith for taxes, and the same lying and being situated in the County of Deaf Smith, and State of Texas, to-wit: The S. E. 1/4 of Survey No. 46, Abstract No. 948, Certificate No. 336, which said property is delinquent to the State of Texas and County of Deaf Smith for taxes for the years 1910, 1911 and 1912, aggregating the sum of \$34.77, including interest, penalties and costs, said taxes having been legally levied, assessed and rendered against said land and lots, and the same being a lawful charge and constituting a prior lien against the same in favor of the State of Texas and County of Deaf Smith, to secure the payment thereof.
AND YOU ARE HEREBY COMMANDED to be and appear before the Honorable District Court of Deaf Smith County, Texas, at the next regular term thereof, to be held at the Courthouse of said County, in the city of Hereford on the first Monday in May A. D. 1916, the same being the first day of May A. D. 1916, then and there to show cause why judgment should not be rendered against you and the said land and lots sold under foreclosure of said lien to satisfy said taxes, interest, penalties and costs, and all court costs; all of which, together with other and further relief, general and special, being fully set out and prayed for in the plaintiff's original petition filed in said court on the 10th day of March, 1916, and appearing on the docket thereof as suit No. 978, wherein the State of Texas is plaintiff, and Mrs. Nellie Wooten Townsend and all persons owning or having or claiming any interest in said land or lots, defendants.
Given under my hand and seal of said Court, at office in the City of Hereford, in the County of Deaf Smith, this 3rd day of April A. D. 1916.
A. O. THOMPSON,
Clerk, District Court,
Deaf Smith County, Texas.
By J. S. JONES,
(SEAL) Deputy.

Two Hundred Homeless.
Fire starting in a barn at Tulsa, Okla., destroyed several dwellings and did damage estimated at \$40,000. About 200 people were rendered homeless. A high wind rendered the services of the firemen ineffective.

Shot at by Snipers.
Drivers of wagon trains arriving at Columbus, N. M., reported encountering Mexican snipers along the Casas Grandes-Columbus road. No Americans were hit.

Kansas Prairie Fires.
Prairie fires starting near Leoti, Kan., burned over seventy miles before being checked.

THE MARKETS.
Dallas Cotton and Grain.
Dulles, March 27 - Cotton: Middling fair, 12 1/2c; strict good middling, 12.50c; good middling, 12.25c; middling, 11.75c; low middling, 10.87c; strict low middling, 10.87c; strict good ordinary, 10.25c; good ordinary, 9.75c.
Grain - Corn: Texas white, 78 to 82c; mixed, 70 to 82c, delivered in carlots at Dallas. Wheat, per bushel, at Dallas mills, \$1.10. No. 2 basis soft, Oats: Texas red, 44 to 46c per bushel, in sacks; 42 to 44c in bulk.

Fort Worth Livestock.
Fort Worth, March 27 - Cattle: Cows, \$4.00 to \$6.75; bulls, \$4.50 to \$6.75; heifers, \$6.00 to \$8.00; calves, \$6.50 to \$8.25; stockers, \$6.00 to \$7.10. Hogs: Range from \$7.50 to \$9.10; pigs, \$4.50 to \$5.95. Sheep: \$8.00 to \$8.75. Lambs, \$8.50 to \$10.50. Goats, \$3.50 to \$5.00.

CITATION BY PUBLICATION IN DELINQUENT TAX SUITS.
THE STATE OF TEXAS,
And County of Deaf Smith.
To B. Hook and all persons owning or having or claiming any interest in the land or lots hereinafter described, the same being delinquent to the State of Texas and County of Deaf Smith for taxes, and the same lying and being situated in the County of Deaf Smith, and State of Texas, to-wit: All of lot or block No. 3, Ross Addition to the town of Hereford, which said property is delinquent to the State of Texas and County of Deaf Smith for taxes for the years 1908, 1909, 1910, 1911, 1912, 1913 and 1914, aggregating the sum of \$37.97, including interest, penalties and costs, said taxes having been legally levied, assessed and rendered against said land and lots, and the same being a lawful charge and constituting a prior lien against the same in favor of the State of Texas and County of Deaf Smith, to secure the payment thereof.
AND YOU ARE HEREBY COMMANDED to be and appear before the Honorable District Court of Deaf Smith County, Texas, at the next regular term thereof, to be held at the Courthouse of said County, in the city of Hereford on the first Monday in May A. D. 1916, the same being the first day of May A. D. 1916, then and there to show cause why judgment should not be rendered against you and the said land and lots sold under foreclosure of said lien to satisfy said taxes, interest, penalties and costs, and all court costs; all of which, together with other and further relief, general and special, being fully set out and prayed for in the plaintiff's original petition filed in said court on the 10th day of March, 1916, and appearing on the docket thereof as suit No. 953, wherein the State of Texas is plaintiff, and William J. Hacke and all persons owning or having or claiming any interest in said land or lots, defendants.
Given under my hand and seal of said Court, at office in the City of Hereford, in the County of Deaf Smith, this 3rd day of April A. D. 1916.

CITATION BY PUBLICATION IN DELINQUENT TAX SUITS.
THE STATE OF TEXAS,
And County of Deaf Smith.
To J. E. Alley and all persons owning or having or claiming any interest in the land or lots hereinafter described, the same being delinquent to the State of Texas and County of Deaf Smith for taxes, and the same lying and being situated in the County of Deaf Smith, and State of Texas, to-wit: All of lot or block No. 3, Ross Addition to the town of Hereford, which said property is delinquent to the State of Texas and County of Deaf Smith for taxes for the years 1908, 1909, 1910, 1911, 1912, 1913 and 1914, aggregating the sum of \$37.97, including interest, penalties and costs, said taxes having been legally levied, assessed and rendered against said land and lots, and the same being a lawful charge and constituting a prior lien against the same in favor of the State of Texas and County of Deaf Smith, to secure the payment thereof.
AND YOU ARE HEREBY COMMANDED to be and appear before the Honorable District Court of Deaf Smith County, Texas, at the next regular term thereof, to be held at the Courthouse of said County, in the city of Hereford on the first Monday in May A. D. 1916, the same being the first day of May A. D. 1916, then and there to show cause why judgment should not be rendered against you and the said land and lots sold under foreclosure of said lien to satisfy said taxes, interest, penalties and costs, and all court costs; all of which, together with other and further relief, general and special, being fully set out and prayed for in the plaintiff's original petition filed in said court on the 10th day of March, 1916, and appearing on the docket thereof as suit No. 953, wherein the State of Texas is plaintiff, and J. E. Alley and all persons owning or having or claiming any interest in said land or lots, defendants.
Given under my hand and seal of said Court, at office in the City of Hereford, in the County of Deaf Smith, this 3rd day of April A. D. 1916.

CITATION BY PUBLICATION IN DELINQUENT TAX SUITS.
THE STATE OF TEXAS,
And County of Deaf Smith.
To J. E. Alley and all persons owning or having or claiming any interest in the land or lots hereinafter described, the same being delinquent to the State of Texas and County of Deaf Smith for taxes, and the same lying and being situated in the County of Deaf Smith, and State of Texas, to-wit: All of lot or block No. 3, Ross Addition to the town of Hereford, which said property is delinquent to the State of Texas and County of Deaf Smith for taxes for the years 1908, 1909, 1910, 1911, 1912, 1913 and 1914, aggregating the sum of \$37.97, including interest, penalties and costs, said taxes having been legally levied, assessed and rendered against said land and lots, and the same being a lawful charge and constituting a prior lien against the same in favor of the State of Texas and County of Deaf Smith, to secure the payment thereof.
AND YOU ARE HEREBY COMMANDED to be and appear before the Honorable District Court of Deaf Smith County, Texas, at the next regular term thereof, to be held at the Courthouse of said County, in the city of Hereford on the first Monday in May A. D. 1916, the same being the first day of May A. D. 1916, then and there to show cause why judgment should not be rendered against you and the said land and lots sold under foreclosure of said lien to satisfy said taxes, interest, penalties and costs, and all court costs; all of which, together with other and further relief, general and special, being fully set out and prayed for in the plaintiff's original petition filed in said court on the 10th day of March, 1916, and appearing on the docket thereof as suit No. 953, wherein the State of Texas is plaintiff, and J. E. Alley and all persons owning or having or claiming any interest in said land or lots, defendants.
Given under my hand and seal of said Court, at office in the City of Hereford, in the County of Deaf Smith, this 3rd day of April A. D. 1916.

CALOMEL DYNAMITES YOUR LIVER! "MAKES YOU SICK" AND SALIVATES

"Dodson's Liver Tone" Starts Your Liver Better Than Calomel and You Don't Lose a Day's Work

Liven up your sluggish liver! Feel fine and cheerful; make your work a pleasure; be vigorous and full of ambition. But take no nasty, dangerous calomel because it makes you sick and you may lose a day's work.

Calomel is mercury or quicksilver which causes necrosis of the bones. Calomel crashes into your bile when dynamite breaks it up. That's why you feel that awful nausea and cramping. Listen to me! If you want to enjoy the most, gentlest, liver and bowel cleansing you ever experienced just take a spoonful of harmless Dodson's Liver

Tone tonight. Your druggist or dealer sells you a 50 cent bottle of Dodson's Liver Tone under my personal money-back guarantee that each spoonful will clean your sluggish liver better than a dose of nasty calomel and that it won't make you sick.

Dodson's Liver Tone is real liver medicine. You'll know it next morning because you will wake up feeling fine, your liver will be working; headache and dizziness gone; stomach will be sweet and bowels regular.

Dodson's Liver Tone is entirely vegetable, therefore harmless and can not irritate. Give it to your children. Millions of people are using Dodson's Liver Tone instead of dangerous calomel. Your druggist will tell you that the sale of Calomel is almost stopped, entirely here.



Get a Fresh Start!

For men who get away to a false start on a pipe or home-made cigarette, Prince Albert has a word or two for what ails their smoke appetites!

Forget you ever tried to smoke, for Prince Albert is so different, such a fine flavor, so cool and cheerful and friendly, you'll get a new idea of what the pipe and process are for—and cuts out life and parch.

And this little pamphlet is also for men who think they're on the right track. All to be sure, is that whenever you lay out a nickel or a dime for a supply of Prince Albert, the sooner you'll make a discovery that'll be worth a lot to your peace of mind and pocket!

Buy Prince Albert all over the world. It's the only cigarette that's been made in England since 1875. It's the only cigarette that's been made in England since 1875. It's the only cigarette that's been made in England since 1875.



The Hereford Brand

F. F. GUTHRIE, Editor

Established April 21, 1901, in the postoffice at Hereford, Texas, as second-class mail matter. First number of the paper issued February 21, 1901, as the Hereford Reporter; first number of The Brand issued March 21, 1902.

Subscription Price \$1.50 Per Year, Strictly in Advance

Any erroneous statement affecting the character or reputation of any individual or firm which may appear in The Brand, will be gladly corrected upon being brought to the attention of the publishers.

1916 APRIL 1916

SUN	MON	TUE	WED	THU	FRI	SAT
						1
2	3	4	5	6	7	8
9	10	11	12	13	14	15
16	17	18	19	20	21	22
23	24	25	26	27	28	29

THEN AND NOW

How would that philosophical treatise about "How a Fly Walks on the Ceiling" look in one of the readers today? How have the mighty fallen.

Unfortunately, the freedom with which we express our opinions is not an indication of superior wisdom, otherwise all editors might be great. We venture the assertion that the country editor, who devotes his columns to matters of direct interest to his readers; who concerns himself with things vital to the progress and well being of his immediate community, is of greater service than the one who rants continuously upon "live questions," which, to say the least, he knows no more about than the city editors, whose elaborate space fillers thrash these things out from every possible view point, and whose papers are in every home.

There are instances when treatment of these "live questions" is timely and even imperative, but if they were discussed solely at these times and with the purpose of edifying the home readers, these scintillating bits of wisdom would appear much less frequently. That's our opinion.

COLONIZATION AND FARMING PROJECT

J. M. Jemison returned early in the week from a visit to Houston and several other points in South Texas. Among others he visited J. D. Clewis, of Thornton, Texas, who has lately bought the A. J. Florey ranch and farm, 45 miles north of Midland. Mr. Clewis will be here shortly, in person, and this fall he expects to locate 20 white families on his holdings. That is a great farming section. Last year Mr. Florey raised more than 10,000 bushels of corn alone. Mr. Clewis will farm on an even larger scale.

The above is from the Midland Reporter. It shows a growing interest in plains lands. Some move of that kind is much needed in this section. There are thousands of acres of fertile land here where it takes from five to ten acres to support a cow under present conditions, that under intelligent handling, with silos and irrigating plants, could feed ten times the number.

Then—
"Baby Bye,
Here's a fly,
Let us watch him
You and I."

Now—
"Baby Bye,
Here's a fly,
Let us swat him
You and I."

Specials! Specials!! Specials!!!
at the Fair. 93

Easter novelties at the Fair. 102t
Special on lawn hoes at the Fair. 103t

Special on lawn hoes at the Fair. 103t

A good hoe for 25c at the Fair. 102t

It's Class.
"Here's a funny story about getting a seat in a crowded car."
"That's a standing joke."—Exchange

TEXAS NEWS BRIEFLY NOTED

MATTERS THAT PERTAIN TO THE LONE STAR STATE NARRATED.

PARAGRAPHS THAT INTEREST.

Events That Have Become Realities Told in Type and Others Soon to Come to Pass. Will Be Found in a Compressed Form.

Denison will have a Rotary club. Marlin is after the proposed inter-urban line to Temple. Two fine residences burned at Dallas. Loss was \$18,000. Eleven centenarians died in Texas in January. Two oldest were 116 years each. Many Duroc-Jersey hogs are being raised in the Irwin community of Hill county.

Panhandle Bankers' association is to hold its annual convention June 6-7 at Amarillo.

In January there were 6,130 births, including fifty-six sets of twins, and 3,306 deaths, in Texas.

A Moose lodge with seventy-five as its charter membership has been organized at Vernon.

Claude Bright and J. H. and J. E. Witherspoon report killing fifty-seven rattlesnakes near Ballinger.

Amarillo's \$50,000 paving bond issue was sold to a Chicago company for par and accrued interest.

Charles Beal, a Houston Post storekeeper, died at El Paso, where he had gone for his health. A widow is left.

John Watson, a negro charged with participating in the robbery of T. M. Floyd at Dallas, got forty years in the penitentiary.

Marlin taxpayers at the regular city election in April will vote on a \$12,500 bond issue proposition for a modern municipal building.

Up to March 1 fifteen carloads of hogs were shipped from Graham this winter. Farmers have much meat in their smokehouses.

Senators Culberson and Sheppard both voted to table the resolution providing for warning Americans to keep off armed ships.

Ed Faulkner, charged at Tyler with criminal assault on a white girl eleven years old, was convicted and given life imprisonment.

The attorney general's department has approved a \$17,000 bond issue of Fort Lavaca for street improvement, 40-5c, bearing 5 per cent interest.

Several small tanks and a storage house of the Gulf Refining company, at Mount Pleasant containing gasoline and oil burned; loss about \$6,000.

Ulric Parker of Brownsville, who has been interned since last June, has been ordered released by the British government from Edinburgh prison.

During the revival at Fisher, conducted by Rev. W. J. Harney of Kentucky, a Methodist evangelist, were seventy-five conversions and reclamations.

Rev. W. A. Wray, who was pastor of the First Baptist church of Stamford, has assumed the pastorate of the First Baptist church of Sandersville, Georgia.

Bulletins announcing the coming rural life school and the summer normal at the agricultural and mechanical college June 16 to July 29 are being mailed out.

A Weatherford firm shipped a carload of eggs to New York, receiving \$3,000. Egg shipments have the past three weeks been heavy from the Parker county capital.

Mrs. Mary E. Lusk, widow of the late Robert T. Lusk, both well known at Galveston and San Antonio, died at Austin, aged eighty years. Burial was at San Antonio.

Wichita county's \$225,000 bond issue for a new courthouse was sold to a San Antonio buyer for par, accrued interest and \$9,564 premium. There were twenty-four bidders.

The barking of her dog attracted the attention of Mrs. Laura Matson of Dallas. Investigating, a baby boy a month old, wrapped in a quilt, was found near the front gate.

Sam S. Butler, traffic manager of the gulf coast lines, has resigned to accept a position with the St. Louis and San Francisco railway under W. E. Biddle, chief traffic officer and receiver.

Kaffir, Schleicher county, south of San Angelo, claims to be the youngest town in Texas. One year ago its site was a houseless prairie. Kaffir has a good school, churches and several stores.

Owing to rust during the fall, one of Cooke county's largest wheat growers says that county will not raise one-fourth of last year's production. A number of the largest wheat fields are being sown in oats and planted in corn.

Gets Mexicans for Bootlegging

Two Mexicans were tried here this week on charge of bootlegging. One plead guilty and was fined \$25. The other stood trial and got a fine and jail sentence too.

Another was convicted of carrying concealed weapons and flourishing them, and was fined \$100.00.

Clean Up

The inclement weather has interfered to some extent with the work of cleaning up the city, which was so enthusiastically begun Monday. Much will doubtless be accomplished during the week, but don't be afraid of violating any ordinances by just keeping right on, provided you don't get through this week. Take a personal pride in the matter. Push! Don't wait to be pushed. Clean up and clean up NOW.

NOW FOR CO-OPERATION

The city election has passed, and we have chosen the men who are to direct the business affairs of the city for the next two years. They are our officers now whether they were our first choice or not, and they should have our kindly and generous co-operation. Judge Knight, who has been again chosen Mayor, has served the people in that capacity well. He is a man well fitted for the office, being an attorney of high rank. He is especially fitted to pass on the many legal points that naturally arise in conducting the city affairs. He is a man of pleasant address and good business ability. During the two years of his present administration he has taken a keen interest in the city's welfare—giving much of his thought and time to the work. He has been a close student of what is being done in the best towns in civic improvement. With the co-operation of all people will accomplish much for the improvement of the town in the next two years.

Messrs. Ashbrook and Cardwell are both good conservative business men, with a keen interest in the city's welfare. Now, let's all work together for a cleaner, bigger and better Hereford.

Whenever You Need a General Tonic Take Grove's

The Old Standard Grove's Tasteless Chill Tonic is equally valuable as a General Tonic because it contains the well known tonic properties of QUININE and IRON. It acts on the Liver, Drives out Malaria, Enriches the Blood and Builds up the Whole System. 50 cents.

Crabs and Lobsters

There are many curious points about crabs and lobsters. Every one of either genus is provided with a big claw for crushing and a small claw adapted by its shape for cutting as scissors do. With these two claws they tear the food they capture into fragments and feed themselves literally from "hand to mouth." But there is every reason to suppose that the claws are intended quite as much for fighting as for eating purposes, inasmuch as such powerful hands are not needed for devouring the soft food they prefer.

New Meat Market

Messrs. Jim Carroll and Homer Wilkenson have rented the building now occupied by the Star Theatre and will put in a meat market and restaurant about May 1st. It is to be known as the White House Meat Market. They contemplate putting in a first-class lunch room, such as will be a credit to the town, and will handle the best meats obtainable. These gentlemen are both good business men, and they will doubtless do a good business.

A good hoe for 25c at the Fair. 102t

Coming

To your home. Get ready. Have your premises swept and garnished against the day when the garbage man shall come for your tin cans, old pots, pans, dishes, glass and sundries. He'll be there this week and it won't cost you a cent. The city will pay the bill. It's a bargain, grasp it.

A good hoe for 25c at the Fair. 102t

We supply ranchmen's wants at the Fair. 93

I am prepared to make good loans on real estate. 10 per cent first year, 8 per cent thereafter. Good terms.

E. F. CONNELL

POLITICAL ANNOUNCEMENTS

The Brand has been authorized to make the following announcements for nomination, subject to the action of the Democratic Primaries:

For Sheriff and Tax Collector—
C. E. WHEELER
E. F. CONNELL
CHAS. S. PURCELL
GEO. CLOYD.

For County Judge (Castro County.)
B. D. WOODLEE.

For Representative 123rd District—
T. J. TILSON (Hale County)



SPECIAL EXCURSIONS

Account

Meeting of Texas Federation of Labor, Houston, Texas, April 24-20. On sale April 22, tickets to Houston and return at rate of fare and one-third; final return limit May 23.

Account dedication of West Texas State Normal, Canyon, Texas, April 21-22, and will sell tickets to Canyon on these dates at rate of fare and one-third for the round trip; final return limit April 23.

For reduced rates to Texas Health Resorts, call on or Phone No. 34.

D. L. Thornbury

Agent



Sixty Years the Standard



BAKING POWDER

Made from cream of tartar derived from grapes. **NO ALUM**

10 yards 15c gingham for 95c on Saturdays at the Fair. 103t

10 yards 15c gingham for 95c on Saturdays at the Fair. 103t

10 yards 15c gingham for 95c on Saturdays at the Fair. 103t

Will Sing in

CANYON, APRIL 21

JULIA CULP

TICKETS \$1.50

WRITE TO C. W. WARWICK

VILLA SURROUNDED!

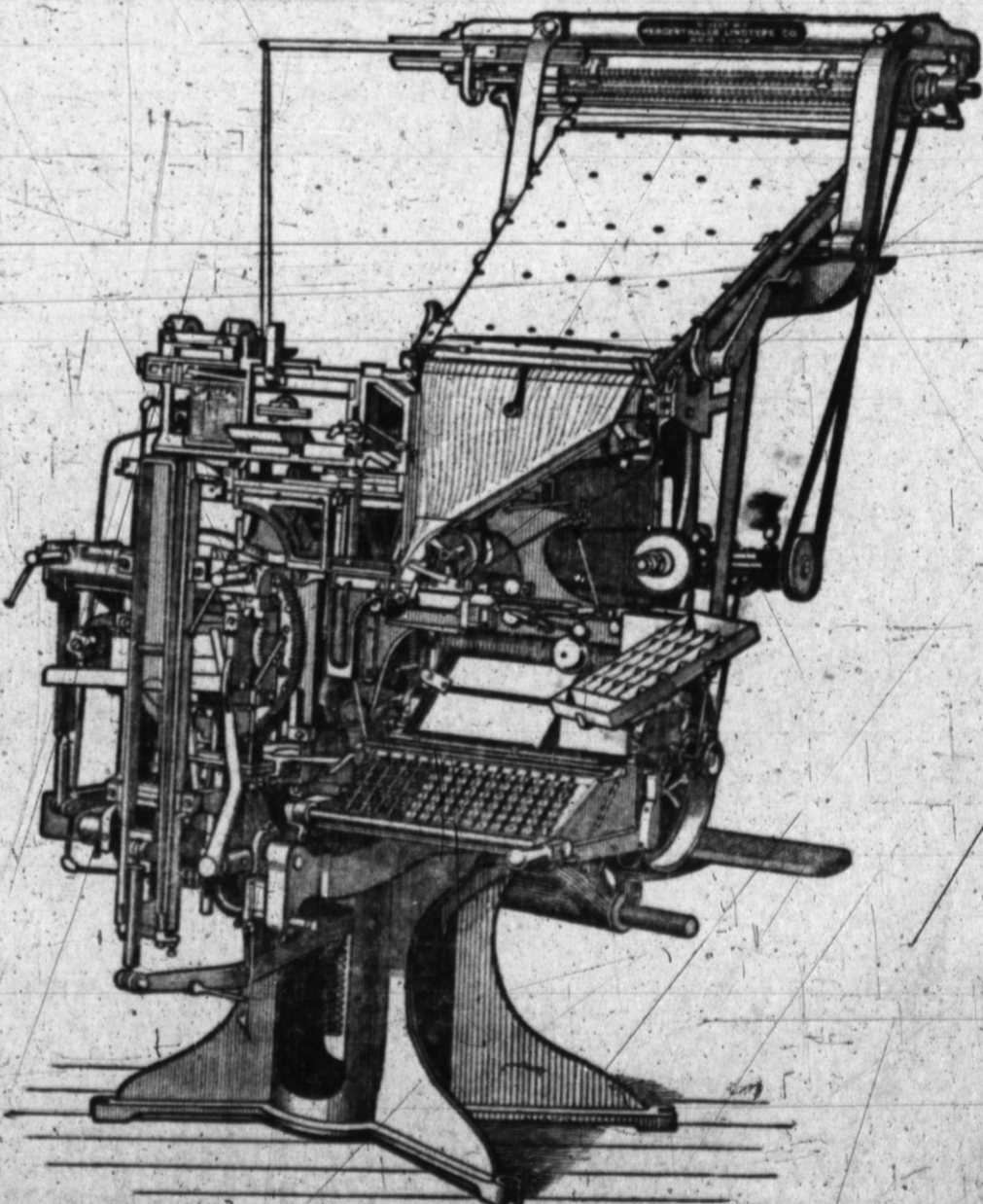
Let us "surround" you with good clothes, and you will be "surrounded" with admiring friends Easter Day.

SPECIAL PRICES

On all Esater orders for suits. We guarantee a perfect fit, expert workmanship, and all wool, or your "wheels" back.

BEENE & BENNETT

PLACE FOR CLEANING AND PRESSING



The Linotype Machine ordered by the Brand



Come to us for Your Spring Tonic

If you want to feel good all Spring and Summer begin now and take a Spring Tonic. It will clean your system of the poisons absorbed during the winter and put "pep" in you.

Bring us your prescriptions—we fill them right. Buy all your drug store things from us, we sell them right.

Betts-Clark Druggists
THE NYAL STORE

Local and Personal

Announcement

The meeting of the Parent-Teachers' Club which comes regularly on Friday afternoon has been postponed until Friday evening at 8 o'clock. The debate scheduled for the last meeting will be given at this time.

A special garden hoses and rakes at the Fair.

To the Men, Women and Children

—Not just to the voters:

This not being written through wishes but being forced to do so. I for one have been trying very hard to serve the people right in every respect, but I have been told by several of my friends that in the past city election that the fire boys have been accused of several things that there isn't a word of truth in. It was also repeated several times that I was out taking a big stand against the old board. This is not so. It is true that some of the boys did take a hand in the race and don't deny it. I tracing this down I find it to

be a man, his first name being Bob Brazil, being for no other reason only campaign talk. It would not amount to anything perhaps, but there are several boys that have tried for about seven years to protect the town from fire, and they do feel that they deserve some consideration. The only thing that they ever asked for was at a meeting about ten days ago and that was that the wagon be kept in readiness with the equipments on it so that at any time the alarm be turned in that they could perform what they felt their duty. But this not being granted was where the boys felt that they could not depend on the wagon the way it had been.

In regard to my race there is being another falsehood they are going to be challenged on later. It may not be proper to say anything but I believe a candidate has feelings and personal rights the same as a human being.

Written and signed:

C. S. Purcell.

CONE JOHNSON



Cone is a large black Spanish Jack

14 1-2 hands high, large bone and extra good foal getter. He is making the season at my barn 6 miles south of Hereford, known as the Funk place.

\$10 to Insure Living Colt

Not responsible for accidents, should any occur. In case of change of ownership or if mare is mare is moved from county, season is then due.

J. B. MULLIN

Six Miles South of Hereford

CITATION BY PUBLICATION

THE STATE OF TEXAS:

To the Sheriff or any Constable of Deaf Smith County, Greeting—

You are hereby commanded that you summon, by making publication of this Citation, in some newspaper published in the County of Deaf Smith, if there be a newspaper published therein, but if not, then in any newspaper published in the Sixty-ninth Judicial District; but if there be no newspaper published in said Judicial District, then in a newspaper published in the nearest district to said Sixty-ninth Judicial District, for four weeks previous to the return day hereof:

M J Akers, M Armeur, P P Barlow, R P Berry, W F Berry, J A Blair, J A Boid, Geo P. Brown, Sam J Brown, M T Bruce, M. T Bruce & Co, Mrs M A Byars, W A Cassidy, J F Carpenter, R H Chaffe & Co Ltd, Alonzo Chambers, R A Chamberlain, Creed Click, Jr, W H Coffelt, Jas M Cook, Mrs Leta E Cook, Henry R Cox, H M Craimer, Geo A Crutchfield, Addie B Davis, J R Dean, Thos H Dean, W J DeBardelaben, Fred W DeBoice, Luther (Lute) Dickson, Claude Dickey, J M Dickey, Geo. M. Dillard & Co, Joseph T Donovan, B A Dye, Joe Dykes, J L Dykes, R A East, E. Eppstein, H H Hollander, H W Eubanks, W J Farwell, W S Field, Geo. Finch, Mark Finnicum, Edward Freeman, A L Frisbie, G W Gains, R M Gano, W R Griffith, W H Grigsby, Perry Guina, A C Hahn, C D Hope, A Horner, F C Highsmith, B How, Berkeley How, I N Hunnicutt, W E Hunnicutt, C T Hunter, G A Hutchins, Clara C Hyatt, I A Jackson, W H Jackson, W A Jarrell, A B Johnson, James S Jones, Steve Karr, S W Karr, R S Kelly, W H Kelly, John King, W T King, Minnie Kirkland, O H Kirkland, J D Koohts, J Krause, J Laing, Charles Lee, J H Long, W S Mabry, J A Mahers, J E Martin, S K Mercer, T F Mitchell, Warren W Moore, H Munson, Jas Murphy, Don McArthur, Abbie McBride, Dave McBride, Jas McMasters, D J McNamara, Nix, Halsell & Co, Emmett Powers, J H Randle, A J Rayfield, J M Robison, Ed Rogers, John Ryan, M Rosenfield, Chas Sanders, M N Sevier, Tennie Sevier, W T Skeins, Milton F Speer, Mrs. B P Stovall, B Pink Stovall, M E Stovall, Wm Stunkie, E L Sturdevant, Duncan Sutthen, A C Tadlock, A J Tadlock, J N Talley, George Taylor, Charley Thompson, Annie Thyphen, Mrs Annie B Turner, R P Vasser, J S Vaughn, Chas Wheeler, T J Wilson, H E Wesley, R R Wheatley, F White, F A White, H N Wilsey, W H Wooten, W T Word, J F Witherspoon, W D Witherspoon, and John M Witherspoon, N S McGee, Al Popham, A L Ridings, J G Ridings, P C Ridings, Sam F Dunn, Lon D Marrs, C E Jowell, J H Jowell, J N Ivey, Louis Arnold, G W Witherspoon, and W W Witherspoon, are Defendants, the nature of the Plaintiff's demand being as follows, to-wit:—Suit is in trespass to try title and to obtain the possession of Section No. 89, Block No. K-7 in Deaf Smith County, Texas.

Herein fail not, and have you before said Court, on the said First day of the next term thereof, this Writ, with your endorsement thereon, showing how you have executed the same.

[t.s.] Given under my hand and seal of said Court, at office in Hereford, this the 4th day of April, A. D. 1916.

A. O. Thompson, Clerk.

District Court, Deaf Smith County, Texas.

By J. S. Jones, Deputy.

CITATION BY PUBLICATION IN DELINQUENT TAX SUITS. THE STATE OF TEXAS.

And County of Deaf Smith.

To National Reserve Bank of Kansas City, Mo., and all persons owning or having or claiming any interest in the land or lots hereinafter described, the same being delinquent to the State of Texas and County of Deaf Smith for taxes, and the same lying and being situated in the County of Deaf Smith, and State of Texas, to-wit: Survey No. 40, Abstract No. 1002, Certificate No. 92, containing 640 acres, which said property is delinquent to the State of Texas and County of Deaf Smith for taxes for the year 1915, aggregating the sum of \$42.69, including interest, penalties and costs, said taxes having been legally levied, assessed and rendered against said land and lots, and the same being a lawful charge and constituting a prior lien against the same in favor of the State of Texas and County of Deaf Smith to secure the payment thereof.

AND YOU ARE HEREBY COMMANDED to be and appear before the Honorable District Court of Deaf Smith County, Texas, at the next regular term thereof, to be held at the Courthouse of said County, in the City of Hereford on the first Monday in May, A. D. 1916, the same being the first day of May, A. D. 1916, then and there to show cause why judgment should not be rendered against you and the said land and lots sold under foreclosure of said lien to satisfy said taxes, interest, penalties and costs, and all court costs, all of which, together with other and further relief, general and special, being fully set out and prayed for in the Plaintiff's original petition filed in said court on the 10th day of March, 1916, and appearing on the docket thereof as suit No. 994, wherein the State of Texas is Plaintiff, and National Reserve Bank of Kansas City, Mo. and all persons owning or having or claiming any interest in said land or lots, defendants.

Given under my hand and seal of said Court, at office in the City of Hereford, in the County of Deaf Smith, this 3rd day of April, A. D. 1916.

A. O. THOMPSON, Clerk, District Court, Deaf Smith County, Texas.
By J. S. JONES, Deputy.

BAD STOMACH TROUBLE

Yields to Delicious Vinol

Shreveport, La.—"I had a bad stomach trouble for years and became so weak I could hardly walk or do any work. My appetite was poor, my food would not digest, I bloated and was very weak and nervous. I tried many remedies without help. I saw Vinol advertised and tried it, and now my stomach trouble is completely cured and I am well."—E. L. MARSHALL.
Vinol is guaranteed to tone up the tired, over-taxed and weakened nerves of the stomach and create strength.

Corner Drug Store, Stocking & McLean Props., Hereford, Texas.

England, Germany and France Agree

on one thing, if on no other. They all prohibit the sale of alum baking powders.

There must be a good reason for this, because alum was found to be un-
ful.

Price's Cream Baking Powder is made of cream of tartar, derived from grapes, a natural food product, and contains no alum nor other questionable ingredients.

DR. PRICE'S CREAM BAKING POWDER

MADE FROM CREAM OF TARTAR
DERIVED FROM GRAPES

A good rake at the Fair for 25c.	93	Rev. W. M. Baker, Messrs. G. M. Suggs, and Allen Bell and Messdames Alice Lee and Chas. Donald went to Canyon to attend the presbytery.
A dandy clothes line and 36 pins at the Fair for 35c; worth 75c.	93	A good broom for 30c at the Fair.
Rev. Bone of Hale Center; was here the first of the week.		103t
A new line of dishes at the Fair. Prices right.	93	Mrs. L. Short of Hamilton, Kansas, and Mrs. Frank Humphrey, of Kansas City, are here visiting Mr. A. C. Thompson.
Good broom for 35c The Fair.	34f	A good broom for 30c at the Fair.
Easter novelties at the Fair.	102t	103t

Car Load New Furniture

We are unloading a big car of new furniture this week and are placing these goods on our first floor as fast as possible. We pride ourselves in keeping up our big stock in first class condition at all times. When you come to our store we have a vast assortment for you to select from—which enables you to get what you want.

Our motto for 1916 is a larger volume of business—on a small margin of profit. We are in position to sell you goods at much less price than you can procure the same quality of goods from any source whatever. Live and let live is our policy. We are satisfied with small profits.

Bed Room Furniture

We have on display some of the newest and most attractive bed room furniture we have ever shown.

Anything you want in Oil Ivory.
Anything you want in Birds Eye.
Anything you want in Circassian Walnut.
Anything you want in Mahogany.
Anything you want in Golden Oak.
All of this furniture is in Period Styles.

Dining Room Furniture

We show the most remarkable line of Dining Room Furniture. Our stock of these goods would do credit to a city of twenty thousand. The main difference we can sell you a suit of Dining Furniture for 25 per cent less than the larger places would charge you. We show all the new finishes.

Library Furniture

Our many styles, as well as our new finishes, go to make up a most attractive display of these goods. We have the Dufford Suits, we have the Couch Suits, we have the Davenport Suits. Can match up everything with Glor. Wernicke book cases.

Brass and Metal Beds

Our Bed department is brim full of the best of things in this line. Also have the life time guaranteed springs and the best mattress shades. We guarantee our prices to be lowest.

Floor Coverings

It would surprise you to see our mammoth stock of Art. Rugs, Linoleum and Matting Rugs. Congoleum rugs for dining rooms. We always have it for less.

E. B. Black Co.

FURNITURE AND UNDERTAKING—HEREFORD, TEXAS

Churches

CHURCH DIRECTORY

Methodist
J. E. Hanson - Pastor
E. B. Black - S. S. Supt.
 Sunday School 9:45
 Preaching 11:00 a.m.
 and 8:00 p.m.
Epworth League 4:00 p.m.
Mid-week Prayer meeting Wednesday 8:00 p.m.

Christian
Dr. G. A. Faris - Pastor
W. E. Dameron - S. S. Supt.
Mrs. E. E. Ramsey, Primary Supt.
Mrs. E. T. Barnett, Supt. Int. Department
Miss B-ulah Wright
Y. P. S. C. E., Miss Waldine Wilson, President.
 Supt. Junior Dept.
 Sunday School 10:00 a.m.
 Preaching 11:00 "
 Junior Endeavor 2:30 p.m.
 Intermediate " 3:00 "

Church of Christ
J. Frank Copeland - Pastor
 Bible reading 10 A. M.
 Communion 11 A. M.
 Preaching every first Sunday.

Baptist Church
R. E. L. Farmer, Pastor.
Luther Hough, Clerk.
A. O. Thompson, Treasurer.
E. W. Harrison, S. S. Supt.
Mrs. W. E. Hicks, Pres. Aid Society.
Miss Dot Owen, Pres. B. B. P. U.
 Sunday School 9:45 a. m.
 Preaching 11 a. m. and 8:00 p. m.
 Prayer meeting, Wednesday 7:30 p. m.
 The public is cordially invited to attend all these services.

Presbyterian
W. M. Baker - Pastor
J. E. Garrison - S. S. Supt.
Miss Velma Green, Pres. Y. P. S. C. E.
 Sunday School 9:45 A. M.
 Preaching 11 A. M. and 7:15 P. M.
 Prayer Meeting, Wednesday evening.

Lutheran
O. E. Schmid - Pastor
 Services held at Court house.
 Sunday School 10 A. M.
Jake Triefel, Supt.

The ladies of the C. W. B. M. were entertained, on Monday, at the hospitable home of Judge and Mrs. L. Gough at Sulphur Park, in an all day meeting.
 An elaborate dinner was served at the noon hour and the afternoon was devoted to the program and social features.
 The lesson study was interesting and helpful under the leadership of Mrs. Ferguson. Appearing on the program with papers and discussions were Mesdames Ramsey, Hill and Barnett.
 The occasion furnished a delightful outing, as well as a most profitable meeting.

League Program
 Leader—Ruth Sites.
 Subject—The Consecration of time, Ps. xc:1-17.
 Song.
 Business.
 Responsive reading of the Psalm.
 Prayer—Leader.
 Reading of Bible references.
 Comment by the Leader, introducing the topic.
 The Psalmist's idea of eternity—
Frank Jessie.
 Special Music—Elizabeth Black.
 The real tragedy of the shortness of life—Clifford Acker.
 Reading—Juanita Caylor.
 Song.
 Sentence prayers.
 The saving hope—Mary Farmer.
 Vocal Solo—Miss Maeel Betts.
 Roll call.
 Song.
 League benediction.

Sunbeam Program
 Song.
 Prayer.
 Business—President in Charge.
 Scripture reading—Lucile Brumley.
 Reading—Mary Valentins.
 Music—Lucile Hicks.
 Story—Louise Rayzor.
 Reading—Loja May Sisk.
 Song.
 Dismissal.

There will be preaching at the Church of Christ Sunday morning and night by Elder Frank Copeland of Canyon. Everybody invited.

hours of ten o'clock a. m., and four o'clock p. m., I. W. Boyce, Substitute Trustee, shall proceed to sell at public outcry in front of the court house door of Deaf Smith County, in Hereford, Texas, to the highest bidder for cash, the following described property situated in Deaf Smith County, Texas, to-wit:
 The southwest one-quarter (S. W. 1-4) of Section No. 36, Township 4 North, Range No. 1, east of a Capitol Syndicate Subdivision, being One Hundred and Sixty (160) acres of land out of Capitol Leagues Nos. 415 and 416, originally patented to Abner Taylor, located in the west side of Deaf Smith County about twenty-seven (27) miles in a northwesterly direction from Hereford.
 Said sale is to be made by me, as Substitute Trustee, the Trustee and Alternate named in the Deed of Trust, hereinafter described, having refused to act, and the holders of said notes having appointed me as Substitute, and at the request of Albert Howison and Robert W. Howison, the present holders of the notes hereinafter mentioned, and by virtue of the authority conferred by the terms of a Deed of Trust executed by L. W. McLennon, dated November 20, 1906, recorded in Volume 4, page 577 of the Deed of Trust Records of Deaf Smith County, Texas, whereby the said L. W. McLennon conveyed to George Findlay, Trustee, the above described property, for the purpose of securing the payment of nine (9) certain notes executed by the said L. W. McLennon and particularly described in said Deed of Trust, and the proceeds of said sale will be applied to the payment of the balance due upon said notes, the taxes on said land for the years 1913, 1914, and 1915, as paid by the owners of said notes, together with interest thereon, and the expense of making said sale, and the remainder, if any, will be paid to the persons entitled to the same under the terms of said Deed of Trust.
 Witness my hand, this 27th day of March, 1916.
 W. BOYCE,
 Substitute Trustee.

TRUSTEE'S NOTICE OF SALE.
 Notice is hereby given that on the 2nd day of May, 1916, between the hours of ten o'clock a. m., and four o'clock p. m., I, W. Boyce, Substitute Trustee, shall proceed to sell at public outcry in front of the court house door of Deaf Smith County, in Hereford, Texas, to the highest bidder for cash, the following described property situated in Deaf Smith County, Texas, to-wit:
 The northeast one-quarter (N. E. 1-4) of Section No. 23, Township 4 North, Range No. 1, east of a Capitol Syndicate Subdivision, being One Hundred and Sixty (160) acres of land out of Capitol League No. 402, originally patented to Abner Taylor, located in the west side of Deaf Smith County about twenty-seven (27) miles in a northwesterly direction from Hereford.
 Said sale is to be made by me, as Substitute Trustee, the Trustee and Alternate named in the Deed of Trust, hereinafter described, having refused to act, and the holders of said notes having appointed me as Substitute, and at the request of Albert Howison and Robert W. Howison, the present holders of the notes hereinafter mentioned, and by virtue of the authority conferred by the terms of a Deed of Trust executed by L. W. McLennon, dated November 20, 1906, recorded in Volume 4, page 579 of the Deed of Trust Records of Deaf Smith County, Texas, whereby the said L. W. McLennon conveyed to George Findlay, Trustee, the above described property, for the purpose of securing the payment of nine (9) certain notes executed by the said L. W. McLennon and particularly described in said Deed of Trust, and the proceeds of said sale will be applied to the payment of the balance due upon said notes, the taxes on said land for the years 1913, 1914, and 1915, as paid by the owners of said notes, together with interest thereon, and the expense of making said sale, and the remainder, if any, will be paid to the persons entitled to the same under the terms of said Deed of Trust.
 Witness my hand, this 27th day of March, 1916.
 W. BOYCE,
 Substitute Trustee.

TRUSTEE'S NOTICE OF SALE.
 Notice is hereby given that on the 2nd day of May, 1916, between the hours of ten o'clock a. m., and four o'clock p. m., I, W. Boyce, Substitute Trustee, shall proceed to sell at public outcry in front of the court house door of Deaf Smith County, in Hereford, Texas, to the highest bidder for cash, the following described property situated in Deaf Smith County, Texas, to-wit:
 The southeast one-quarter (S. E. 1-4) of Section No. 24, Township 4 North, Range No. 1, east of a Capitol Syndicate Subdivision, being One Hundred and Sixty (160) acres of land out of Capitol League No. 403, originally patented to Abner Taylor, located in the west side of Deaf Smith County about twenty-seven (27) miles in a northwesterly direction from Hereford.
 Said sale is to be made by me, as Substitute Trustee, the Trustee and Alternate named in the Deed of Trust, hereinafter described, having refused to act, and the holders of said notes having appointed me as Substitute, and at the request of Albert Howison and Robert W. Howison, the present holders of the notes hereinafter mentioned, and by virtue of the authority conferred by the terms of a Deed of Trust executed by L. W. McLennon, dated November 20, 1906, recorded in Volume 4, page 585 of the Deed of Trust Records of Deaf Smith County, Texas, whereby the said L. W. McLennon conveyed to George Findlay, Trustee, the above described property, for the purpose of securing the payment of nine (9) certain notes executed by the said L. W. McLennon and particularly described in said Deed of Trust, and the proceeds of said sale will be applied to the payment of the balance due upon said notes, the taxes on said land for the years 1913, 1914, and 1915, as paid by the owners of said notes, together with interest thereon, and the expense of making said sale, and the remainder, if any, will be paid to the persons entitled to the same under the terms of said Deed of Trust.
 Witness my hand, this 27th day of March, 1916.
 W. BOYCE,
 Substitute Trustee.

TRUSTEE'S NOTICE OF SALE.
 Notice is hereby given that on the 2nd day of May, 1916, between the hours of ten o'clock a. m., and four o'clock p. m., I, W. Boyce, Substitute Trustee, shall proceed to sell at public outcry in front of the court house door of Deaf Smith County, in Hereford, Texas, to the highest bidder for cash, the following described property situated in Deaf Smith County, Texas, to-wit:
 The southwest one-quarter (S. W. 1-4) of Section No. 25, Township 4 North, Range No. 1, east of a Capitol Syndicate Subdivision, being One Hundred and Sixty (160) acres of land out of Capitol Leagues Nos. 401 and 402, originally patented to Abner Taylor, located in the west side of Deaf Smith County about twenty-seven (27) miles in a northwesterly direction from Hereford.
 Said sale is to be made by me, as Substitute Trustee, the Trustee and Alternate named in the Deed of Trust, hereinafter described, having refused to act, and the holders of said notes having appointed me as Substitute, and at the request of Albert Howison and Robert W. Howison, the present holders of the notes hereinafter mentioned, and by virtue of the authority conferred by the terms of a Deed of Trust executed by L. W. McLennon, dated November 20, 1906, recorded in Volume 4, page 482 of the Deed of Trust Records of Deaf Smith County, Texas, whereby the said L. W. McLennon conveyed to George Findlay, Trustee, the above described property, for the purpose of securing the payment of nine (9) certain notes executed by the said L. W. McLennon and particularly described in said Deed of Trust, and the proceeds of said sale will be applied to the payment of the balance due upon said notes, the taxes on said land for the years 1913, 1914, and 1915, as paid by the owners of said notes, together with interest thereon, and the expense of making said sale, and the remainder, if any, will be paid to the persons entitled to the same under the terms of said Deed of Trust.
 Witness my hand, this 27th day of March, 1916.
 W. BOYCE,
 Substitute Trustee.

of March, 1916.
W. BOYCE,
 Substitute Trustee.
Joel Jettings
 On account of the blizzard there were only two pupils at the Askree school that day.
 There was a good vote polled at the school election Saturday, only 3 in the district that did not vote. The three directors elected were Messrs. Hardeman, Money and Dalton.
 At the present writing we are enjoying a fine April shower, for which everyone is thankful.
 Jacob Jacobs of Amarillo, was here Sunday visiting Hollis Galley.
 The railroad population at Joel have taken Horace Greeley's advice and moved westward.
 The men are busy with little pigs and calves and the housewives with little chickens and turkeys.
 Julia Culp, the world-famous leader singer, will give a recital in Canyon, April 21. Tickets \$1.50. Write C. W. Watwick

Flies Cured in 6 to 14 Days
 Your druggist will refund money if **PALM OINTMENT** fails to cure any case of itching, biting, stinging or troublesome flies in 14 days. The first application gives ease and rest. See.

We have more varieties of goods than any store in Texas. Come to see us. The Fair. 93

LODGE DIRECTORY

HEREFORD LODGE NO. 949, A. F. & A. M., meets Saturday night on or before the full moon in each month. Visiting brethren cordially invited. Jan. W. S. Brown, W. M.; J. S. Jones, Sec.

WOODMEN OF WORLD Meet every Second and Fourth Saturday night in the I. O. O. F. Hall. Visiting brethren always welcome. C. E. Lester, Consul Commander; C. L. Sullivan, Clerk

HEREFORD REBEKAH Lodge No. 228 holds regular meetings in I. O. O. F. Hall every 1st and 3rd Tuesday at 2 and 7 p. m. Meet promptly at that time. 93

Professional and Business Cards
W. H. RUSSELL
 LAWYER
 Hereford - Texas
ASHBROOK & SUGGS
 Fire, Life and Accident Insurance
 All Kinds of Bonds Executed
 We Are Specialists
 On Fruit and Nut Trees
 Shade and Ornamental Trees
 Shrubs and Evergreens
 Roses and Greenhouse Plants
Hereford Nursery Company
 Emerson System of Expression
 Mrs. Gladys Farmer Kerr will teach the world-known Emerson System of Expression and Physical Culture. All interested Phone 383


GO TO
A. PEDDE
 109 Main St.
 When you want shoes put on shoes and boots that wont come off. All work guaranteed.
 MAKER OF FINE BOOTS

J. FRANK POTTS - A. M. JONES
POTTS & JONES
 BONDED ABSTRACTERS
 Complete Abstract of Title to Deaf Smith County Lands.
 Deaf Smith County Maps for Sale

E. S. IRELAND
 Dimmitt, Texas
 Abstracts - - Land Loans
 Owner of the only set of Abstract Books in Castro County.
 Castro County Maps 50c Each

--FOR--
Auctioneering
 --SEE--
W. S. Williams
 20 years Successful Experience in Sale Ring
 Phone or Write.

LISTEN!



We are never too busy to give our time and efforts to the smallest need of our customers. This service is uniformly extended both to large and small patrons.

We are in the **LUMBER BUSINESS**

Hereford Lumber Co.

CORNER DRUG STORE



When constipation causes headache use

Rexall

Coco Tablets

the laxative tablet with the pleasant taste

Rexall

CORNER DRUG STORE

of March, 1916.
W. BOYCE,
 Substitute Trustee.

TRUSTEE'S NOTICE OF SALE.
 Notice is hereby given that on the 2nd day of May, 1916, between the hours of ten o'clock a. m., and four o'clock p. m., I, W. Boyce, Substitute Trustee, shall proceed to sell at public outcry in front of the court house door of Deaf Smith County, in Hereford, Texas, to the highest bidder for cash, the following described property situated in Deaf Smith County, Texas, to-wit:
 The southeast one-quarter (S. E. 1-4) of Section No. 36, Township 4 North, Range No. 1, east of a Capitol Syndicate Subdivision, being One Hundred and Sixty (160) acres of land out of Capitol Leagues Nos. 401 and 402, originally patented to Abner Taylor, located in the west side of Deaf Smith County about twenty-seven (27) miles in a northwesterly direction from Hereford.
 Said sale is to be made by me, as Substitute Trustee, the Trustee and Alternate named in the Deed of Trust, hereinafter described, having refused to act, and the holders of said notes having appointed me as Substitute, and at the request of Albert Howison and Robert W. Howison, the present holders of the notes hereinafter mentioned, and by virtue of the authority conferred by the terms of a Deed of Trust executed by L. W. McLennon, dated November 20, 1906, recorded in Volume 4, page 573 of the Deed of Trust Records of Deaf Smith County, Texas, whereby the said L. W. McLennon conveyed to George Findlay, Trustee, the above described property, for the purpose of securing the payment of nine (9) certain notes executed by the said L. W. McLennon and particularly described in said Deed of Trust, and the proceeds of said sale will be applied to the payment of the balance due upon said notes, the taxes on said land for the years 1913, 1914, and 1915, as paid by the owners of said notes, together with interest thereon, and the expense of making said sale, and the remainder, if any, will be paid to the persons entitled to the same under the terms of said Deed of Trust.
 Witness my hand, this 27th day of March, 1916.
 W. BOYCE,
 Substitute Trustee.

TRUSTEE'S NOTICE OF SALE.
 Notice is hereby given that on the 2nd day of May, 1916, between the

CITATION BY PUBLICATION IN DELINQUENT TAX SUITS, STATE OF TEXAS.

And County of Deaf Smith. To Chas. H. Morse and L. A. Hough and all persons owning or having or claiming any interest in the land or lots hereinafter described, the same being delinquent to the State of Texas and County of Deaf Smith for taxes, and the same lying and being situated in the County of Deaf Smith, and State of Texas, to-wit: Lot No. 8 in block No. 10 of the Evans Addition to the town of Hereford, which said property is delinquent to the State of Texas and County of Deaf Smith for taxes for the year 1914, aggregating the sum of \$9.75, including interest, penalties and costs, said taxes having been legally levied, assessed and rendered against said land and lots, and the same being a lawful charge and constituting a prior lien against the same in favor of the State of Texas and County of Deaf Smith to secure the payment thereof.

AND YOU ARE HEREBY COMMANDED to be and appear before the Honorable District Court of Deaf Smith County, Texas, at the next regular term thereof, to be held at the Courthouse of said County, in the city of Hereford, on the first Monday in May A. D. 1916, then and there to show cause why judgment should not be rendered against you and the said land and lots sold under foreclosure of said lien to satisfy said taxes, interest, penalties and costs, and all court costs; all of which, together with other and further relief, general and special, being fully set out and prayed for in the plaintiff's original petition filed in said court on the 10th day of March, 1916, and appearing on the docket thereof as suit No. 1000, wherein the State of Texas is plaintiff, and Chas. H. Morse and L. A. Hough and all persons owning or having or claiming any interest in said land or lots, defendants.

Given under my hand and seal of said Court, at office in the City of Hereford, in the County of Deaf Smith, this 31st day of March, A. D. 1916.

A. O. THOMPSON,
Clerk, District Court,
Deaf Smith County, Texas.

By J. S. JONES,
(SEAL) Deputy.

ular term thereof, to be held at the Courthouse of said County, in the city of Hereford on the first Monday in May A. D. 1916, then and there to show cause why judgment should not be rendered against you and the said land and lots sold under foreclosure of said lien to satisfy said taxes, interest, penalties and costs, and all court costs; all of which, together with other and further relief, general and special, being fully set out and prayed for in the plaintiff's original petition filed in said court on the 10th day of March, 1916, and appearing on the docket thereof as suit No. 1000, wherein the State of Texas is plaintiff, and Chas. H. Morse and L. A. Hough and all persons owning or having or claiming any interest in said land or lots, defendants.

Given under my hand and seal of said Court, at office in the City of Hereford, in the County of Deaf Smith, this 31st day of March, A. D. 1916.

A. O. THOMPSON,
Clerk, District Court,
Deaf Smith County, Texas.

By J. S. JONES,
(SEAL) Deputy.

CITATION BY PUBLICATION IN DELINQUENT TAX SUITS, STATE OF TEXAS.

And County of Deaf Smith. To Austin D. Rogers, Emma Rogers and all persons owning or having or claiming any interest in the land or lots hereinafter described, the same being delinquent to the State of Texas and County of Deaf Smith for taxes, and the same lying and being situated in the County of Deaf Smith, the State of Texas, to-wit: Lot No. 20 in block No. 35, Evans Addition to the town of Hereford, which said property is delinquent to the State of Texas and County of Deaf Smith for taxes for the years 1912, 1913 and 1914, aggregating the sum of \$16.78, including interest, penalties and costs, said taxes having been legally levied, assessed and rendered against said land and lots, and the same being a lawful charge and constituting a prior lien against the same in favor of the State of Texas and County of Deaf Smith to secure the payment thereof.

AND YOU ARE HEREBY COMMANDED to be and appear before the Honorable District Court of Deaf Smith County, Texas, at the next regular term thereof, to be held at the Courthouse of said County, in the city of Hereford, on the first Monday in May A. D. 1916, then and there to show cause why judgment should not be rendered against you and the said land and lots sold under foreclosure of said lien to satisfy said taxes, interest, penalties and costs, and all court costs; all of which, together with other and further relief, general and special, being fully set out and prayed for in the plaintiff's original petition filed in said court on the 10th day of March, 1916, and appearing on the docket thereof as suit No. 972, wherein the State of Texas is plaintiff, and Austin D. Rogers, Emma Rogers and all persons owning or having or claiming any interest in said land or lots, defendants.

Given under my hand and seal of said Court, at office in the City of Hereford, in the County of Deaf Smith, this 31st day of March, A. D. 1916.

A. O. THOMPSON,
Clerk, District Court,
Deaf Smith County, Texas.

By J. S. JONES,
(SEAL) Deputy.

and the said land and lots sold under foreclosure of said lien to satisfy said taxes, interest, penalties and costs, and all court costs; all of which, together with other and further relief, general and special, being fully set out and prayed for in the plaintiff's original petition filed in said court on the 10th day of March, 1916, and appearing on the docket thereof as suit No. 929, wherein the State of Texas is plaintiff, and C. C. Huffhines, J. M. Loggins, Trustees, and C. H. Slaughter, D. O. Murphy, C. C. Huffhines, J. S. Willson, J. M. Loggins and C. D. Donoho and all persons owning or having or claiming any interest in said land or lots, defendants.

Given under my hand and seal of said Court, at office in the City of Hereford, in the County of Deaf Smith, this 31st day of March, A. D. 1916.

A. O. THOMPSON,
Clerk, District Court,
Deaf Smith County, Texas.

By J. S. JONES,
(SEAL) Deputy.

CITATION BY PUBLICATION IN DELINQUENT TAX SUITS, STATE OF TEXAS.

And County of Deaf Smith. To L. N. Hancock and all persons owning or having or claiming any interest in the land or lots hereinafter described, the same being delinquent to the State of Texas and County of Deaf Smith for taxes, and the same lying and being situated in the County of Deaf Smith, and State of Texas, to-wit: Being 244.4 by 173.2 feet out of the east side of block No. 21 of the Evans Addition to the town of Hereford, which said property is delinquent to the State of Texas and County of Deaf Smith for taxes for the years 1908, 1909, 1910, 1911, 1912, 1913 and 1914, aggregating the sum of \$53.50, including interest, penalties and costs, said taxes having been legally levied, assessed and rendered against said land and lots, and the same being a lawful charge and constituting a prior lien against the same in favor of the State of Texas and County of Deaf Smith to secure the payment thereof.

AND YOU ARE HEREBY COMMANDED to be and appear before the Honorable District Court of Deaf Smith County, Texas, at the next regular term thereof, to be held at the Courthouse of said County, in the city of Hereford on the first Monday in May A. D. 1916, then and there to show cause why judgment should not be rendered against you and the said land and lots sold under foreclosure of said lien to satisfy said taxes, interest, penalties and costs, and all court costs; all of which, together with other and further relief, general and special being fully set out and prayed for in the plaintiff's original petition filed in said court on the 25th day of March, 1916, and appearing on the docket thereof as suit No. 1039 wherein the State of Texas is plaintiff, and L. N. Hancock, and all persons owning or having or claiming any interest in said land or lots, defendants.

Given under my hand and seal of said Court, at office in the City of Hereford, in the County of Deaf Smith, this 31st day of March, A. D. 1916.

A. O. THOMPSON,
Clerk, District Court,
Deaf Smith County, Texas.

By J. S. JONES,
(SEAL) Deputy.

Want Ads

FOR SIDEWLAKS or concrete work of any kind see O. B. McCurdy, Carl House. 84p

FOR SALE—Registered Hereford Bulls, priced reasonable. Call or phone 3 miles south of Wildorado. I. A. Alireed, Wildorado, Texas. 84p

FOR SALE—One span good brood and work mares; one span 3-year old mules, broke to work; one large work horse; one fine black Jack, will sell or trade Jack for other stock; colts to show; one registered Hereford bull; one high grade Hereford bull; 23 high grade yearling steers. Farm one mile north of Hereford. R. J. Kibbe. 8tf

LOST—A bay colt, white star in forehead, one year old. Finder notify J. S. Jones at courthouse. 1

THREE Mammoth Jacks must be sold in the next few weeks. First come will get a bargain. Will sell one or all. Green Valley Ranch, Dawn, Texas. 103

FOR SALE—A Duroc Jersey male hog eight months old. Douglas Connell. 1

LOST—Pair of eye-glasses last Thursday. Finder please return to Brand office. 102p

FOR SALE—120 head of mares and colts of all ages; mares bred to Jack. This stock will be sold. Green Valley Ranch, Dawn, Texas. 102

FOR SALE OR TRADE—One new No. 5 Underwood typewriter; one Hudson automobile to trade for stock. A. O. Thompson. 10f


SUDAN Grass seed for sale at my farm 1 1/2 miles east of town, 10 cents per pound. Leave orders at Burns' drug store. E. T. Gallagher. 103p

JACK—Good Maltese and Mammoth Jack for sale or trade. Vern Witherspoon. 5tf

FOR SALE—One fine span large mules; also, two 2-year-old high grade Hereford bulls. Rucker Ranch, 12 miles N. W. 7tf

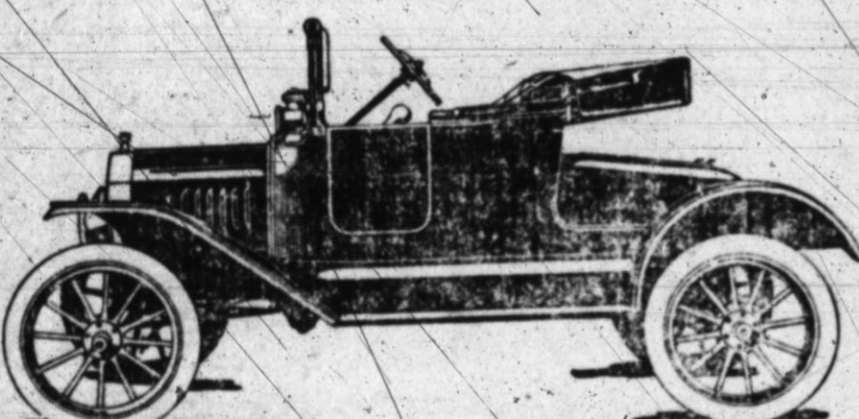
JACK—Good registered black Jack, three years old for sale or trade for cattle or work teams. Well trained and good condition. C. J. Mapes, Dimmitt, Texas. 7-4tp.

COWS—Ten good young Jersey cows, half fresh, rest will be soon. Also some extra fine Jacks, different ages, all at reasonable prices, and terms if necessary. S. J. Sanders. 94



Let the other fellow experiment. You want to know what your prospective car will do. The record of Ford cars in the service of more than a million owners is the best evidence of Ford reliability, economy in operation and simplicity in handling. Average 2c per mile for operation and maintenance.

Touring Car \$440; The Runabout is \$390; Coupelet \$590; Town Car \$640; Sedan \$740, f. o. b. Detroit. On sale at E. H. Brandt's.



One Out of Every Five Cars an Overland

There are 448 recognized automobile builders in the United States. According to estimate, they will produce upwards of one million cars during 1916. The Willys-Overland Company will build approximately 20 per cent of this volume, to the value of considerably more than a hundred million dollars.

"There's a Reason"

Barnhart & Rice

Directory

Lump Coal	Maize
Nut Coal	Kaffir
Steam Coal	Maize Chop
Slack Coal	Kaffir Chop
Rock Salt	Oats
Sack Salt	Bran
Black Salt	Cotton Seed Meal
Medicated Salt	Cotton Seed Cake
Oyster Shells	Cold Pressed Cake
Blood Meal	Alfalfa Hay

Baled Oats

All to be had by Phoning

76

E. W. HARRISON

CITATION BY PUBLICATION IN DELINQUENT TAX SUITS, STATE OF TEXAS.

And County of Deaf Smith. To J. W. Wooten and all persons owning or having or claiming any interest in the land or lots hereinafter described, the same being delinquent to the State of Texas and County of Deaf Smith for taxes, and the same lying and being situated in the County of Deaf Smith, and State of Texas, to-wit: Lots Nos. 1 and 2 in block No. 1 of Meacham's Addition to Hereford, which said property is delinquent to the State of Texas and County of Deaf Smith for taxes for the years 1908, 1909, 1910 and 1912, aggregating the sum of \$21.30, including interest, penalties and costs, said taxes having been legally levied, assessed and rendered against said land and lots, and the same being a lawful charge and constituting a prior lien against the same in favor of the State of Texas and County of Deaf Smith to secure the payment thereof.

AND YOU ARE HEREBY COMMANDED to be and appear before the Honorable District Court of Deaf Smith County, Texas, at the next regular term thereof, to be held at the Courthouse of said County, in the city of Hereford on the first Monday in May A. D. 1916, then and there to show cause why judgment should not be rendered against you and the said land and lots sold under foreclosure of said lien to satisfy said taxes, interest, penalties and costs, and all court costs; all of which, together with other and further relief, general and special, being fully set out and prayed for in the plaintiff's original petition filed in said court on the 10th day of March, 1916, and appearing on the docket thereof as suit No. 936, wherein the State of Texas is plaintiff, and J. W. Wooten and all persons owning or having or claiming any interest in said land or lots, defendants.

Given under my hand and seal of said Court, at office in the City of Hereford, in the County of Deaf Smith, this 31st day of March, A. D. 1916.

A. O. THOMPSON,
Clerk, District Court,
Deaf Smith County, Texas.

By J. S. JONES,
(SEAL) Deputy.

CITATION BY PUBLICATION IN DELINQUENT TAX SUITS, STATE OF TEXAS.

And County of Deaf Smith. To L. A. Hough and all persons owning or having or claiming any interest in the land or lots hereinafter described, the same being delinquent to the State of Texas and County of Deaf Smith for taxes, and the same lying and being situated in the County of Deaf Smith, and State of Texas, to-wit: Lot 18 in block No. 17 and lots 21 and East one-half of 20 in block 18 all in Evans Addition to the town of Hereford, which said property is delinquent to the State of Texas and County of Deaf Smith for taxes for the years 1913 and 1914, aggregating the sum of \$18.90 including interest, penalties and costs, said taxes having been legally levied, assessed and rendered against said land and lots, and the same being a lawful charge and constituting a prior lien against the same in favor of the State of Texas and County of Deaf Smith to secure the payment thereof.

AND YOU ARE HEREBY COMMANDED to be and appear before the Honorable District Court of Deaf Smith County, Texas, at the next regular term thereof, to be held at the Courthouse of said County, in the city of Hereford on the first Monday in May A. D. 1916, then and there to show cause why judgment should not be rendered against you and the said land and lots sold under foreclosure of said lien to satisfy said taxes, interest, penalties and costs, and all court costs; all of which, together with other and further relief, general and special, being fully set out and prayed for in the plaintiff's original petition filed in said court on the 10th day of March, 1916, and appearing on the docket thereof as suit No. 1011, wherein the State of Texas is plaintiff, and L. A. Hough and all persons owning or having or claiming any interest in said land or lots, defendants.

Given under my hand and seal of said Court, at office in the City of Hereford, in the County of Deaf Smith, this 31st day of March, A. D. 1916.

A. O. THOMPSON,
Clerk, District Court,
Deaf Smith County, Texas.

By J. S. JONES,
(SEAL) Deputy.

CITATION BY PUBLICATION IN DELINQUENT TAX SUITS, STATE OF TEXAS.

And County of Deaf Smith. To C. C. Huffhines, J. M. Loggins, Trustees and S. H. Slaughter, D. O. Murphy, C. C. Huffhines, J. S. Willson, J. M. Loggins and C. D. Donoho, and all persons owning or having or claiming any interest in the land or lots hereinafter described, the same being delinquent to the State of Texas and County of Deaf Smith for taxes, and the same lying and being situated in the County of Deaf Smith, and State of Texas, to-wit: The north one-half of the west Tom Fox abstract 503, certificate 30, Survey No. 425, containing 148 acres and the north one-half of the west Tom Fox abstract No. 504, certificate 30, Survey No. 426, containing 119 acres, which said property is delinquent to the State of Texas and County of Deaf Smith for taxes for the year 1914, aggregating the sum of \$22.61, including interest, penalties and costs, said taxes having been legally levied, assessed and rendered against said land and lots, and the same being a lawful charge and constituting a prior lien against the same in favor of the State of Texas and County of Deaf Smith to secure the payment thereof.

AND YOU ARE HEREBY COMMANDED to be and appear before the Honorable District Court of Deaf Smith County, Texas, at the next regular term thereof, to be held at the Courthouse of said County, in the city of Hereford on the first Monday in May A. D. 1916, then and there to show cause why judgment should not be rendered against you

We can't mention everything we sell at the Fair, call and see. 93

Invigorating to the Pale and Sickly

The Old Standard general strengthening tonic, GROVE'S TASTELESS CHILL TONIC, drives out Malaria, enriches the blood, and builds up the system. A true tonic. For adults and children. 50c



WILSON'S RANCH BRAND

Ranch at Arney, Castro County. Anyone finding stock strayed from this ranch please notify owners Jno. L. Wilson & Son Hereford, Texas

HEREFORD THOR-O-BRED TREES AND PLANTS

Have created a demand that is surprising even to ourselves. This years sales will show an increase of 300 per cent over last year.

The fact that we will sell more trees this season than all other nurseries ceeling on the plains is significant.

For Twenty-five Years we've been on the alert—striving to give better results—Spending \$1600 per year in tests.

Is it not, therefore, worth your while to investigate our products?

"QUALITY FIRST"

HEREFORD NURSERY CO.

HEREFORD

HUSBAND RESCUED DESPAIRING WIFE

After Four Years of Discouraging Conditions, Mrs. Bullock Came Up in Despair. Husband Came to Rescue.

Patron, Ky.—In an interesting letter from this place, Mrs. Bettie Bullock writes as follows: "I suffered for four years, with womanly troubles, and during this time, I could only sit up for a little while, and could not walk anywhere at all. At times, I would have severe pains in my left side. The doctor was called in, and his treatment relieved me for a while, but I was soon confined to my bed again. After that, nothing seemed to do me any good. I had gotten so weak I could not stand, and I gave up in despair. At last, my husband got me a bottle of Cardui, the woman's tonic, and I commenced taking it. From the very first dose, I could tell it was helping me. I can now walk two miles without tiring me, and am doing all my work." If you are all run down from womanly troubles, don't give up in despair. Try Cardui, the woman's tonic. It has helped more than a million women, in its 50 years of continuous success, and should surely help you, too. Your druggist has sold Cardui for years. He knows what it will do. Ask him. He will recommend it. Begin taking Cardui today.

Chattanooga Medicine Co., Lister's Building, Chattanooga, Tenn., for Special Mail Order on your case and for your book, "Woman's Friend." Write for it to-day.

CITATION BY PUBLICATION IN DELINQUENT TAX SUITS. THE STATE OF TEXAS.

And County of Deaf Smith. To W. G. Roberts and all persons owning or having or claiming any interest in the land or lots hereinafter described, the same being delinquent to the State of Texas and County of Deaf Smith for taxes, and the same lying and being situated in the County of Deaf Smith, and State of Texas, to-wit: One and one-half acres out of the N. E. corner of block No. 6, of the Evants Addition to the town of Hereford, the same being lot No. 1, block No. 6, of the Evants Addition to Hereford as shown by the assessor's plat of said block, which said property is delinquent to the State of Texas and County of Deaf Smith for taxes for the years 1910, 1911, 1912, 1913 and 1914, aggregating the sum of \$106.15, including interest, penalties and costs, said taxes having been legally levied, assessed and rendered against said land and lots, and the same being a lawful charge and constituting a prior lien against the same in favor of the State of Texas and County of Deaf Smith to secure the payment thereof.

AND YOU ARE HEREBY COMMANDED to be and appear before the Honorable District Court of Deaf Smith County, Texas, at the next regular term thereof, to be held at the Courthouse of said County, in the city of Hereford, on the first Monday in May A. D. 1916, the same being the first day of May A. D. 1916, then and there to show cause why judgment should not be rendered against you and the said land and lots sold under foreclosure of said lien to satisfy said taxes, interest, penalties and costs, and all court costs; all of which, together with other and further relief, general and special, being fully set out and prayed for in the plaintiff's original petition filed in said court on the 25th day of March, 1916, and appearing on the docket thereof as suit No. 1024, wherein the State of Texas is plaintiff, and W. G. Roberts, R. L. Clark and J. W. Sybert and all persons owning or having or claiming any interest in said land or lots, defendants.

Given under my hand and seal of said Court, at office in the City of Hereford, in the County of Deaf Smith, this 3rd day of April A. D. 1916.

A. O. THOMPSON,
Clerk, District Court,
Deaf Smith County, Texas.
By J. S. JONES,
(SEAL) Deputy.

CITATION BY PUBLICATION IN DELINQUENT TAX SUITS. THE STATE OF TEXAS.

And County of Deaf Smith. To C. A. Brown and all persons owning or having or claiming any interest in the land or lots hereinafter described, the same being delinquent to the State of Texas and County of Deaf Smith for taxes and the same lying and being situated in the County of Deaf Smith, and State of Texas, to-wit: Being one acre in the S. E. corner of block 40 of the Evants Addition to the town of Hereford, which said property is delinquent to the State of Texas and County of Deaf Smith for taxes for the years 1911, 1912, 1913, and 1914, aggregating the sum of \$23.61, including interest, penalties and costs, said taxes having been legally levied, assessed and rendered against said land and lots, and the same being a lawful charge and constituting a prior lien against the same in favor of the State of Texas and County of Deaf Smith to secure the payment thereof.

AND YOU ARE HEREBY COMMANDED to be and appear before the Honorable District Court of Deaf Smith County, Texas, at the next regular term thereof, to be held at the Courthouse of said County, in the city of Hereford on the first Monday in May A. D. 1916, the same being the first day of May A. D. 1916, then and there to show cause why judgment should not be rendered against you and the said land and lot sold under foreclosure of said lien to satisfy said taxes, interest, penalties and costs, and all court costs; all of which, together with other and further relief, general and special, being fully set out and prayed for in the plaintiff's original petition filed in said court on the 10th day of March, 1916, and appearing on the docket thereof as suit No. 966, wherein the State of Texas is plaintiff, and C. A. Brown and all persons owning or having or claiming any interest in said land or lots, defendants.

Given under my hand and seal of said Court, at office in the City of Hereford, in the County of Deaf Smith, this 3rd day of April A. D. 1916.

A. O. THOMPSON,
Clerk, District Court,
Deaf Smith County, Texas.
By J. S. JONES,
(SEAL) Deputy.

CITATION BY PUBLICATION IN DELINQUENT TAX SUITS. THE STATE OF TEXAS.

And County of Deaf Smith. To L. M. Carnes, Frank Dunnaway and Effie Tate and all persons owning or having or claiming any interest in the land or lots hereinafter described, the same being delinquent to the State of Texas and County of Deaf Smith for taxes, and the same lying and being situated in the County of Deaf Smith, and State of Texas, to-wit: Lots 13 to 17 and 21 to 25 in block No. 1, Brank Subdivision of Block No. 17 of the Mabry Addition to the town of Hereford, which said property is delinquent to the State of Texas and County of Deaf Smith for taxes for the year 1914, aggregating the sum of \$18.99, including interest, penalties and costs, said taxes having been legally levied, assessed and rendered against said land and lots, and the same being a lawful charge and constituting a prior lien against the same in favor of the State of Texas and County of Deaf Smith to secure the payment thereof.

AND YOU ARE HEREBY COMMANDED to be and appear before the Honorable District Court of Deaf Smith County, Texas, at the next regular term thereof, to be held at the Courthouse of said County, in the city of Hereford on the first Monday in May A. D. 1916, the same being the first day of May A. D. 1916, then and there to show cause why judgment should not be rendered against you and the said land and lots sold under foreclosure of said lien to satisfy said taxes, interest, penalties and costs, and all court costs; all of which, together with other and further relief, general and special, being fully set out and prayed for in the plaintiff's original petition filed in said court on the 10th day of March, 1916, and appearing on the docket thereof as suit No. 1013, wherein the State of Texas is plaintiff, and E. H. Fretz and the First National Bank of Hereford and all persons owning or having or claiming any interest in said land or lots, defendants.

Given under my hand and seal of said Court, at office in the City of Hereford, in the County of Deaf Smith, this 3rd day of April A. D. 1916.

A. O. THOMPSON,
Clerk, District Court,
Deaf Smith County, Texas.
By J. S. JONES,
(SEAL) Deputy.

there to show cause why judgment should not be rendered against you and the said land and lots sold under foreclosure of said lien to satisfy said taxes, interest, penalties and costs, and all court costs; all of which, together with other and further relief, general and special, being fully set out and prayed for in the plaintiff's original petition filed in said court on the 10th day of March, 1916, and appearing on the docket of said court as suit No. 982, wherein the State of Texas is plaintiff, and L. M. Carnes, Frank Dunnaway and Effie Tate and all persons owning or having or claiming any interest in said land or lots, defendants.

Given under my hand and seal of said Court, at office in the City of Hereford, in the County of Deaf Smith, this 3rd day of April A. D. 1916.

A. O. THOMPSON,
Clerk, District Court,
Deaf Smith County, Texas.
By J. S. JONES,
(SEAL) Deputy.

CITATION BY PUBLICATION IN DELINQUENT TAX SUITS. THE STATE OF TEXAS.

And County of Deaf Smith. To Mrs. Martha Hancock and all persons owning or having or claiming any interest in the land or lots hereinafter described, the same being delinquent to the State of Texas and County of Deaf Smith for taxes, and the same lying and being situated in the County of Deaf Smith, and State of Texas, to-wit: One acre in the southwest corner of block No. 21 of Evants Addition to the town of Hereford, which said property is delinquent to the State of Texas and County of Deaf Smith for taxes for the years 1906, 1908, 1909, 1911, 1912, 1913 and 1914, aggregating the sum of \$37.91, including interest, penalties and costs, said taxes having been legally levied, assessed and rendered against said land and lots, and the same being a lawful charge and constituting a prior lien against the same in favor of the State of Texas and County of Deaf Smith to secure the payment thereof.

AND YOU ARE HEREBY COMMANDED to be and appear before the Honorable District Court of Deaf Smith County, Texas, at the next regular term thereof, to be held at the Courthouse of said County, in the city of Hereford on the first Monday in May A. D. 1916, the same being the first day of May A. D. 1916, then and there to show cause why judgment should not be rendered against you and the said land and lots sold under foreclosure of said lien to satisfy said taxes, interest, penalties and costs, and all court costs; all of which, together with other and further relief, general and special, being fully set out and prayed for in the plaintiff's original petition filed in said court on the 10th day of March, 1916, and appearing on the docket thereof as suit No. 997, wherein the State of Texas is plaintiff, and Mrs. Martha Hancock and all persons owning or having or claiming any interest in said land or lots, defendants.

Given under my hand and seal of said Court, at office in the City of Hereford, in the County of Deaf Smith, this 31st day of March, A. D. 1916.

A. O. THOMPSON,
Clerk, District Court,
Deaf Smith County, Texas.
By J. S. JONES,
(SEAL) Deputy.

CITATION BY PUBLICATION IN DELINQUENT TAX SUITS. THE STATE OF TEXAS.

And County of Deaf Smith. To E. H. Fretz and all persons owning or having or claiming any interest in the land or lots hereinafter described, the same being delinquent to the State of Texas and County of Deaf Smith for taxes, and the same lying and being situated in the County of Deaf Smith, and State of Texas, to-wit: The west 1-2 of lot No. 4, Block No. 7, of Womble Addition to the town of Hereford and 150 by 145 feet on north end of block 37, Evants Addition to the town of Hereford, which said property is delinquent to the State of Texas and County of Deaf Smith for taxes for the years 1911, 1912, 1913 and 1914, aggregating the sum of \$55.12, including interest, penalties and costs, said taxes having been legally levied, assessed and rendered against said land and lots, and the same being a lawful charge and constituting a prior lien against the same in favor of the State of Texas and County of Deaf Smith to secure the payment thereof.

AND YOU ARE HEREBY COMMANDED to be and appear before the Honorable District Court of Deaf Smith County, Texas, at the next regular term thereof, to be held at the Courthouse of said County, in the city of Hereford on the first Monday in May A. D. 1916, the same being the first day of May A. D. 1916, then and there to show cause why judgment should not be rendered against you and the said land and lots sold under foreclosure of said lien to satisfy said taxes, interest, penalties and costs, and all court costs; all of which, together with other and further relief, general and special, being fully set out and prayed for in the plaintiff's original petition filed in said court on the 10th day of March, 1916, and appearing on the docket thereof as suit No. 1013, wherein the State of Texas is plaintiff, and E. H. Fretz and the First National Bank of Hereford and all persons owning or having or claiming any interest in said land or lots, defendants.

Given under my hand and seal of said Court, at office in the City of Hereford, in the County of Deaf Smith, this 3rd day of April A. D. 1916.

A. O. THOMPSON,
Clerk, District Court,
Deaf Smith County, Texas.
By J. S. JONES,
(SEAL) Deputy.

CITATION BY PUBLICATION IN DELINQUENT TAX SUITS. THE STATE OF TEXAS.

And County of Deaf Smith. To John Kessell and all persons owning or having or claiming any interest in the land or lots hereinafter described, the same being delinquent to the State of Texas and County of

Deaf Smith for taxes, and the same lying and being situated in the County of Deaf Smith, and State of Texas, to-wit: Southwest 1-4 of Survey No. 46, Abstract 1320, Certificate 1-422, containing 152 acres, which said property is delinquent to the State of Texas and County of Deaf Smith for taxes for the year 1914, aggregating the sum of \$17.13, including interest, penalties and costs, said taxes having been legally levied, assessed and rendered against said land and lots, and the same being a lawful charge and constituting a prior lien against the same in favor of the State of Texas and County of Deaf Smith to secure the payment thereof.

AND YOU ARE HEREBY COMMANDED to be and appear before the Honorable District Court of Deaf Smith County, Texas, at the next regular term thereof, to be held at the Courthouse of said County, in the city of Hereford, on the first Monday in May A. D. 1916, the same being the first day of May A. D. 1916, then and there to show cause why judgment should not be rendered against you and the said land and lots sold under foreclosure of said lien to satisfy said taxes, interest, penalties and costs, and all court costs; all of which, together with other and further relief, general and special, being fully set out and prayed for in the plaintiff's original petition filed in said court on the 10th day of March, 1916, and appearing on the docket thereof as suit No. 930, wherein the State of Texas is plaintiff, and John Kessell and all persons owning or having or claiming any interest in said land or lots, defendants.

Given under my hand and seal of said Court, at office in the City of Hereford, in the County of Deaf Smith, this 3rd day of April A. D. 1916.

A. O. THOMPSON,
Clerk, District Court,
Deaf Smith County, Texas.
By J. S. JONES,
(SEAL) Deputy.

CITATION BY PUBLICATION IN DELINQUENT TAX SUITS. THE STATE OF TEXAS.

And County of Deaf Smith. To L. A. Hough, J. W. Sellars and all persons owning or having or claiming any interest in the land or lots hereinafter described, the same being delinquent to the State of Texas and County of Deaf Smith for taxes, and the same lying and being situated in the County of Deaf Smith, and State of Texas, to-wit: Lot No. 2 in block No. 11, Evants Addition to the town of Hereford which said property is delinquent to the State of Texas and County of Deaf Smith for taxes for the years 1911, 1913 and 1914, aggregating the sum of \$21.04, including interest, penalties and costs, said taxes having been legally levied, assessed and rendered against said land and lots and the same being a lawful charge and constituting a prior lien against the same in favor of the State of Texas and County of Deaf Smith to secure the payment thereof.

AND YOU ARE HEREBY COMMANDED to be and appear before the Honorable District Court of Deaf Smith County, Texas, at the next regular term thereof, to be held at the Courthouse of said County, in the city of Hereford on the first Monday in May A. D. 1916, the same being the first day of May A. D. 1916, then and there to show cause why judgment should not be rendered against you and the said land and lots sold under foreclosure of said lien to satisfy said taxes, interest, penalties and costs, and all court costs; all of which, together with other and further relief, general and special, being fully set out and prayed for in the plaintiff's original petition filed in said court on the 10th day of March, 1916, and appearing on the docket thereof as suit No. 999, wherein the State of Texas is plaintiff, and L. A. Hough, J. W. Sellars and all persons owning or having or claiming any interest in said land or lots, defendants.

Given under my hand and seal of said Court, at office in the City of Hereford, in the County of Deaf Smith, this 31st day of March, A. D. 1916.

A. O. THOMPSON,
Clerk, District Court,
Deaf Smith County, Texas.
By J. S. JONES,
(SEAL) Deputy.

TO PROTECT PRESIDENTS' LIVES SENATOR CULBERSON PRESENTS BILL TO THAT END.

In the senate on Saturday Senator Charles A. Culbertson introduced a bill recommended by the attorney general providing a fine of \$1,000 or five years' imprisonment, or both, for conviction for mailing a threat to harm or kill the president of the United States or anyone who by law might become president. At present there is no such federal law.

Bad Place for Dynamite.

Bert Wilburton, thirty-two years of age, of near Hartford, Ark., wanted to put some dynamite caps in a safe place and chose the hip pockets of his trousers. Then he went out to spade the garden. An explosion which shattered Wilburton's legs took place. His death resulted.

Ten Perish in Flames.

Four children of Paul Schmidt and wife, the youngest eighteen months of age, were burned to death at Saginaw, Mich., during the absence of their parents. E. E. Post, a farmer of Clayville, W. Va., and his five children were burned to death when their home was destroyed by fire.

Women's Clubs to Participate.

Virtually all the club women in Galveston will take part in the civic pageant to be held during the Cotton Carnival, July 4-16. Six prizes are to be awarded and each organization allowed one float or automobile.

AFTER FOUR YEARS

Hereford Testimony Remains Unshaken

Time is the best test of truth.

Here is a Hereford story that has stood the test of time. It is a story with a point which will come straight home to many of us.

B. W. Miller, Main St., Hereford, says: "I had pain in my back and it hurt me when I stooped or attempted to lift anything. I also had trouble with the kidney secretions. I used Doan's Kidney Pills and since then I have been able to sleep well and am not having that pain in my back." (Statement given January 20, 1911.)

On November 15, 1915, Mr. Miller said: "I have used Doan's Kidney Pills a few times since first endorsing them and have always had good results."

Price 50c, at all dealers. Don't simply ask for a kidney remedy—get Doan's Kidney Pills—the same that Mr. Miller has twice publicly recommended. Foster-Milburn Co., Props., Buffalo, N. Y.

The biggest Variety Store in Texas—The Fair. 10c

YOU'LL LIKE HEREFORD!

Land Loans

Money to loan in amounts of \$1,000 and up at reasonable rates. E. S. Ireland, Dimmitt, Texas. 9c

A good hoe for 25c at the Fair, until they are all gone. 9c

HARD CHRONIC COUGH

Made Well by Delicious Vinol

Crestline, Ohio. "I contracted a hard, chronic cough, and was weak, nervous and run down. I had a small family of three, and it was hard for me to do my work. I took different medicines without benefit. Finally I heard about Vinol, and it has restored me to health and strength, my cough is all gone and I feel fine."—Mrs. H. H. CARLISLE.

We guarantee Vinol, our delicious cod liver and iron tonic without oil, for chronic coughs and colds, and for all weak, nervous, run-down conditions. Corner Drug Store, Stocking & McLean, Props., Hereford

Cream Wanted

I pay cash for cream. You get your money as soon as test is made. I am at the McQueen Grain & Coal Co. I. H. Spratt. 10c

FOR RENT—Warehouse between

E. B. Black Co., and tinshop. Inquire A. P. Murchison. 93p

Cures Old Sores, Ulcers Remains Won't Cure.

The worst cases, no matter of how long standing, are cured by the wonderful, old reliable Dr. Foster's Antiseptic Healing Oil. It relieves Pains and Itches at the same time. 25c, 50c, \$1.00

Seeds The purest, cleanest and best seeds grown at honest prices. Our quality seeds are better seeds and will please you if you want the best seed in Texas. Frost proof Cabbage only 30c-100 prepaid
C. E. White Seed Planview Co. Texas

The Star Theatre

As we failed to receive copy for our next week's program, we are unable to publish what the different reels will be; however, we feel confident of a good, entertaining program.

We are furnishing the same class of plays and features as are being given in the larger cities. All of these plays have passed the National Board of Censorship.

We use every endeavor to furnish a wholesome, clean show. We permit no rowdyism, no disorder in our house; our patrons come from the best people of the community. Any one who attends our show will testify to these statements as true. We invite public investigation and unprejudiced criticism; we want to give the people what they desire, and we await with pleasure when we can offer our patrons the services and conveniences of the new building now in course of erection, being built especially for our show and the pleasure of the Hereford people.

We invite you to visit our Show any night

The Star Theatre

Successful Farming

Depends on intelligent use of the best machinery

Dunlap Hardware Co's. Machinery

Is the labor saving kind with 100 per cent efficiency. The Emerson line of listers and plows are the standard the world over for quality and service.

Emerson Buggies and Weber and Newton Wagons have no superiors in their line.

We carry all kinds of Shelf and Building Hardware, Stoves and Ranges.

Our line of Saddles and Harness is complete and of the best we can buy.

Our business has been increasing with every month since we began business two years ago. This is an indication that our goods and our service are giving satisfaction. If you have not been doing business with us, give us a trial.

Dunlap Hardware Company Incorporated