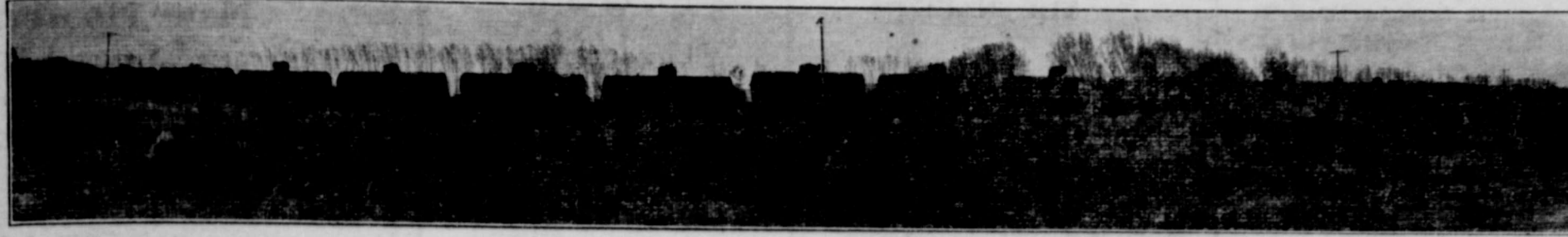


ARTESIA ADVOCATE

ARTESIA, NEW MEXICO, THURSDAY, OCTOBER 15, 1925

The Advocate now goes into practically every state in the Union



Courtesy of The Earth, Topeka, Kan.

THE FIRST SHIPMENT OF OIL FROM ARTESIA, MADE IN MARCH, 1925

M. E. CONFERENCE AT CLOVIS CLOSING SUN. AFTER 4 DAY SESSION

Artesia Minister, Mr. Walker, Goes to Las Vegas as Presiding Elder; Many Changes Are Made at the Conference.

With over 100 pastors and accredited delegates present and many visitors from nearby towns, the annual conference of the Methodist church convened at Clovis Tuesday morning of last week with Bishop James E. Dickey presiding.

The conference was organized with Rev. J. H. Walker of Artesia, secretary; Rev. R. C. Edwards, of Ft. Bayard, assistant secretary; Rev. P. L. Gleason, Las Cruces, statistical secretary; Rev. Fred B. Faust of El Paso, editor and publisher of the minutes.

Voted on Unification.

One of the high spots in conference business was the vote Thursday morning on the proposition of the unification of the Northern and Southern Methodist Church organizations, which will be voted on by all conferences this year. The vote was 42 to 39 in favor of the unification of the two great church organizations.

At the Sunday afternoon session of the New Mexico annual conference, Rev. W. S. Huggett, of El Paso preached a sermon, celebrating his twenty-fifth year as a member of the conference. Mr. Huggett was admitted into the New Mexico conference in 1900 at White Oaks, N. M. After briefly reviewing his ministry in New Mexico, Mr. Huggett (Continued on page four, column 2)

MOTHER WALKS FOUR MILES FOR CAR TO GO AFTER DR. FOR BABY

Fate has dealt unkindly with the Frank Lattion family, who live on the Cap Rock, fifty-five miles east of Artesia. Several months ago the father, Frank Lattion fell from a windmill, breaking both arms. Alone at the time of the accident he lived for five days unaided and the fortitude displayed by Mr. Lattion has not been paralleled in the pioneer days.

Last week another accident befell the four year old Lattion daughter, who happened to the misfortune of a rattle snake bite. Mrs. Lattion was alone with the children at the time of the accident and could not send for aid. After slitting the snake wound with a razor and binding the limb above the wound to prevent the circulation of the poison, she gave her little one the best first aid possible, although Artesia was the nearest point a physician could be secured. After treating the wound Mrs. Lattion walked four miles to secure a car and brought her child to Artesia where she received medical attention from Dr. Straub.

The little one is reported to be doing nicely and is expected to make a rapid recovery.

DR. PUCKETT LOCATES HERE

Dr. O. E. Puckett, formerly of Hope has located in Artesia and has established an office in the Gilbert-Collins building, west of the First National bank. Dr. Puckett, who has lived in this section for the past ten years, enjoys a wide acquaintance. He will engage in the general practice of medicine.

The best wishes of a number of friends are extended to the Doctor in his new location.

PUBLIC UTILITIES ENGINEERING CO. OFFICIALS HERE

T. O. Steffins, of Dallas, C. O. Greene, of Amarillo, Art Miller, Frank Shram and Henry Sellick, of Roswell were in Artesia Tuesday in the interest of the Public Utilities Engineering Co. The matter of a White Way, a new street lighting system, was discussed with the city dads during the visit of the Utility representatives here.

Woodstock typewriters for sale—Advocate Office.

ARTESIA HIGH SCHOOL STUDENTS PUBLISH FIRST ISSUE OF GUSHER

The first issue of the Artesia Gusher, a student publication, appeared Wednesday of this week and will no doubt create much favorable comment. The Gusher is sponsored by the senior class of the Artesia High School. Miss Elizabeth Adams is the editor and Elaine Peemster, the assistant editor. The business management is in charge of Miss Edna Page.

The publication "The Artesia Gusher" is a four page paper filled with school news and made a very creditable showing for the first issue. Arrangements have been made to issue the Gusher twice per month, which will take place of the annual issued by the senior class of the High School at the end of each school term.

The Gusher was accorded a liberal ad patronage by the merchants of Artesia in the initial issue and will no doubt rank with the best school publications found in the state.

We want you at the Johnson-Woodruff revival, which begins at the Baptist church Sunday, 10-15-16

NEW SUPPLY COMPANY ERECTING BUILDING HERE ON FIRST STREET

A new all steel building is being erected on South First street between the E. B. Bullock feed store and the warehouse of the Joyce Fruit Company, by the Oil Well Supply Company, a new concern recently to enter the oil well supply field here. This company which will handle a general line of supplies for the oil field, including drilling and fishing tools, are well known in the larger fields of Texas. The district office in Fort Worth, Texas serves the fields of Central Texas, Oklahoma and parts of Louisiana. P. E. McCanahan, of Fort Worth has been appointed manager of the company in Artesia and will serve the company in the capacity of a local manager.

Temporary headquarters will be maintained at the Hardwick Hotel, Room No. 14.

The concrete foundation to the building has already been laid. Shipments of steel for the main part of the structure has been delayed, but the first shipment of materials was expected the early part of the week. The size of the building will be 40 by 100 feet.

THE SULLIVAN REFINERY READY FOR OPERATION MAY ENLARGE PLANT

Present Capacity of Plant is 300 Barrels Daily—Company Now Has a Refinery in Operation at Clovis.

The Sullivan Refinery at Dayton now has the first unit of their refinery ready for operation, although operations may be held up for the present awaiting instructions relative to the enlargement of the plant. It is understood plans have been made to enlarge the plant to a capacity of 3000 barrels daily. The plant at present can easily run 300 barrels per day.

The first still has been completed and is connected with separator ready to go. Another still which will add 300 barrels addition to the run of the refinery is on the ground, but has never been erected.

Operation of the plant is very simple. The plant at Dayton is similar to the one now in operation at Clovis. A new device, the separator which has been added to the Dayton plant is a new invention, the patent of two officials of the Sullivan Refinery. This piece of mechanism enables the plant to treat gas by a peculiar process; a product known as sweet gas is the result. Sweet gas, as those who are familiar with it's nature know, is devoid of smell.

The still and main part of the refinery has been built in the open, however, it is learned that plans have been made to erect suitable housing facilities over the refining machinery proper.

(Continued on last page, column 4)

CHAMBER COMMERCE HOLDS FIRST MEETING OF MONTH MON. NIGHT

Publicity Campaign of McGinn Extended for Another Period—Road May Be Opened Through to Lovington.

Monday evening the Chamber of Commerce had their first regular meeting for the month. The crowd present was not as large as it would have been, had the date of the meeting been generally understood.

The first matter taken up was the reading of a letter from the president of the Southern New Mexico Association, requesting each town represented to donate the amount of \$1.50 per year for each member of the local Chamber of Commerce. On motion of W. E. Ragsdale the letter was tabled and no further action was taken on the matter.

A communication was also read from the Lovington Chamber of Commerce requesting the aid of the Artesia organization in securing a road to Lovington by way of the oil field. Practically all of the road has already been designated as we understand it and it only remains to form one or two connecting links.

Secretary J. J. Clarke read a communication from T. B. Gallaher, general freight and passenger agent of the Santa Fe railroad at Amarillo, stating that the advertising campaign of the Pecos Valley, started sometime ago, would be continued by the Santa Fe. It will be remembered that the Santa Fe railroad, in conjunction with the Pecos Valley Chamber of Commerce, staged a valley wide advertising campaign a few months passed. Since receiving Mr. Gallaher's letter, Secretary Clarke stated that forty-five letters of inquiry had been received by the Artesia Chamber of Commerce.

The organization voted to continue the publicity campaign under direction of Wm. McGinn. The present contract with Mr. McGinn will expire the 18th of this month and will represent a campaign of nine months.

On motion of W. R. Hornbaker it was voted to donate \$5.00 per month to the Artesia Municipal band until further notice.

PUBLIC UTILITIES TO INSTALL ONE BLOCK OF LIGHTS FOR ARTESIA

Standard System of Street Lighting to be Used Between 4th Street and Rose Lawn on Main Street—to Be in Soon.

An agreement was made Tuesday between the City Dads and the officials of the Public Utilities Engineering Co., to place the first block of the proposed White Way, a new street lighting system for Artesia, on Main street between Rose Lawn and Fourth street. The street lighting system is to be placed on Main at no cost to the City. Should the City Commission give a favorable decision on the first block installed, it is planned to extend the system along all of the business section on Main, probably terminating at the railroad crossing.

The block of White Way to be installed is what is known as the standard system, one 400 watt light to each pole and four poles on each side of the block, making a total of eight lights to the block.

The new standard is a considerable improvement over the cluster lights seen in many cities. While the block to be put in by the Utilities will be ornamental, it will be simple and give a more effective light than the older fashioned styles.

FIRST MEETING OF PECOS VALLEY C. OF C. IS HELD AT ROSWELL

The first regular meeting of the Pecos Valley Chamber of Commerce was held Monday night at the Chamber of Commerce rooms at Roswell. Visitors from all section of the Valley were present and a most enthusiastic meeting was the result of this first regular session.

Those present from points outside Roswell were: W. H. Miles and Ed Love, of Dexter, who also represented the newly organized Dexter Chamber of Commerce; W. A. Losey, J. T. West and Rev. J. C. Hughes, of Hagerman. Mr. Losey is president of the organization and Rev. J. C. Hughes is secretary. Robert Kellahin, Jr., of the Hagerman Messenger, was also present at the meeting. Frances Tracy and W. H. Mellvain were present from Carlsbad.

The chief subject of discussion was proper action on the proposed blanket increase on freight rates by western roads. The Pecos Valley Chamber of Commerce plans definite action on this matter and the president was empowered to appoint a committee of two to go into the matter and decide upon action.

A dinner at the Chamber of Commerce was enjoyed before the matters of business were taken up.—Roswell Record.

ARRESTED HERE ON LIQUOR CHARGES

Two men from Oklahoma, charged with selling liquor were arrested the first part of the week by local officers. Two other men, members of the same party were also apprehended on a charge of drunkenness. The Ford car in which the men were riding was confiscated by the officers, after the Oklahoma parties had made a trip to the oil field.

CARS COLLIDE

A Mountain States Telephone car and a Ford car belonging to the City Bakery, collided on the corner of Rose Lawn Avenue and Main street Wednesday morning. No serious damage was done to either car.

NEW FORD COUPE

The first of the new Ford Coupes was received by the Artesia Auto Co. Tuesday and went on display the following morning. The appearance of the Coupe has been changed considerably.

DRILLERS INJURED

J. A. Utt, driller on one of the Flynn, Welch & Yates wells, Friday happened to the misfortune of falling from the derrick stool which is situated about eight feet from the derrick platform. In falling he hit the water line and broke several ribs. His injuries received medical attention from Dr. R. K. Hoover. H. M. Kiesow, another driller for the Flynn, Welch & Yates interests had his hand caught in the drilling machine Monday and suffered injuries when his hand was badly lacerated.

OIL RUNS DURING MO. OF SEPT. AMOUNT TO OVER 101,180 BARRELS

According to official figures submitted, the oil runs from the field by both the New Mexico Pipe Line Co. and the Illinois Pipe Line Co., for the month of September amounted to a total of 101,180 barrels. The total for September represents an average daily production of 3,375 barrels. September runs also average approximately 400 barrels more per day than the previous month, August.

These figures do not include about 400 barrels of crude consumed daily as fuel oil by the drilling wells.

Taken as a whole September runs would be the equivalent to 500 tank cars of crude.

The new price of crude sets a low mark for the Artesia field of \$1.35 per barrel. The first cut amounted to 25 cents per barrel.

Woodstock typewriters for sale—Advocate Office.

Campaign for New Hotel to Be Continued Have \$60,000

Chamber of Commerce Committee at Work Raising Necessary Funds—Subscriptions Are Not All In Yet.

To eliminate the expense connected with the financing of the new hotel stock sales campaign as it has been conducted thus far, the committee Monday evening decided to continue the work of securing subscriptions to stock for a building fund, by themselves, with the assistance of all Chamber of Commerce members.

The object of this move, the committee announces, does not mean a letting up in the effort to get a new hotel here, but it does mean that there will be a minimum of expense attached to future work as there will be practically no expense attached to the work since each citizen will be asked to work what time he can in selling stock.

The committee feels that sufficient newspaper advertising and printed matter have appeared to tell the public of the campaign.

To date \$60,000 has been subscribed, or \$10,000 more than was reported last publication. Enough subscriptions are already in sight, say the leaders, to practically assure the total going above the \$75,000 mark.

The committee has until January 15, 1926 to get subscriptions for stock. By that is meant, that subscriptions already secured hold good until that date. As soon as \$75,000 is secured the subscriptions become binding and the hotel building fund (Continued on page four, column 4)

MAINTENANCE CREW ON JOB KEEPING OIL FIELD ROAD IN SHAPE

A maintenance crew for the oil field road arrived the first of the week and are busy making needed repairs on the road. Practically all of the rough spots will soon be repaired and the full time of the crew will be spent on the road.

The equipment consists of a Fordson grader, fresnos and dump wagons.

Woodstock typewriters for sale—Advocate Office.

COTTON IS ON DECLINE ON LOCAL MARKET--THE HAY MARKET IS STEADY

The price of alfalfa hay remains steady. The last cutting of this crop will soon be ready for baling. Choice hay is bringing \$22.00 per ton on the local market. Grade No. 1, \$20.00 per ton, standard \$18.00 per ton, grade No. 2, \$15.00.

Cotton has taken a decline since last week. Sales yesterday were rather brisk with prices ranging from \$23.50 to \$25.00. Middling with staple from 1-8 to 1-16 \$23.50, strict middling 1-8 staple \$24.50. The 3-16 staple was about 3 cents in advance of the above prices.

Advocate want ads get results. Advocate want ads get results.

PROMINENT NEWSPAPER MEN TO VISIT OIL FIELD

Two well known newspaper men are to visit the Artesia territory for the purpose of gaining first hand information, according to Wm. McGinn, publicity director of the Chamber of Commerce. Edwin J. Clapp, financial expert of the Hearst papers who is now engaged in writing a series of special articles on West Texas, has notified Mr. McGinn that he intends to visit this section of Eastern New Mexico before the first of the year. Mr. Paul S. Hedrick, oil editor of the Tulsa Daily World and one of the leading writers on petroleum in the country is expected during the coming week. Mr. Hedrick will be the guest of the local Petroleum Club.

Artesia Advocate

The Pecos Valley News and The Artesia American

Martin and Blocker, Publishers
W. C. Martin, Editor

PUBLISHED EVERY THURSDAY

Entered as second-class matter at the postoffice in Artesia, New Mexico, under the act of Congress of March 3, 1879.

THURSDAY, OCTOBER 15, 1925

SUBSCRIPTION RATES

One Year (In New Mexico).....\$2.00
Six Months (In New Mexico).....\$1.50
Three Months (In New Mexico).....\$1.00
One Year (Out of New Mex.).....\$2.50
Six Months (Out of New Mex.).....\$2.00
Three Months (Out of New Mex.).....\$1.50
NO SUBSCRIPTION TAKEN FOR LESS THAN THREE MONTHS

Advertising Rates on Application.
Resolutions of Respect and Obituaries 5 cents per line.
Cards of Thanks 50 cents.

DISPLAY ADVERTISING COPY MUST BE IN NOT LATER THAN 4.00 P. M. WEDNESDAY TO INSURE PUBLICATION. CHANGE OF COPY FOR DISPLAY MUST BE IN THE OFFICE ON TUESDAY TO INSURE CHANGE.

TELEPHONE NO. 7

WILL TAKE COLLEGE TO FARM

Radio broadcasting by ending the isolation of farm life, will be the greatest factor of modern times in keeping young men on the farms, declared General J. G. Harbord, president of the Radio Corporation of America, in a recent address. "With 31,000,000 people living on farms, the agricultural colleges enroll but 150,000 students. Radio should bring the advantages of scientific schooling to millions of farmers. It will enable the student, whose college course has been interrupted, to continue it, often with the same instructors. "Of all that may be said of radio the best is that it will tend to keep young people on the farm. There is the true independence, there is a real throne of the American sovereign. Entertainment and culture and the throbbing life of the metropolis, carried to the farm by radio, helping to make rural life more attractive and desirable, will sustain that class which is the backbone of our national existence."

WHY INVEST BLINDLY?

The public has been warned time and again not to buy stocks in companies about which it knows nothing. There is a large amount of money ready for investment this fall; profit by the following story before spending:

A girl who had worked for years as a clerk in a store had saved \$600. A smooth stock salesman met her and painted a glowing picture showing profits she could make in his company, enough to make her independent for life. As a matter of fact, the company was not even operating. The girl was so overcome by the story, however, that she invested her entire \$600 without making any inquiry as to the merit of the concern. Needless to say, she received no dividends and her capital was lost. Any banker would have gladly advised her free of charge.

FURNISHES FOOD FOR GOSSIP

The Springfield, Massachusetts, Union says: "Publication of income tax returns constitutes an unjust invasion of the citizen's right to decent privacy, encourages dishonest practices and sharp dealings by professional sharpers and among business competitors, fosters malicious gossip and slander and does not infallibly indicate the extent of a person's income. It thus gives rise to misunderstandings and worse."

WHAT IS ROTARY?

To be, rather than to seem; to act, and not to boast; to be active in good works, diligent in citizenship, earnest for what is of good repute—this is Rotary. To know distinction neither of creed nor of political allegiance; to be forward-looking and forth-putting; to interpret service in its broadest, most catholic interpretation—service to one's fellow man, service to the community, service that is real, not lip-service, these likewise are Rotary. To be mindful all the time that example is better than precept and that the common cause of all is the commonality, the community, these are the practice far more than the teaching of Rotary. To care about people; to consider the individual; to have a soul for humanity; to give without stint of one's purse, one's time, one's self, always with understanding, never without discretion, and so to make the world a better place to live in, a place more worth while—this to do with modesty no less than zeal, this also belongs. And thus life is changed and the zest of life heightened. The dull routine passes, the thinker and

BILL BOOSTER SAYS

TRY THIS SOME TIME — TAKE A WALK THROUGH THE BUSINESS DISTRICT WITH A SOLEMN SOUR LOOK ON YOUR FACE AND SEE HOW FEW SMILES GREET YOU — THEN WALK THROUGH AGAIN WITH A SMILING CHEERFUL MANNER AND SEE HOW FRIENDLY AND SUNNY FOLKS LOOK! JUST TRY IT ONCE!



GLIMPSES OF THE PAST

From the files of the Advocate, October 14th, 1911.

Wm. and Jake Kissinger went to Carlsbad Friday.

Mrs. H. C. Lawyer is visiting the folks back in Kansas.

The McDowell Club held the first meeting of the year at the Club home, Gilbert Studio, last week.

Mrs. R. M. Love, of Rose Lawn Ave., has as her guest her sister, Mrs. F. D. Martin, of Kansas City.

Mrs. E. F. Kerr returned to Artesia Wednesday night after several months' visit to relatives in Texas.

Mrs. T. F. Blackmore, who has been visiting in Carlsbad for some time returned home Wednesday morning.

Geo. R. Ray, of Artesia, won first place last week in an automobile race which was staged by the Roswell Products Exposition.

the doer clasp hands, a nobler impulse, a broader vision, a finer spirit inform and encourage all. And, in the end, sensing the wider opportunity, remembering honor, aiding the weak, achieving a real and profitable usefulness, distinguishing between what is important and what pretends to importance, the Rotarian stands foursquare before the world, claiming nothing for himself, ascribing nothing to his own merit, asking only that Rotary be known for what it is.

WHY THE DISCRIMINATION?

Uncle Sam never forgets the printer when he engages himself in the—shall we say ignoble—task of "throwing the harpoon." He is one of the boys that can make you like it whether you want to or not. For years he has been the unrelenting competitor of the printer in the matter of supplying the populace with printed envelopes, and in the recent readjustment of postal rates he takes another dig by requiring that post cards bear a two cent stamp—stock furnished by the printer—while the same matter can be printed on the back of a postal card furnished by the government and receive the same treatment for only one cent. Why the discrimination? Talk about your cross-word puzzles, this has got them all beat.—Humbolt, Nebraska, Standard.

Perhaps those who pay income taxes will finally wake up enough to make inquiries into the matter of the government printing industry. We do not believe the government can print envelopes at 20 cents per thousand with any greater degree of success than they directed the railroads during the war. Practically everyone is familiar with the losses sustained while the railroads were under government control.

DISEASES REPORTED FOR WEEK ENDING OCT 3, 1925

Chickenpox—Eddy 1, McKinley 1.
Conjunctivitis Acute Infec.—Bernalillo 3, Dona Ana 1.
Diphtheria—Dona Ana 1, Eddy 1, Sandoval 1.
Gonorrhoea—Chaves 3, Colfax 3, McKinley 2.
Mumps—Grant 2, McKinley 1, Quay 2.
Pneumonia—Chaves 1, Santa Fe 1, Pellagra—De Baca 3.
Poliomyelitis—San Miguel 1.
Rabies in Dogs—Dona Ana 1.
Scarlet Fever—Grant 1.
Syphilis—Grant 1, McKinley 1, Valencia 1.
Tuberculosis—Bernalillo 5, Colfax 1, Dona Ana 1, Grant 55, Luna 16, Santa Fe 1.
Typhoid—Bernalillo 3, Colfax 1, De Baca 14, Dona Ana 4, Gaudalope 7, Luna 2, Mora 4, Sandoval 1, Santa Fe 3, Socorro 1, Torrance 1, Union 1.
Whooping Cough—McKinley 5, Mora 1.



THE SNAKE

Tommy had started on his adventures to see an old man who was supposed to live at the top of a mountain. He had gone forth on his adventure all by himself so that he certainly felt like a real adventurer. He knew he would have a long climb before him but he was looking forward to everything that would happen on the way. The first creature he had met had been a snake. He had almost stepped on the snake by mistake, and the snake had been so relieved to find that Tommy was friendly. He had said that it was a great relief to him, and Tommy, not knowing what he had meant at first, had said: "What's a relief?" "I guess you wouldn't ask such a question if you'd been in my place," the snake chuckled. "It's a relief you didn't strike me with that stick. Wouldn't it be a relief to you if you'd escape being killed?" "I should say so!" Tommy cried. "It's too bad," the snake said, "but so many don't like us. The old man does though. He knows how we help the farmers and protect the crops for them. He knows how few of us would do any harm, and even old Rattler won't attack anyone unless he's cornered. "But just because we're snakes they hate us. Aren't you thankful you weren't born a snake?" "I'd hate to be a snake," Tommy said, and then thought that was pretty rude. "I mean," he explained, "considering I'm a boy." "I don't suppose you change your skin when you need a new suit, do you?" the snake continued. "Well, I'm smart enough to grow my own suits—I grow a new one under my old one and when I outgrow the old one I've a new one all ready to wear. "I don't cost my family a cent in clothes. "But I've an engagement. I must hurry. Are you going to see the old man?" "I'd like to," Tommy said. "Are you going there?" "No, not now," the snake answered. "But you're on the right way—so am I. Only I'm going to stop and have a nap in the most wonderful napping place of all. "I've just had my meal and as a reward for helping the farmer so much



"Please Take Me There," Tommy Said. the old man said I could go and have my nap there. "Perhaps you'd like to see the place. You wouldn't have to stay as long as I did." "Where is it?" Tommy asked. "It's where the wind goes when the wind dies down and is still." "Oh, please take me there," Tommy said. "I wonder where the wind goes at such times," he added as he followed the snake along. "It's quite a little trip from here," the snake said. "I don't mind at all," Tommy said. He thought it would be so wonderful to see the place where the wind went when the wind died down. "So you won't be tired," the snake said, "I'll sing you our hissing melody as I go along. Do you know it?" "I don't believe I do," Tommy said. "Well, I'll sing it for you." And the snake began to sing in a hissing tone of voice as it wriggled its way along with Tommy following:
Hiss, hiss, hiss,
When you see a snake,
Miss, miss, miss,
Don't hit a snake.
Miss it, miss it,
Hiss, hiss, hiss.
"I don't believe," the snake said, "I'll have time for any more. I had almost forgotten we were so near. "You'll see the Palace of the Wind. The sky is his roof, a warm sunny field is his bed. Do you wonder the Wind likes to go to such a place and have a rest?" "I don't wonder at all," said Tommy. "I feel almost as though I'd like to join the Wind in such a place myself." "Hiss, hiss," said the snake. "Well, take a nap if you like. No one is going to object that I know."

True to Form

"There's been quite a rumpus in the school yard. What's it all about?" asked the professor. "Why," explained Harold, "the doctor has just been around examining us, and one of the deficient boys is knocking the stuffing out of a perfect kid."

Go to the
Sanitary Barber Shop
for first class barber service
We specialize in ladies hair bows

Sadler Investment Co.
Leases, Royalties,
Stocks
Homes, Town Lots
Business Properties
Farms, Trackage
P. O. BOX No. 587

ARTESIA DAIRY
Pure Milk and Cream
PHONE 219
J. M. JACKSON, Prop.

Before Baking

Before you start your usual Baking for the week why not take the time to come here and see how much easier and more economical you can buy what you want instead of making it yourself. We specialize on high-grade Pastries.

City Bakery

Legal Blanks—Advocate

WE GIVE PROMPT AND EFFICIENT SERVICE
Guaranty Abstract & Title Co.
Carlsbad, N. M.
"Reliable Abstracters"
BONDED

When in Carlsbad make your headquarters at the
Crawford Hotel
Steam heat and hot and cold water in all rooms
Excellent Cafe in Connection

Typewriter Ribbons for sale at the Advocate Office.

THE EDDY COUNTY ABSTRACT CO.
CARLSBAD, NEW MEXICO
Reliable Abstracts
Prompt Service
Prices Right
We Are Bonded
Let us do your abstract work

Now is the Time

to see about buying that
New Heater. We have
a full line to select from,
priced right :: :: ::
Joyce-Fruit Co
If It's Hardware We Have It.

Upson Board
Texaco Roof
Lowes Brothers Paints
All Quality Products, Nationally Advertised
Backed by the Manufacturer
AND
Kemp Lumber Co
PHONE 14
Quality Building Materials

Coll and William
OIL LEASES BOUGHT AND SOLD
ATTRACTIVE RESIDENCES FOR SALE
CABINS ON RUIDOSO FOR SALE OR LEASE
Telephone 222

TELL US YOUR PRINTING TROUBLES—
IF YOU HAVE AN
OIL LEASE
for sale at a bargain, list it with me, I have buyers for any size tracts if price is right.
BEECHER ROWAN
ARTESIA, NEW MEXICO

YATES & DOOLEY
OIL OPERATORS
Artesia, New Mexico
Branch Office:
337 SHELDLEY BUILDING,
KANSAS CITY, MISSOURI
Phone: Harrison 1936

Social Stationery to Order
Artesia Steam Laundry
HOWARD WHITSON, Manager
LOCATED JUST NORTH OF SANTA FE DEPOT

For careful and prompt service, phone 96 and let us call for your laundry
FAMILY FLAT WORK and ROUGH DRY 8c A POUND.
Nothing too dirty or too delicate.
ONE DAY SERVICE

STANDARD STORE NEWS

ARRIVE
of Week

Cask Fancy Wisconsin Kraut, 2 pounds for 25c Case Golden BLOATER Herring, 2 for 35c
 Barrel Boston Beauty Mackerel, each 35c Choice French Mushrooms, can 40c
 Barrel White Spray Mackerel, each 20c New Pack Sour Pickles New Pack Dill Pickles

STANDARD STORE

YOURS FOR BUSINESS

Phone 15

Free Delivery

ARTESIA, NEW MEXICO

SUBMARINE PRICES

SUMMARY
PECOS
OIL FIELD

County.
 Co., Devlin No. 1, 213, Devlin ranch, out bridge.
 No. 1, 754 line and 2480 feet in section 51, block F. Ry. survey, shut down at 10-inch casing.
 Co., Macey corner sec. 29, Blk. survey, drilling at 530 feet.
 No. 2, sec. 2, Devlin ranch, 300 feet drilling at 300 feet.
 Co., Grey No. 1, 150 line in SW corner of Blk. shut down at 300 feet.
 Oil Co., Frank corner sec. 5, Blk. survey, moving on.
 Locations.
 Co., Macey sec. 27, Blk. 10, location.
 Co., Downs NE quarter of location.
 Co., Devlin No. 3, blk. ranch, 300 feet east.
 County.
 Co., No. 1, sec. 17, fishing.
 Nancy Lee survey, Half ranch, shut down.
 Macey et al., No. 1, sec. 8, blk. 35, Central Ry. survey, 330 feet from section line, total on pump.
 Co., Wilson No. 2, T. and S. L. Ry. 2200 feet; plugged. Will shoot 1800 feet.
 County.
 Co., Cowden 1/2 blk X, CCSDRG report.
 Co., Cowden 1/2 blk 2, H. and T. C. report.
 Co., Cowden 1/2 blk Z, CCSDRG report at 510 feet.
 County.
 Co., Watkins East lands, section 18, 800 feet.
 Co., G. W. Foster No. 1, section 5, block 93, 800 feet.
 County.
 Co., W. survey, sec. 83, blk. swabbing at 4272 feet.
 Co., N. W. Ry. survey, 202 feet.
 Co., Kyle No. 1, 1/2 blk F. Ry. survey, 100 feet.
 Co., W. D. Johnson No. 1, sec. 12, block 57, survey, rigging up.
 County.
 Co., Bell No. 1, sec. 1, G. N. Ry. survey, 2420 feet.
 Co., 1, 206 feet from sec. 31, blk. 57, material. Bunk.
 Co., H. Abrams No. 1, 1/2 Ry. survey, location 12, blk. 63, survey, drilling at 390 feet.
 County.
 Co., Gardner No. 1, school lands, 1,540 feet.
 Co., No. 1, sec. 1, lands, 2,330 feet.
 County.
 Co., Denton No. 1, sec. 1, complete.
JUDICIAL MATTER
 takes on a number during the summer. This is printed as "Your business—a and should not boys in signing won't mention ashamed of it River Weekly
 line of samples—Artesia Ad-
 for sale—

THIRTY SIX LIQUOR CASES TO BE TRIED IN CARLSBAD COURT

Monday, Tuesday and part of Wednesday, the first three days of the regular October term of district court, were devoted to the arraignment of defendants in liquor cases, a large number of which are to be heard at this term. Practically all of the criminal cases are for liquor offenses. The arraignments are as follows, the sentences not having been passed on guilty pleas at this time.

Candelario Villa, manufacturing liquor, plea not guilty, trial set for October 12th.

Candelario Villa, possession of property designed for manufacture of liquor, not guilty, case set for October 12th.

Reyes Martinez, rape, plea not guilty, case set October 22.

E. A. Kemper, possession of intoxicants, plea not guilty, case set for October 12th.

John Robbins, possession, plea not guilty, case set October 12th.

Salome B. Yoran and Fernan D. Martinez, possession, plea not guilty, case set October 13th.

Eulalio Salgado, possession, plea not guilty, case set October 14.

Juan Nunez and Sisto Alvarez, possession, plea not guilty, case set October 13.

Ramon R. Leos, possession, plea guilty.

Juan Suniga, manufacture of intoxicants, plea not guilty, changed Wednesday to guilty.

G. L. O'Neal, transporting, plea not guilty, case set October 13.

I. M. Allsipp, possession of property designed for manufacture of intoxicants, plea guilty.

I. M. Allsipp, possession of liquor, plea not guilty.

Frank Winton, sale of intoxicants, plea not guilty, case set for October 16.

Frank Winton, possession, plea not guilty, case set for October 16.

Frank Lattion, manufacturing intoxicants, plea of guilty.

Frank Lattion, possession, plea not guilty, case set October 16.

Tomas Ulate, possession, plea of guilty.

J. B. Henderson, sale of intoxicants, plea not guilty, case set for October 19.

J. B. Henderson, possession, plea not guilty, set October 19.

John Foster, possession, plea not guilty, set October 19.

John Foster, sale of intoxicants, plea not guilty, set October 19.

John Foster and J. B. Henderson, possession, plea not guilty, set for October 19.

Adolph Schneider, manufacture of intoxicants, plea of guilty.

Pedro Mejia, selling intoxicants to a minor, plea not guilty, set October 17.

M. B. Thompson, possession, plea not guilty, set October 21.

Miguel Martinez, sale intoxicants, third offense, plea not guilty, set October 14th.

John Foster and J. B. Henderson, manufacture of intoxicants, plea not guilty, set October 19.

John Foster and J. B. Henderson, possession of property for manufacture, plea not guilty, set for October 19.

N. B. Graves, transporting, plea not guilty, set October 21.

Miguel Martinez, sale of intoxicants, plea not guilty, set October 14th.

Alberto Romero, possession of property for manufacture of liquor, plea not guilty, set October 22.

Epifanio Gomez, theft of automobile, not guilty plea of 6th changed to guilty on 7th. Gomez was charged with theft of Ford car valued at \$200.00 from Pablo Parraz.

A. V. Stanfield, perjury, plea not guilty, case set October 21.

J. R. Stubblefield, perjury, plea not guilty, set October 21.

The two perjury cases above grew out of the murder trial of Judge Fields charged with killing of Harry Justis.

CHEVROLET BUILDS 55,000 CARS AND TRUCKS IN SEPT.

DETROIT, Mich., Oct. 14.—The Chevrolet Motor company built 55,865 motor cars and trucks during September, a new record for that month and only 378 fewer than the highest production month in the history of the company.

Ordinarily sales and consequently production are expected to decrease during the latter part of the year. However, the demand for Chevrolet cars which has held production at high figures throughout the year continues undiminished. As a result the schedule for the present month contemplates the building of more than 54,000 cars and trucks.

August deliveries to dealers in the United States alone were 41,500, an August record. This figure is exclusive of the thousands of cars shipped to foreign countries. During September deliveries in the United States increased to approximately 44,500, placing September second only to April and May of this year and exceeding the domestic deliveries for June, July and August respectively.

"I am proud of these records for two reasons," said Charles F. Barth, vice-president in charge of production.

"My first reason is that since March the Chevrolet production has remained consistently at 50,000 or more without the usual seasonal fluctuations. This indicates that the automobile industry is becoming stabilized upon a regular year-round demand.

"My second reason is that the September production proved conclusively the loyalty and capacity of the Chevrolet manufacturing organization. Unceasing demand for cars from the Chevrolet dealers made it necessary early in September to increase the September production schedule nearly 7,000, the new schedule calling for 53,155 cars and trucks. A production increase of that magnitude is a severe test of any manufacturing organization. The sales department would have desired us to increase the production schedule even more sharply. The results exceeded our highest expectations. The loyal workers in the Chevrolet factories, most of the veterans who are proud of their jobs and proud of their product, responded to a man. They came through with the record September production of 55,865 which was 2,700 more cars than we had asked for even under the revised schedule."

We have a complete line of samples of social stationery—Artesia Advocate.

WRIGLEYS
AFTER EVERY MEAL



affords benefit as well as pleasure.

Healthful exercise for the teeth and a spur to digestion. A long-lasting refreshment, soothing to nerves and stomach.

The Great American Sweetmeat, untouched by hands, full of flavor.

SEALED TIGHT KEPT RIGHT

WRIGLEYS SPEARMINT
THE PERFECT GUM
MINT LEAF FLAVOR

M. D. HARDCASTLE
SAND AND GRAVEL

Let me figure your hauling

Leave orders at Muncy Service Station or phone 4F11

ARTESIA, N. M.

WILSON TRANSFER CO.
SERVICE CAR
OUT OF TOWN HAULING

ANY TIME WHERE

Phone 20

ROSWELL LAUNDRY AGENCY

M. H. HUNTER
Civil Engineer

Special attention to

Oil & Gas Permit Surveys

ROSWELL, NEW MEXICO
Phone 211

MOURNING

"Hey, waiter, this steak is burned black."
 "Yes, sir, a mark of respect: our head waiter died yesterday."—Tuscola (Ill.) Purveyor.

Woodstock typewriters for sale—Advocate Office.

Don't Take Time

to plaster your house, use genuine Sheetrock Plaster Board. If you will try it out, I believe you will find that that two men can apply Sheetrock Plaster Board to three rooms while two plaster men are applying mixed plaster to one room.

Come to our yard and see the Sheetrock already applied to our walls.

Big Jo Lumber Co.
Office Phone 19 Res. Phone 169

C. W. Bartlett Sons' Co.

ELECTRICAL CONTRACTORS

House and Store Wiring, Electric Fans, Motors, Fixtures, Farm Light and Power Plants installed and repaired.

Fifteen years experience by bonded and licensed electrician.

ALL WORK GUARANTEED—PRICES RIGHT

Office at the

Majestic Airdome

Phone 33—Res. Phone 187

Mays Coffe Shop Olney, Texas	Little Mays Cafe 802 La Mar Wichita, Falls, Tex.
---------------------------------	--

MAY'S COFFEE SHOP
ARTESIA, NEW MEXICO

FOR WELL PREPARED FOOD—QUALITY PLUS SERVICE
Best Coffee—Pure Cream

TRY US WE ARE NO PIKERS

Social Stationery to Order—Phone No. 7

Plumbing and Heating

Patrons say we have caused Plumbing Prices to drop from

25 to 35%

here in Artesia, if this is what is wanted show us your appreciation by giving us your business.

WE ARE OLD TIMERS HERE, PRACTICAL AND RELIABLE

Pecos Valley Plumbing and Heating Co.

F. J. LUKINS, Sales Manager
West Main St.—Artesia, New Mexico

TELL US YOUR PRINTING TROUBLES—PHONE 7

Hotel McCoy

EL PASO, TEXAS
ABSOLUTELY FIREPROOF
In the Heart of Everything

Room Without Bath \$1.00 and Up
Room with Shower Bath \$1.50 Single
\$2.50 Double
Room with Tub Bath \$2.00 to \$3.00

ELEVATOR SERVICE NIGHT AND DAY

W. M. McCOY, Proprietor

Typewriter Ribbons for sale at the Advocate Office.

The Sunset Truck Line
El Paso and Artesia

With two more new trucks added to our equipment we now offer you the best truck service in the southwest.

Artesia Headquarters
DUNNS GARAGE
Phone 64

El Paso Headquarters
1125 TEXAS STREET
Phone M 296

FILED FOR RECORD IN CO. CLERK'S OFFICE

October 7th, 1925.
Certificates of Redemption:
 R. B. Armstrong to R. H. Jernigan, Tr. 21 sec. 30-17-23 B. 2 and L. 2, 3, 4, 6, B. 1, Artesia Add, Hope L. 11, B. 8, Orig. L. 5, 7, B. 3, Gage & R; L. 2, 4, 6, B. 1, L. 1 to 22 B. 2 Alfalfa Add. to Hope. To F. Dooley, L. 2, 4, B. 2 Forest Hill.
 Lis Pendens:
 No. 4143. Federal Reserve Bank vs. Fred Neymeyer, et als. Dover Phillips attorney for Plaintiff.
 October 8, 1925.
Certificates of Redemption:
 R. B. Armstrong to L. A. Vaughn L. 7 to 10, B. 13; All B. 14-19-22; L. 7 to 10, B. 21; L. 7 to 10, B. 20, Gibson Addition to Carlsbad; to H. Batton L. 1-3, B. 9, Chisum Addition to Artesia.
Patents:
 United States to J. N. Nevenger NE 1/4 25-22-26; to John B. Reed N 1/2 SE; SWSE; SEW 25-23-26.
Warranty Deeds:
 R. O. Bartlett to C. W. Bartlett \$10 L. 9, B. 9, C & S Addition to Artesia. N. R. Meeks to L. R. Meeks, \$1.00 1/2 int. B. 15, Fairview, Artesia. H. S. Wright to E. C. Estes \$35 L. 9, B. 4, Chisum Addition to Artesia; L. 11, B. 4, Chisum Addition to Artesia. W. B. Uihlein to R. L. McCall \$1.00 N 1/2 NW 34-22-27.
 October 9th, 1925.
Certificates of Redemption:
 R. B. Armstrong to Sallie L. Robert 1/2 int. N 1/2 SW 9-19-24; to R. F. Rehberg L. 13, B. 10, C & S Addition to Artesia.
Oil and Gas Leases:
 O. L. Smith to Hope Development Co. W 1/2 NW; SENW 34-17-23. Henry Russell to Hope Development Co. S 1/4 NE; SE 1/4 5; NE 1/4 8-18-23. J. P. Cauhape to Hope Development Co. S 1/4 NW; N 1/2 SW 6; W 1/2 NW 7-18-23. J. D. Bunting to Hope Development Co. S 1/2 SW; NWSW 5; E 1/2 SE 6-18-23.
In the Probate Court:
 Final Order in the Matter of the Estate of Hart Crouch, Deceased No. 400.
In the District Court:
 J. W. Mitchell vs. P. D. McConnell Suit on Note No. 4144. Joyce-Pruit Co. et als vs. W. G. Brown et al L. 4, 8, 10, 12, 14, 16, 18, 20, 22, 24, 26, B. 5; L. 3, 13, 15, 17, 19, 21, 23, 25, B. 6, Original; L. 5, 7, 9, 11, B. 6, Orig. Carlsbad.
 October 10th, 1925.
Certificates of Redemption:
 R. B. Armstrong to W. H. Morgan L. 1-3, B. 24, West Dayton; to Florence Dooley L. 2-4, B. 2, Forest Hill Add. Artesia.
In the District Court:
 International Supply Co. vs. Sandburg Petroleum Co. et al No. 4146. F. G. Gooden vs. Sandburg Petroleum Co. et al No. 4147.

NOTICE OF PUBLICATION (Domestic)

Pursuant to Section 1018 of New Mexico Statutes Annotated, Codification of 1915, as amended by the Session Laws of 1925, notice is hereby given of the filing in the office of the State Corporation Commission of New Mexico of a certificate of incorporation of the New Mexico Pipe Line Company.
 1. The amount of authorized capital stock is \$150,000.00. The amount of Capital Stock actually issued and with which the company shall commence business is \$150,000.00.
 2. The names of the Directors and their Post-office addresses are:
 V. S. Welsh, Artesia, New Mexico.
 Martin Yates, Jr., Artesia, New Mexico.
 Elton W. Stanley, Denver, Colorado.
 Robert F. Armstrong, Denver, Colorado.
 Richard Jackson, Denver, Colorado.
 3. The objects and purposes of the said corporation are:
 To construct, own, lease, operate and maintain tubing, pipe lines and other devices for the transportation, transmission and delivery of gas, crude petroleum or refined products therefrom; to construct, maintain, own, lease, and operate gathering lines, tankage, pumps, loading racks, switches, depots, warehouses, terminals, terminal facilities and any and all other appurtenances incident to, or use in connection with, a pipe line system for transportation of crude petroleum, including telegraph and telephone lines. To buy, contract for, lease and in any and all other ways acquire, take, hold and own, and to sell, mortgage, lease or otherwise dispose of lands, mining claims, mineral rights, oil wells, gas wells, oil lands, gas lands and other real property, and to manage, operate, maintain, improve and develop said properties, and to do any and all of the things authorized by the articles of incorporation of said corporation.
 4. The principal place of business of the corporation and the name of the Statutory Agent therein and charge thereof, upon whom process against the corporation may be served is Martin Yates, Jr., at Artesia, New Mexico.
 5. Filed in the office of the County Clerk of Eddy County, September 15th, 1925, at 8 A. M.; Book 3, Page 149.
 STATE CORPORATION COMMISSION OF NEW MEXICO.
 By B. MONTOYA,
 Chairman.
 10-8-25

October 12th, 1925.
Oil & Gas Lease:
 L. H. Reed to S. C. Clark, SWNE; NWSE; 7-19-25. Diamond A. Cattle Co. to Midwest Inv. Co., WNE; 10-16-27. H. C. Graft to S. R. Offutt, WSE; 15-17-27.
Quit Claim Deed:
 J. B. Atkeson, et al. to F. V. Moore Pt. L. 2, Sec. 18-17-27.
Certificate of Redemption:
 R. B. Armstrong to V. S. Welsh, S 1/2 B. 16, Fairview; Pt. B. 16, Fairview; La B. 16, Fairview; to Rowan & Williams, Pt. B. 16, Fairview.

Woodstock typewriters for sale—Advocate Office.
Clean cotton rags wanted at the Advocate office.

MAJESTIC CAFE
 THE HOUSE OF QUALITY
 GOOD EATS
 Prompt Service Prices Right

Real Economy in Transportation

CHEVROLET

Quality is the biggest factor in economy; Quality determines the pride you take in your car; Quality determines whether the price you pay is economical or uneconomical. Quality, the finest you can buy in a low priced car, is provided by Chevrolet. The quality built into a Chevrolet assures economy from the time of your purchase through the entire life of the car. Come to the Special Exhibit this week! It shows how quality is built into Chevrolet. Come in—find out for yourself how remarkable a value you obtain in a Chevrolet because of its "Quality at Low Cost."

Touring - \$525	Sedan - 775
Roadster - 525	Commercial Chassis - 425
Coupe - 675	Express Truck Chassis - 550

All prices f. o. b. Flint, Michigan



The Coach \$695 f. o. b. Flint Michigan

Lowrey-Bailey Auto Co.
 Artesia, N. M.

QUALITY AT LOW COST
ARTESIA ADVOCATE
 WANT ADS GET RESULTS—TRY ONE

ECZEMA!

Money back without question if HUNT'S GUARANTEED SKIN DISEASE REMEDIES (Hunt's Salve and Soap), fail in the treatment of Itch, Eczema, Ringworm, Tetter or other itching skin diseases. Try this treatment at our risk.

MANN DRUG CO., ARTESIA, N. M.

The Way To Get Well and To Stay Well

Is to live in direct accord with natural law; but what is that law? The many branches of the healing art today demonstrate the fact that not all of us are agreed. If any one were absolute, all other methods would in time become extinct and the perfect method would survive.

One thing I do know, absolutely, and that is, that thousands of people have gotten well by spinal adjustment and continue in a state of health, mentally and physically.

You know full well that every intelligent doctor, regardless of the school he represents, will admit that the tendency of the body is to return to a state of health if given an opportunity to function properly. He will tell you that "Nature Cures," that "you must give Nature a chance," etc., etc., but why is it that he does not assist Nature?

It is true that the tendency of every cell in the body is to build up, create new cells and restore vitality, and these cells will rebuild, providing there is a free nerve supply to the part or parts affected.

This re-creative process is directed by the innate intelligence of man expressing itself over nerve routes. These nerves ramify throughout the body after their emission from the spinal foramina.

Any pressure, tension or traction on the nerves at the spine will inhibit nerve supply and destroy life in time, regardless of what is done by medicine, diet, exercise, mental therapy or any other method. The one and only way to permanently restore proper nerve supply is by removing the cause of the "short circuit,"—the subluxated vertebra. This is done only at the hands of the experienced manipulator—the competent, educated and experienced CHIROPRACTOR.

I am not limiting myself to special diseases. I am in general practice prepared by training and experience to render earnest, pains-taking aid to those who are in need of competent, professional assistance. There is no mystery in the proper administering of a spinal adjustment. It conforms to natural law, promotes good health and long, happy lives, happy mentally and physically.

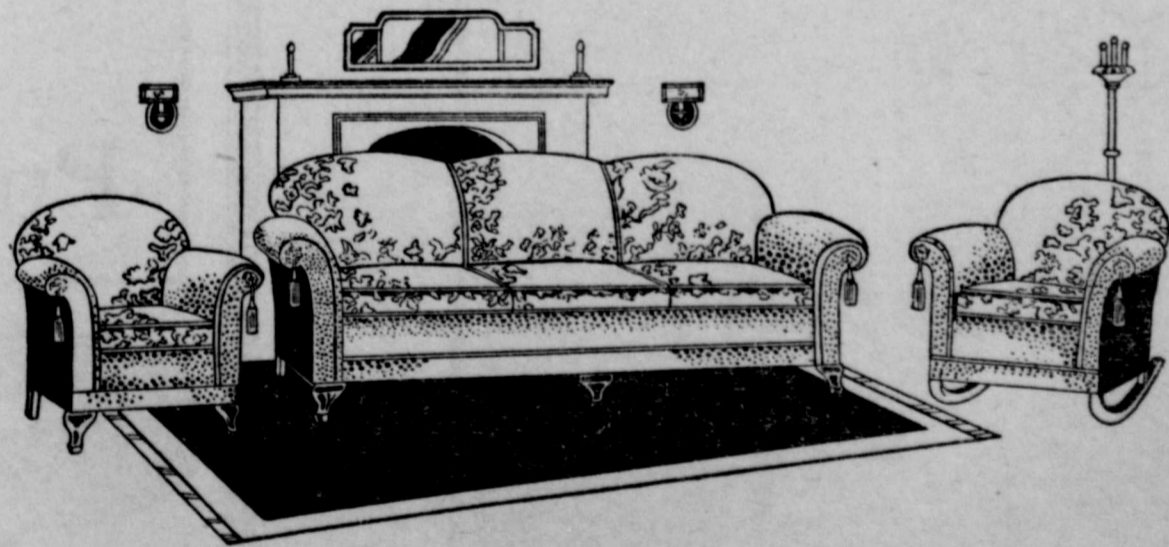
CONSULTATION AND SPINAL ANALYSIS BETWEEN THE HOURS OF 9-12 and 2-6 P. M.

EVENINGS AND SUNDAYS BY APPOINTMENT

Dr. James E. McCabe
 Chiropractor
 NEXT DOOR TO POST OFFICE—PHONE 31

The largest and most complete line of
FURNITURE

ever seen in Artesia is now on display at our store. We have just unloaded a car of furniture, newest of patterns to select from.



This beautiful living room suite, including two rockers priced at only
\$200

McClay-Watson
 Furniture Company
 "Everything for the Home"

NOTICE
 OF PUBLIC
 STATE TO
 CATTLEMEN
 F. ZOOK
 G. F. ZOOK
 College defeated the
 Military Institute foot-
 ball team at Clarendon by a
 score of 14-0.

THE BANKER-EDUCATOR PLAN TO PROMOTE BETTER AGRICULTURE

By D. H. OTIS,
Agricultural Director, American Bankers Association

Whenever bankers desire to promote actively agricultural improvement in their communities, the state agricultural colleges stand ready to show them the way and to give expert assistance. The purpose of this article is to illustrate the way in which the colleges are getting in contact with the banks, and the kind of assistance they render.



D. H. Otis

As soon as the college has a list of the banks in the state desiring to adopt plans to aid agriculture as indicated by project blanks sent out to all the banks in the state, by the State Bankers Association Agricultural Committee, it gives practical suggestions to each banker on the list as to what he can do to stimulate, organize, and conduct the work in the particular project he has selected.

Then either a department specialist from the college or the county agent gets in personal touch with the banker to assist him in an advisory capacity.

Samples of the project outlines are given below to illustrate the details of the procedure the college takes in accomplishing its plan.

College Provides Expert Advisers
In counties with no county agent a list of the banks desiring to carry on a project is sent to a specialist at the state college, according to the project listed. For instance, the banks desiring to carry on the farm accounts project are assigned to the farm management specialist, those desiring to carry on the legume project to the agronomy specialist, those interested in boys' and girls' club work to the junior extension specialist, and so forth.

In counties that do have a county agent a list of the banks and the projects in which each is interested is sent to him with a request that he get in touch with the bankers and help them in regard to the various projects. The next step by the college is to write to each banker on the list sending him project outlines and informing him that the county agent or a specialist from the college will get in touch with him. If there is no agent in the county this letter reads as follows:

Union State Bank,
Bankville.
Gentlemen—You will find enclosed a brief outline of the farm accounts project in which you have indicated your interest to your State Agricultural Committee and to the Agricultural Commission of the American Bankers Association.

I am sure that the specialist from the agricultural college will be pleased to assist you in carrying out the suggestions indicated. We have asked him to get in touch with you.
Director, Agricultural Extension.

The letter to bankers in counties that do have a county agent informs them that he will get in touch with them.

Suggests Things the Banker Can Do
The project outlines sent to each banker give specific suggestions as to the things he can do to organize the work in his project, and the part he can take in carrying out the work. The more simple and concrete these

suggestions are the more valuable they are to the banker. Following are samples of such project outlines:

Farm Accounts Project

1. Banker can select group of farmers who can and should undertake the work of farm accounts.
2. Arrange with county agent or specialist from agricultural college for first meeting of the group and select an account book.
3. Assist individuals at their request with information relative to entering accounts and other data properly.
4. Act as or select leader for the group.
5. Assist in checking inventories as a means of securing individual financial statement at close of the year.

Boys' and Girls' Club Work

1. The banker can arrange with the county agent or the specialist of the agricultural college for organizing a club.
2. Plan to present various types of club work at the next meeting and perfect the organization of a local club.
3. Banker may act as local leader of the club.
4. Cooperate with county agent or specialist in annual "Achievement Day."
5. Banker may offer prizes for club work or otherwise assist in financing same.

Legume Project

1. The banker can get information from county agent or specialist from the agricultural college on the value of alfalfa, soy bean, or sweet clover crops to farmers of the community.
2. Arrange for meeting of interested farmers with county agent or specialist.
3. At this meeting county agents, specialists, or others will discuss:
 - (a) Value of crop.
 - (b) Seed supply and varieties.
 - (c) Methods of handling the crop.
 - (d) Use and disposition of crop.
4. Plan with county agent or specialist meetings and demonstrations on plots or fields.
5. Secure exhibits for community or county fair.

Cow Testing Associations

1. The banker can arrange with county agent or specialist from agricultural college for meeting of interested group of farmers in the community for the purpose of organizing a cow testing association.
2. Banker may act as leader, and with county agent or specialist plan to visit prospective farmers who may join the association.
3. Organize for work and assist in securing testing equipment and other materials whenever necessary.
4. Call meetings periodically to discuss association business and hold picnics or tours.
5. Banker with county agent or specialist may arrange for C. T. A. booth at community or county fair giving testing demonstrations and explaining work of association.

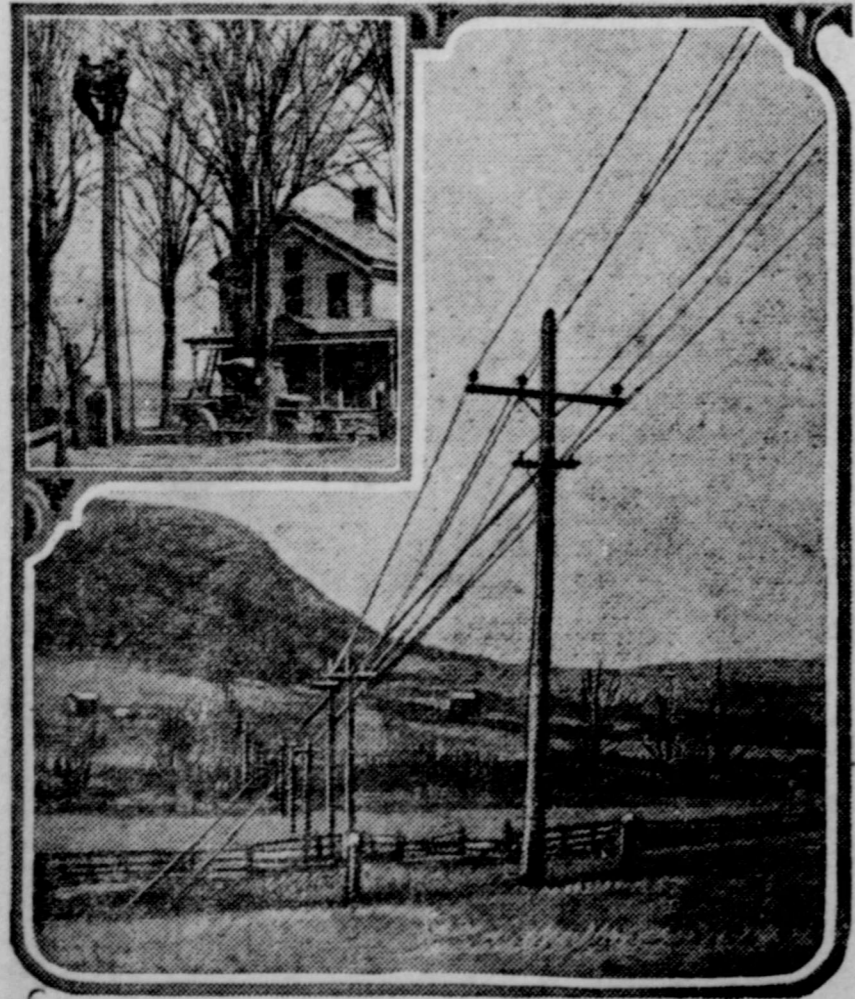
This constitutes the preliminary work by the college which paves the way for constructive work by the bankers in banker-farmer projects.

ELECTRICITY WINS WAY WITH NEW YORK FARMS

The Schoharie Valley, one of the most fertile sections in New York state, is fast becoming electrified. The Fulton County Gas and Electric Company now has a network of wires covering approximately 50 miles, supplied with hydroelectric power, and is still active in extending its lines throughout the rural sections.

"A moral responsibility to the

established a minimum charge of \$1 per month with a sliding scale of rates from 15 cents to 6 cents per kilowatt hours of electricity. Where cooking devices are used a flat rate of 4 cents per kilowatt is charged with a minimum charge of \$2 per month. Where the farmer extends electricity to his barn for uses other than lighting, including power applications, the rate varies from 2½



Above: Linemen connecting a Schoharie valley farm in New York state with power line from a pole transformer. Below: The power line extends through the farm fields for many miles.

farmer," declared W. J. Fox, district manager for the company, when asked how the development had been undertaken. "Of course it will eventually be good business, but right now it is good will we want of the farmers."

For farm lighting, the company has

cents per kilowatt hour to 10 cents, according to the amount of electricity used.

One of the villages served, Cobleskill, is now practically 100 per cent electrified. There are but two or three houses which do not use electricity at least for lighting.

ROSWELL

THE MARKET OF
THE PECOS
VALLEY

The Pride

ROSWELL

Whatever You Need

WHY SEND YOUR MONEY

DUFFEY'S FOR MEN:

100 Suits Worth \$25, \$30, \$35, \$40 and \$45

While They Last—Going at \$19.75

DUFFEY'S

ROSWELL, NEW MEXICO

A Most Satisfactory Place to Trade---One of Roswell's Oldest DRUG STORES

Our service for the past fifteen years should be sufficient guarantee of the utmost in quality drugs and medicine and other drug store needs. Capable selling with service methods bound to satisfy the most exacting and presenting the utmost quality drugs at the lowest prices with every ability to please you best. In prescription work we are undoubtedly leaders due to exceedingly fine care, the exercise of thorough knowledge and ability in compounding.

Pecos Valley Drug Company

ROSWELL, NEW MEXICO

THE REXALL STORE

Rodden's
Studio
"NUF SED"

HAIR GOODS AND WORK, VEGETABLE
HAIR DYEING AND SPECIAL
TREATMENTS

Roswell Beauty Shop

MRS. CHAS. A. PORTER

Manicuring, Shampooing, Hair Dressing,
Facial Massage, Scalp Baths and
Marcelling and Permanent Waving
Marinello Toilet Articles

301 N. Main St.—ROSWELL—Phone 69

SERVICE WITH A SMILE

at Conley Filling Station, First and Main Street—and don't forget we have just opened one of the nicest grocery stores in Roswell, just two doors east of our Service Station where we will give the same service in our store as at our station.

Henry C. Conley, Proprietor

More Than Just a Clean Shirt

You get a shirt that is finished just right in every particular and you get a COLLAR that you need never be ashamed to wear.

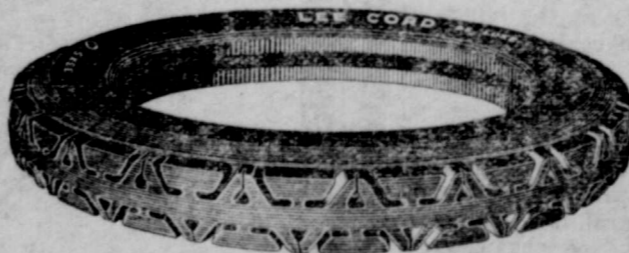
Such results are impossible without special equipment such as we have. We INVITE YOU to visit our plant when in Roswell.
THE SOFT WATER LAUNDRY

Roswell Laundry Company

When in Roswell visit our furniture store—the largest and best Furniture Store in the Pecos Valley.

YOUR CREDIT IS GOOD

Purdy Furniture Store



PHONE 489
SHOOK TIRE COMPANY
WHOLESALE AND RETAIL
116 West Second Street
ROSWELL, NEW MEXICO

Purity Creamery Co.

DEALERS IN

Milk, Cream, Gold Brick and
Sunbeam Butter, Buttermilk

Phone 116—Roswell, N. M.—202 E. 5th St.

WATCH THIS
SPACE NEXT
WEEK

White Lin

Roswell-Al

Direct connections
with S. P. Train
El Paso, Arizona
point
Office 106 South



MALON

The Malone Main and Second progress and pro organized with B retary and man 1924. They emb from the first wa porated with a \$

Their sales t erage of one car every the class and price of

These gentlemen and Franklin distribu They have a st

This plant has partments besides the Their motto is

it must be a success.

Examination Free

Dr. C. E. A

CHIROP

Keep S

316 N. Richardson

Roswell the Ut flowers. Roswell the and happiness, and B her thousands of adm be exaggerated, from the people tickled, it

It was the best revelation to those of

The exhibits ca positive that Roswell

One especially a need more people," an erous dry farm secti quality, could be rais other to get here.

The farm prod reputation, for excell there are the best ca near an oil structure this possibility in cons

Too much came last but not least here a stimulating climate,

Valley

MEXICO

ROSWELL

WHERE YOU
ARE ALWAYS
WELCOME

Bought in Roswell

MAIL ORDER HOUSES?

TIRES ACCESSORIES TUBES

LOWREY AUTO CO., Roswell
LOWREY-BAILEY AUTO CO., Artesia
CHEVROLET

Keep Your Money at Home

We endeavor to carry a complete line of Plumbing and Heating equipment in Artesia for your convenience and in addition you have a stock of thousands of dollars to draw from here in Roswell.

Roswell Plumbing & Heating Co.
Phone 57—128 East Third

Daniel Paint & Glass Co

Our Duco Plant for Repainting
Automobiles is now in
operation

Ask for Estimate and Delivery Dates

The Little Hat Shop

The Latest in Millinery, Ready-to-Wear
Hosiery, Gloves and Silk Underwear
AT MONEY SAVING PRICES
MISS A. L. SCHRAM
ROSWELL, NEW MEXICO

WATCH THIS
SPACE NEXT
WEEK

PUMPS AND MOTORS

Complete line of AMERICAN Pumps and Pump Repairs in stock—also
a good stock of WAGNER ELECTRIC MOTORS.

ROSWELL PUMP CO.

110 EAST SECOND STREET

SILVER MOON CAFE

"The Place That's Different"

Clean Food, Clean Linens, White Help
WHEN IN ROSWELL EAT WITH US

AT BANKHEAD HOTEL

KIPLING'S

Where you will find what you
want in candy, lunches and
fountain service

Kipling's Confectionery, Inc.

SEE THE TOP SAVER

297 North Main St.—Phone 1162W

Welter Saddlery Co.

Harness, Saddles, Bits and Spurs
Auto Tops that are Right

ROSWELL, N. M.

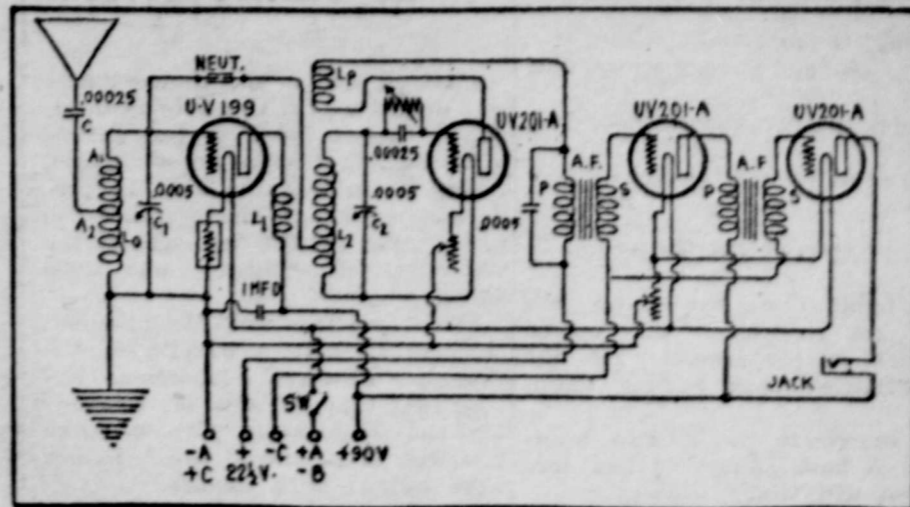
Sales and Service

"THIS IS A STUDEBAKER YEAR"

Malone-Coppedge Motor Co



RADIO



Circuit of Browning Drake Receiver. A Non-Radiating Four-Tube Set With Regeneration and Radio Frequency Amplification.

The radio public has been introduced to hundreds of receiving sets and circuits during the past year or two. Some of them have been new but most of them have employed old principles and ideas revamped to look like something different. In some cases the new arrangement of circuits have been improvements while in others nothing worth while has been accomplished other than to make slight changes in order to attach trade names to old circuits. It is the exception rather than the rule when a circuit is designed and given to the public that really has an advantage over older methods.

Manufacturers and designers for some time have been working toward the neutrodyne and away from the regenerative. This has been due to the fact that the neutrodyne is an exceptionally good radio frequency amplifier and the regenerative, of the popular type, has several objectionable features. The trend along this line was so great for a while that there was an organized effort made to condemn the regenerative set as a public nuisance. Time, however, has brought a reaction and the public has begun to realize that a good regenerative is hard to beat. Engineers likewise are almost ready to admit that a receiver does not amount to much unless it uses some form of regeneration.

Eliminates Radiation.

The Browning Drake receiver employs one stage of neutralized radio frequency amplification, detector and two stages of audio amplification. The stage of radio amplification strengthens the radio frequency signals before they get to the detector and permits very sharp tuning. The detector with regeneration gives all the advantages of the old regenerative without radiation, which is the worst of the defects of the old receivers of this type.

The circuit of the Browning Drake receiver is given in the accompanying drawing. The two main features of the receiver are the antenna tuning inductance and the radio frequency amplifying transformer that works into the detector tube. The latter is made of three inductances, the primary, secondary and tickler, and is called a regenformer to differentiate it from the ordinary transformer.

The antenna inductance L-0 consists of 50 turns of No. 20 double silk or cotton-covered wire wound on a three-inch tube. A tap is taken off at the center of this coil A-2 so that when the set is used with a long antenna it can be compensated for by using only half of the coil. When a short antenna is used it is attached to the top of the antenna inductance A-1. If neither of these connections are found to be appropriate for the antenna further variations in the circuit can be made by placing fixed condensers in series with the antenna. The regenformer consists of three windings. The secondary is made of 60 turns of No. 29 double cotton or silk-covered wire wound on a three-inch tube. The tube should be long enough to allow for the mounting of the tickler. One tap is taken off of the secondary coil. This is at the fourteenth turn counting from the end opposite the tickler, and is used for neutralizing the tube capacity. The primary L-1 consists of 24 turns of No. 30 D S or C C wire, wound jumbie fashion in a slot one-half inch deep and one-eighth inch wide on the outside edge of a wooden disk that will fit snugly into one end of the tubing that supports the secondary winding. This coil should be placed at the low potential end of the secondary, the lead of which goes to the A battery.

The tickler is of the common type, 30 turns of No. 29 D S or C C wire wound on a tube two inches in diameter. This is mounted on a rod that passes through two holes in the tubing that holds the secondary coil. It is placed at the high potential end of the secondary the lead of which is connected to the grid condenser and leak.

Care in Mounting.

When mounting the antenna coil and regenformer care should be taken to place them at right angles to each other. This eliminates or reduces to a minimum coupling between the two circuits and prevents any feed back between them. In the standard parts made for this receiver the coils are mounted on the backs of the two variable condensers.

201-A or 196 tubes can be used. In the circuit shown a 196 tube is used as the radio frequency amplifier and 201-A's for the detector and audio amplifiers. The 196 is practically as good as a 201-A as a radio frequency amplifier and is somewhat more easily neutralized. The larger tubes give more volume than 196s when used as

detectors or audio amplifiers and for that reason are recommended in these positions in the Browning Drake four-tube receiver.

An amperite of the right value for a 196-tube is used in series with the filament of the first tube. A 30-ohm rheostat permits the control of the current to the filament of the second tube and a 20-ohm rheostat is connected in the negative filament lead to the two audio amplifiers. Two amperites can be used in place of the 30-ohm rheostat if one wishes to reduce the number of controls to a minimum.

The values of the various condensers, the remainder of the instruments and the correct connections are shown plainly on the diagram.

Those who have built receivers of this type are very high in their praise of the efficiency of the circuit. The four tubes give a greater amount of amplification than is obtainable with a five-tube set having two stages of radio amplification. Regeneration in the detector of the Browning Drake set affords much greater amplification than one stage of straight radio frequency amplification. One tube has therefore been eliminated, and by the use of one 196 tube the current drain on the "A" battery has been reduced materially. This receiver will be of particular interest to those who have asked the question, "How can I add one stage of radio frequency amplification to my regenerative receiver?"—St. Louis Post-Dispatch.

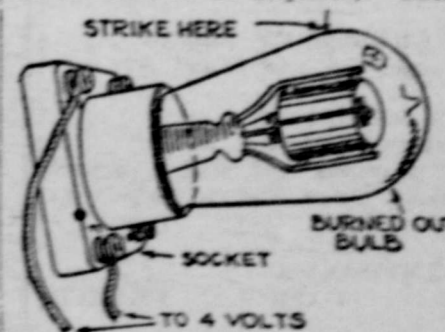
Welding Tube Filament

With Regular Current

No doubt all radiophans have experienced the bad luck of burning out a tube, usually just when an extra is not at hand. If you have patience and carefully follow these directions you can repair your burned-out tubes.

The method of doing this is quite simple as can be seen in the illustration. The burned-out tube is placed in a socket and wires led to the filament binding posts, and these connected to the battery. About four volts is all that is required, and is often better than the usual six. The bulb is held in one hand, the other being used to strike the bulb as shown by the arrow in the illustration. The bulb should be held so that the plate is in the position shown. The bulb may require quite a lot of hitting before the broken filament will touch and weld. After the filaments touch the current will weld them together, but the tube will have to be handled with care so as not to jar them apart.

Bulbs repaired in this manner will give nearly as good results as new ones. They also make excellent detectors, sometimes being better than the ordinary detector tube, as they can use more current on the plate (if the tube is an amplifier). These



Bulb Should Be Held So Plate is in Position Shown.

bulbs require much less current than the ordinary tube with almost as good results.

The bulbs described are those of the older make (UV-200 and 201); however, the newer ones (UV-201) may be repaired in this way in many cases.—Radio Digest.

Hints That Will Be of

Interest to Radio Fans

Copper foil makes the best fixed condenser.

Keep wires straight; a kink in a wire may cause it to break.

The clips and terminals of a battery should be cleaned once a week.

A small watch case voltmeter is a valuable accessory to any radio set.

A crystal receiver provides the simplest means of detecting radio signals.

Rubbing over a bakelite panel with an oil-soaked rag will make the surface look like new.

A fairly good loud speaker can be made by fitting a telephone receiver into an old phonograph horn.

Keep the grid leaks of an amplifier as short as possible. The shorter they are the less chance of howling.

The proper test for a battery should be made with a voltmeter after the set has been operating about 30 minutes.

THE BANKER-EDUCATOR PLAN TO PROMOTE BETTER AGRICULTURE

By D. H. OTIS,
Agricultural Director, American Bankers Association

Whenever bankers desire to promote actively agricultural improvement in their communities, the state agricultural colleges stand ready to show them the way and to give expert assistance. The purpose of this article is to illustrate the way in which the colleges are getting in contact with the banks, and the kind of assistance they render.



D. H. Otis

As soon as the college has a list of the banks in the state desiring to adopt plans to aid agriculture as indicated by project blanks sent out to all the banks in the state, by the State Bankers Association Agricultural Committee, it gives practical suggestions to each banker on the list as to what he can do to stimulate, organize, and conduct the

work in the particular project he has selected. Then either a department specialist from the college or the county agent gets in personal touch with the banker to assist him in an advisory capacity.

Samples of the project outlines are given below to illustrate the details of the procedure the college takes in accomplishing its plan.

College Provides Expert Advisers

In counties with no county agent a list of the banks desiring to carry on a project is sent to a specialist at the state college, according to the project listed. For instance, the banks desiring to carry on the farm accounts project are assigned to the farm management specialist, those desiring to carry on the legume project to the agronomy specialist, those interested in boys' and girls' club work to the junior extension specialist, and so forth.

In counties that do have a county agent a list of the banks and the projects in which each is interested is sent to him with a request that he get in touch with the bankers and help them in regard to the various projects.

The next step by the college is to write to each banker on the list sending him project outlines and informing him that the county agent or a specialist from the college will get in touch with him. If there is no agent in the county this letter reads as follows:

Union State Bank,
Bankville.
Gentlemen—You will find enclosed a brief outline of the farm accounts project in which you have indicated your interest to your State Agricultural Committee and to the Agricultural Commission of the American Bankers Association.

I am sure that the specialist from the agricultural college will be pleased to assist you in carrying out the suggestions indicated. We have asked him to get in touch with you.

Director, Agricultural Extension.

The letter to bankers in counties that do have a county agent informs them that he will get in touch with them.

Suggests Things the Banker Can Do

The project outlines sent to each banker give specific suggestions as to the things he can do to organize the work in his project, and the part he can take in carrying out the work. The more simple and concrete these

suggestions are the more valuable they are to the banker. Following are samples of such project outlines:

Farm Accounts Project

1. Banker can select group of farmers who can and should undertake the work of farm accounts.
2. Arrange with county agent or specialist from agricultural college for first meeting of the group and select an account book.
3. Assist individuals at their request with information relative to entering accounts and other data properly.
4. Act as or select leader for the group.
5. Assist in checking inventories as a means of securing individual financial statement at close of the year.

Boys' and Girls' Club Work

1. The banker can arrange with the county agent or the specialist of the agricultural college for organizing a club.
2. Plan to present various types of club work at the next meeting and perfect the organization of a local club.
3. Banker may act as local leader of the club.
4. Cooperate with county agent or specialist in annual "Achievement Day."
5. Banker may offer prizes for club work or otherwise assist in financing same.

Legume Project

1. The banker can get information from county agent or specialist from the agricultural college on the value of alfalfa, soy bean, or sweet clover crops to farmers of the community.
2. Arrange for meeting of interested farmers with county agent or specialist.
3. At this meeting county agents, specialists, or others will discuss:
 - (a) Value of crop.
 - (b) Seed supply and varieties.
 - (c) Methods of handling the crop.
 - (d) Use and disposition of crop.
4. Plan with county agent or specialist meetings and demonstrations on plots or fields.
5. Secure exhibits for community or county fair.

Cow Testing Associations

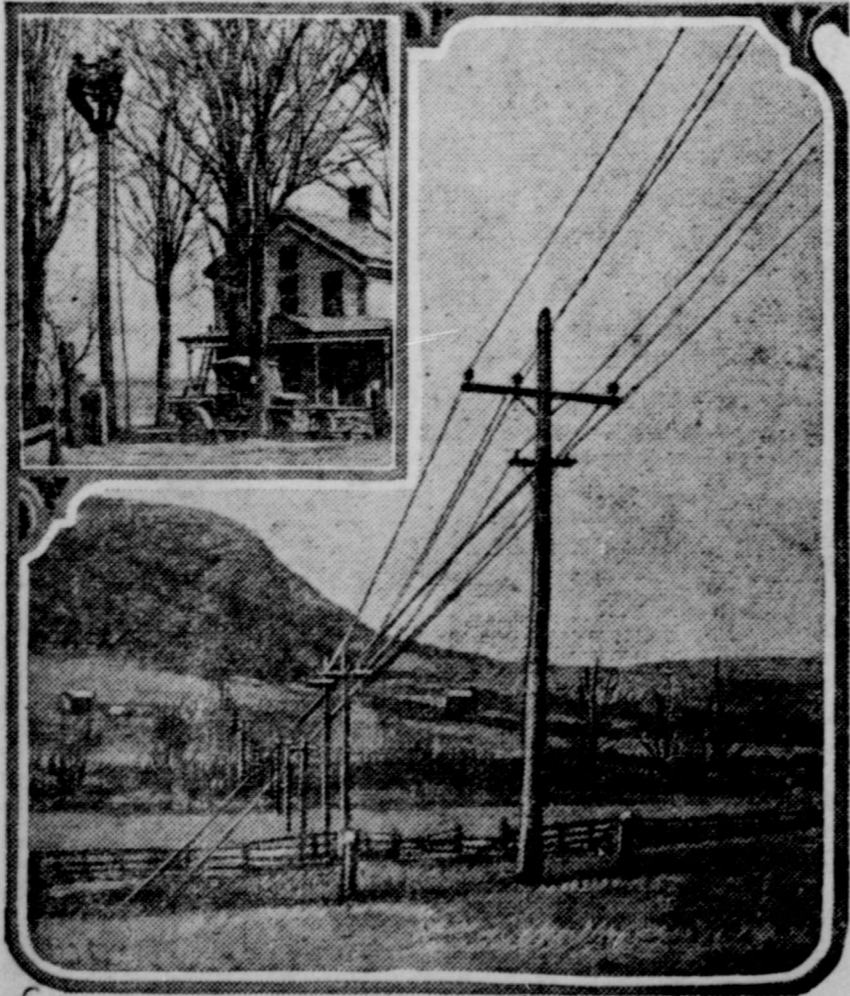
1. The banker can arrange with county agent or specialist from agricultural college for meeting of interested group of farmers in the community for the purpose of organizing a cow testing association.
2. Banker may act as leader, and with county agent or specialist plan to visit prospective farmers who may join the association.
3. Organize for work and assist in securing testing equipment and other materials whenever necessary.
4. Call meetings periodically to discuss association business and hold picnics or tours.
5. Banker with county agent or specialist may arrange for C. T. A. booth at community or county fair giving testing demonstrations and explaining work of association.

This constitutes the preliminary work by the college which paves the way for constructive work by the bankers in banker-farmer projects.

ELECTRICITY WINS WAY WITH NEW YORK FARMS

The Schoharie Valley, one of the most fertile sections in New York state, is fast becoming electrified. The Fulton County Gas and Electric Company now has a network of wires covering approximately 50 miles, supplied with hydroelectric power, and is still active in extending its lines throughout the rural sections.

established a minimum charge of \$1 per month with a sliding scale of rates from 15 cents to 8 cents per kilowatt hours of electricity. Where cooking devices are used a flat rate of 4 cents per kilowatt is charged with a minimum charge of \$2 per month. Where the farmer extends electricity to his barn for uses other than lighting, including power applications, the rate varies from 2½



Above: Linemen connecting a Schoharie valley farm in New York state with power line from a pole transformer. Below: The power line extends through the farm fields for many miles.

farmer," declared W. J. Fox, district manager for the company, when asked how the development had been undertaken. "Of course it will eventually be good business, but right now it is good will we want of the farmers."

For farm lighting, the company has

cents per kilowatt hour to 10 cents, according to the amount of electricity used.

One of the villages served, Cobleskill, is now practically 100 per cent electrified. There are but two or three houses which do not use electricity at least for lighting.

ROSWELL

THE MARKET OF
THE PECOS
VALLEY

The Pride
ROSWELL

Whatever You Need

WHY SEND YOUR MONEY AWAY

DUFFEY'S FOR MEN:

100 Suits Worth \$25, \$30, \$35, \$40 and \$45

While They Last—Going at \$19.75

DUFFEY'S

ROSWELL, NEW MEXICO

A Most Satisfactory Place to Trade---One of Roswell's Oldest DRUG STORES

Our service for the past fifteen years should be sufficient guarantee of the utmost in quality drugs and medicine and other drug store needs. Capable selling with service methods bound to satisfy the most exacting and presenting the utmost quality drugs at the lowest prices with every ability to please you best. In prescription work we are undoubtedly leaders due to exceedingly fine care, the exercise of thorough knowledge and ability in compounding.

Pecos Valley Drug Company

ROSWELL, NEW MEXICO

THE REXALL STORE

Rodden's
Studio
"NUF SED"

HAIR GOODS AND WORK, VEGETABLE
HAIR DYEING AND SPECIAL
TREATMENTS

Roswell Beauty Shop

MRS. CHAS. A. PORTER

Manicuring, Shampooing, Hair Dressing,
Facial Massage, Scalp Baths and
Marcelling and Permanent Waving
Marinello Toilet Articles
301 N. Main St.—ROSWELL—Phone 69

SERVICE WITH A SMILE

at Conley Filling Station, First and Main Street—and don't forget we have just opened one of the nicest grocery stores in Roswell, just two doors east of our Service Station where we will give the same service in our store as at our station.

Henry C. Conley, Proprietor

More Than Just a Clean Shirt

You get a shirt that is finished just right in every particular and you get a COLLAR that you need never be ashamed to wear.

Such results are impossible without special equipment such as we have. We INVITE YOU to visit our plant when in Roswell.

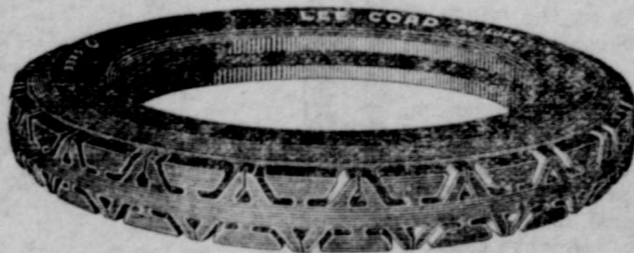
THE SOFT WATER LAUNDRY

Roswell Laundry Company

When in Roswell visit our furniture store—the largest and best
Furniture Store in the Pecos Valley.

YOUR CREDIT IS GOOD

Purdy Furniture Store



PHONE 489
SHOOK TIRE COMPANY
WHOLESALE AND RETAIL
116 West Second Street
ROSWELL, NEW MEXICO

Purity Creamery Co.

DEALERS IN

Milk, Cream, Gold Brick and
Sunbeam Butter, Buttermilk

Phone 116—Roswell, N. M.—202 E. 5th St.

WATCH THIS
SPACE NEXT
WEEK

White Lin

Roswell-Ala

Direct connections
with S. P. Trains
El Paso, Arizona
point
Office 106 South M



MALON

The Malone-C...
Main and Second...
progress and pros...
organized with R...
retary and mana...
1924. They emb...
from the first wa...
porated with a \$...

Their sales th...
erage of one car every...
the class and price of...
These gentlemen...
and Franklin distrib...
They have a sho...
station covering 60 by...
This plant has...
partments besides the...
Their motto is "It...
it must be a success.

Examination Free

Dr. C. E. A

CHIROPRA

Keep Sm

316 N. Richardson

Roswell the Uto...
flowers. Roswell the...
and happiness, and R...
was at home...
her thousands of adm...
be exaggerated, from...
the people tickled, it...
It was the best...
revelation to those of...
The exhibits can...
positive that Roswell...
One especially at...
need more people," and...
crous dry farm sectio...
quality, could be raise...
other to get here.

The farm produ...
reputation, for excell...
there are the best cat...
near an oil structure...
this possibility in consi...
Too much cannot...
last but not least here...
a stimulating climate,

Valley

MEXICO

ROSWELL

WHERE YOU
ARE ALWAYS
WELCOME

Bought in Roswell

MAIL ORDER HOUSES?

TIRES ACCESSORIES TUBES

LOWREY AUTO CO., Roswell

LOWREY-BAILEY AUTO CO., Artesia

CHEVROLET

Keep Your Money at Home

We endeavor to carry a complete line of Plumbing and Heating equipment in Artesia for your convenience and in addition you have a stock of thousands of dollars to draw from here in Roswell.

Roswell Plumbing & Heating Co.

Phone 57—128 East Third

Daniel Paint & Glass Co

Our Duco Plant for Repainting

Automobiles is now in
operation

Ask for Estimate and Delivery Dates

Little Hat Shop

The Latest in Millinery, Ready-to-Wear
Hosiery, Gloves and Silk Underwear
AT MONEY SAVING PRICES

MISS A. L. SCHRAM
ROSWELL, NEW MEXICO

WATCH THIS
SPACE NEXT
WEEK

PUMPS AND MOTORS

Complete line of AMERICAN Pumps and Pump Repairs in stock—also
a good stock of WAGNER ELECTRIC MOTORS.

ROSWELL PUMP CO.

110 EAST SECOND STREET

SILVER MOON CAFE

"The Place That's Different"

Clean Food, Clean Linens, White Help
WHEN IN ROSWELL EAT WITH US

AT BANKHEAD HOTEL

KIPLING'S

Where you will find what you
want in candy, lunches and
fountain service

Kipling's Confectionery, Inc.

SEE THE TOP SAVER

207 North Main St.—Phone 1102W

Welter Saddlery Co.

Harness, Saddles, Bits and Spurs
Auto Tops that are Right

ROSWELL, N. M.

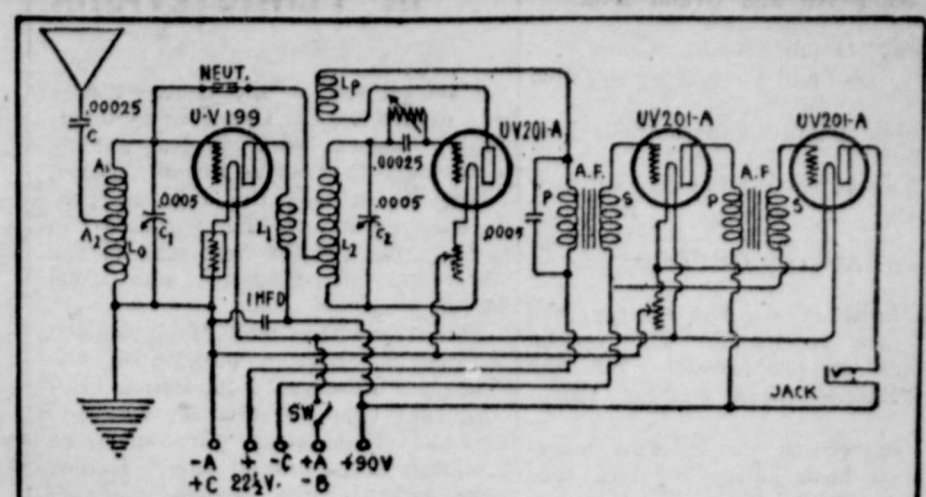
Sales and Service

"THIS IS A STUDEBAKER YEAR"

Malone-Coppedge Motor Co



RADIO



Circuit of Browning Drake Receiver. A Non-Radiating Four-Tube Set With Regeneration and Radio Frequency Amplification.

The radio public has been introduced to hundreds of receiving sets and circuits during the past year or two. Some of them have been new but most of them have employed old principles and ideas revamped to look like something different. In some cases the new arrangement of circuits have been improvements while in others nothing worth while has been accomplished other than to make slight changes in order to attach trade names to old circuits. It is the exception rather than the rule when a circuit is designed and given to the public that really has an advantage over older methods.

Manufacturers and designers for some time have been working toward the neutrodyne and away from the regenerative. This has been due to the fact that the neutrodyne is an exceptionally good radio frequency amplifier and the regenerative, of the popular type, has several objectionable features. The trend along this line was so great for a while that there was an organized effort made to condemn the regenerative set as a public nuisance. Time, however, has brought a reaction and the public has begun to realize that a good regenerative is hard to beat. Engineers likewise are almost ready to admit that a receiver does not amount to much unless it uses some form of regeneration.

Eliminates Radiation.
The Browning Drake receiver employs one stage of neutralized radio frequency amplification, detector and two stages of audio amplification. The stage of radio amplification strengthens the radio frequency signals before they get to the detector and permits very sharp tuning. The detector with regeneration gives all the advantages of the old regenerative without radiation, which is the worst of the defects of the old receivers of this type.

The circuit of the Browning Drake receiver is given in the accompanying drawing. The two main features of the receiver are the antenna tuning inductance and the radio frequency amplifying transformer that works into the detector tube. The latter is made of three inductances, the primary, secondary and tickler, and is called a regenerator to differentiate it from the ordinary transformer.

The antenna inductance L-0 consists of 50 turns of No. 20 double silk or cotton-covered wire wound on a three-inch tube. A tap is taken off at the center of this coil A-2 so that when the set is used with a long antenna it can be compensated for by using only half of the coil. When a short antenna is used it is attached to the top of the antenna inductance A-1. If neither of these connections are found to be appropriate for the antenna further vibrations in the circuit can be made by placing fixed condensers in series with the antenna. The regenerator consists of three windings. The secondary is made of 90 turns of No. 20 double cotton or silk-covered wire wound on a three-inch tube. The tube should be long enough to allow for the mounting of the tickler. One tap is taken off of the secondary coil. This is at the fourteenth turn counting from the end opposite the tickler, and is used for neutralizing the tube capacity. The primary L-1 consists of 24 turns of No. 30 D S or C C wire, wound jumble fashion in a slot one-half inch deep and one-eighth inch wide on the outside edge of a wooden disk that will fit snugly into one end of the tubing that supports the secondary winding. This coil should be placed at the low potential end of the secondary, the lead of which goes to the A battery.

The tickler is of the common type, 30 turns of No. 20 D S or C C wire wound on a tube two inches in diameter. This is mounted on a rod that passes through two holes in the tubing that holds the secondary coil. It is placed at the high potential end of the secondary the lead of which is connected to the grid condenser and leak.

Care in Mounting.
When mounting the antenna coil and regenerator care should be taken to place them at right angles to each other. This eliminates or reduces to a minimum coupling between the two circuits and prevents any feed back between them. In the standard parts made for this receiver the coils are mounted on the backs of the two variable condensers.

201-A or 199 tubes can be used. In the circuit shown a 199 tube is used as the radio frequency amplifier and 201-A's for the detector and audio amplifiers. The 199 is practically as good as a 201-A as a radio frequency amplifier and is somewhat more easily neutralized. The larger tubes give more volume than 199s when used as

detectors or audio amplifiers and for that reason are recommended in these positions in the Browning Drake four-tube receiver.

An amperite of the right value for a 199-tube is used in series with the filament of the first tube. A 30-ohm rheostat permits the control of the current to the filament of the second tube and a 20-ohm rheostat is connected in the negative filament lead to the two audio amplifiers. Two amperites can be used in place of the 20-ohm rheostat if one wishes to reduce the number of controls to a minimum.

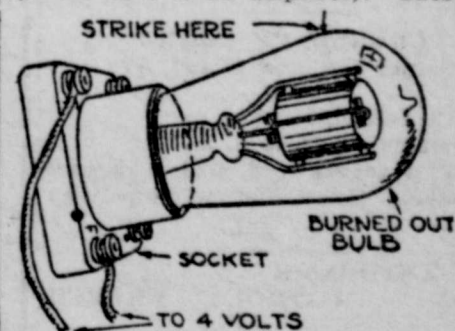
The values of the various condensers, the remainder of the instruments and the correct connections are shown plainly on the diagram.

Those who have built receivers of this type are very high in their praise of the efficiency of the circuit. The four tubes give a greater amount of amplification than is obtainable with a five-tube set having two stages of radio amplification. Regeneration in the detector of the Browning Drake set affords much greater amplification than one stage of straight radio frequency amplification. One tube has therefore been eliminated, and by the use of one 199 tube the current drain on the "A" battery has been reduced materially. This receiver will be of particular interest to those who have asked the question, "How can I add one stage of radio frequency amplification to my regenerative receiver?"—St. Louis Post-Dispatch.

Welding Tube Filament With Regular Current

No doubt all radiophans have experienced the bad luck of burning out a tube, usually just when an extra is not at hand. If you have patience and carefully follow these directions you can repair your burned-out tubes. The method of doing this is quite simple as can be seen in the illustration. The burned-out tube is placed in a socket and wires led to the filament binding posts, and these connected to the battery. About four volts is all that is required, and is often better than the usual six. The bulb is held in one hand, the other being used to strike the bulb as shown by the arrow in the illustration. The bulb should be held so that the plate is in the position shown. The bulb may require quite a lot of hitting before the broken filament will touch and weld. After the filaments touch the current will weld them together, but the tube will have to be handled with care so as not to jar them apart.

Bulbs repaired in this manner will give nearly as good results as new ones. They also make excellent detectors, sometimes being better than the ordinary detector tube, as they can use more current on the plate (if the tube is an amplifier). These



Bulb Should Be Held So Plate is in Position Shown.

bulbs require much less current than the ordinary tube with almost as good results.

The bulbs described are those of the older make (UV-200 and 201); however, the newer ones (UV-201) may be repaired in this way in many cases.—Radio Digest.

Hints That Will Be of Interest to Radio Fans

Copper foil makes the best fixed condenser.

Keep wires straight; a kink in a wire may cause it to break.

The clips and terminals of a battery should be cleaned once a week.

A small watch case voltmeter is a valuable accessory to any radio set.

A crystal receiver provides the simplest means of detecting radio signals.

Rubbing over a bakelite panel with an oil-soaked rag will make the surface look like new.

A fairly good loud speaker can be made by fitting a telephone receiver into an old phonograph horn.

Keep the grid leaks of an amplifier as short as possible. The shorter they are the less chance of howling.

The proper test for a battery should be made with a voltmeter after the set has been operating about 20 minutes.

AT THE CHURCHES

ST PAUL'S MISSION
Corner 7th and Grand Ave.

Sunday, October 18th.
Bible Class and Sunday school, 6:30 p. m.
Evening prayer and sermon, 7:30 p. m.

F. A. THOROLD ELLER,
Rector.

BAPTIST CHURCH

The fight is on, but so far, the "men" are victorious. The women are making preparations for the next "Battle" next Sunday morning.

We appreciate the interest manifested on both sides, but feel sure the men will win.

Our revival meeting begins Sunday morning at the eleven o'clock hour, with Rev. W. H. Johnson, pastor of the First Baptist church of Ranger, Texas, doing the preaching, and Rev. E. F. Woodruff, of Santa Rosa, leading the singing.

We are planning and praying for a great meeting and extend to all other churches a very cordial invitation to come and worship with us.

Rev. W. H. Johnson comes to us very highly recommended. He has done a great work at Ranger, having been pastor there more than five years.

Rev. Woodruff is an old time Gospel singer. I feel sure that all who come and attend these services will be blessed.

Sunday school, 9:45 a. m.
Preaching service at 11:00 a. m.
B. Y. P. U., 6:00 p. m.
Preaching, 7:00 p. m.

L. R. SIMMONS,
Pastor.

PRESBYTERIAN CHURCH

Corner Grand and Fourth Streets.
Rev. L. B. Jones, Pastor.

Sunday school at 9:45 a. m. V. L. Gates is general superintendent. We have classes for all ages, and an able corps of teachers. We welcome you, come and be with us.

Preaching services, 11:00 a. m. and 7:30 p. m.

Christian Endeavor at 6:30 p. m.
Mid-week prayer meeting, Wednesday, 7:30 p. m.

We invite you to attend all of our services. Come and let us worship the Lord together.

EPWORTH LEAGUE

Subject: "What is Expected of the Christian Citizen?"

Leader: Gladys Cowan.
Program

Song: "True-Hearted, Whole-Hearted."

Prayer.
Announcements.

Song: "March on O Epworth Leaguers."

Scripture Lesson: Mic. 6:8; Titus 3:1-8.

Scripture References with short comments.

Song: "Onward Christian Soldiers."

Talks:
"Christian Citizen."
"The Duties of Christian Citizenship."

1 Public Spirit—Vera Madge Eaton.

2 Law and Order—Paul Stroup.

3 The Christian and His Vote—Inez Jones.

Sentence prayers closed with the Lord's Prayer.

Violin Solo—Wilmar Ragsdale.

League Motto Song—"All for Christ."

League Benediction.

CHURCH OF CHRIST

Corner 5th and Grand Ave.

Bible School, 10:00 a. m.
Communion, 11:00 a. m.

All strangers will find a hearty welcome. Come and worship with us.

ST. ANTHONY'S CATHOLIC CHURCH

Corner Ninth and Missouri Sts.

Services the first and third Sunday of the month.

Masses: 7:30 a. m. (English sermon); 9:30 a. m. (Spanish sermon).

ASSEMBLY OF GOD

At the Gospel Tabernacle

Sunday school, 10:00 a. m.
Preaching, 11:00 a. m.

Young Peoples meeting, 6:45 p. m.
Preaching, 7:45 p. m.

Also preaching on Wednesday evening at 7:45.

J. M. REB,
Pastor.

CHURCH OF THE NAZARENE

You're strong and well—That's fine.

You hope to remain so—That's natural.

You may be disappointed—That's possible.

You will die—That's sure.

You better start to get ready—That's wisdom.

You want to start right—That's proper.

You don't know the way—Then attend

CHURCH OF THE NAZARENE
Eighth and Mo. St.,
L. M. MAY,
Pastor.

Advocate want ads get results.

FIRST OIL WELL IN U. S. WAS DRILLED IN PENNSYLVANIA

First oil well in the United States was drilled on Oil Creek in Pennsylvania, August 1859. It had a flow of 25 barrels a day. For ten years, Pennsylvania was the sole oil producing region of the world. The total output for the first year of the American oil industry was 2000 barrels.

"That first tiny well revolutionized the world," says a bulletin of the American Research Foundation. "Before that time, all oils for lubricating and illuminating purposes were produced from animal fats. Homes were lighted with candles.

"Petroleum was one of the big newspaper sensations of the day. Kerosene lamps came into use. Whaling ships came home from long voyages to find their oil market gone. Writers warned the public of the danger of getting 'stung.' A writer in a national magazine advised the public not to invest too heavily in these new-fangled kerosene lamps. 'This petroleum oil,' he said, 'is found only in four or five counties in western Pennsylvania and probably won't be found anywhere else. It will soon all be taken from the ground and the lamps will be worthless.'"

Now with Standard, Sinclair, Texas, Union, Gulf, and other great companies supplying world markets, with great oil fields in many parts of the country and with thousands of miles of buried pipe lines pumping oil to the great industrial centers, the American oil industry today represents one of history's most gigantic capital investments. The United States output of 2000 barrels in 1859 has grown to 2,200,000 barrels a day. American oil production in 1924 was 707,265,000 barrels. The time is not far distant when the daily production in the United States will reach 3,000,000 barrels daily with a total annual production of 1,000,000,000 barrels—Inland Oil Index.

X-RAY

Jim: "Ever see one of those machines that can tell when a person is lying?"
Fred: "Seen one? I married one."—Bethlehem (Pa.) Star Dust.

DR. O. E. PUCKETT

Office in Gilbert & Collins
Building
Phone 17



True Style Is Always INDIVIDUAL

—and that is why it is so important to have one's clothes made to his individual measurements.

For, while basically the modes may be similar, the true tailoring designer knows how to modify that mode to fit your own personality.

Because of this, we are exactingly careful to chart your manner as well as your measures when we take your order for a suit or overcoat to be

MADE TO MEASURE BY
KAHN
TAILORING CO.

And Kahn is equally careful to interpret the mode in terms of your own personality.

You'll like KAHN clothes because they are likened to you.

And we'd like to take your order now.

Ferriman & Son
ARTESIA, NEW MEXICO

Did You Say A New Fall Hat

Well, we certainly do have them for you. Over 100 to select from, and they are noby lookers.

HOW ABOUT THE PRICE

20% Off this Week

You'd better come early and avoid the rush, and look yours up.

Mize Variety Store

TELL US YOUR PRINTING TROUBLES—PHONE 7

SY'S HOME CAFE

Regular Meals, All You Want.....50c
Plate Lunch, Drinks Included.....35c
Short Orders at all Hours.....Prices Low

EVERYTHING NEW AND SANITARY—EVERYBODY WELCOME

KARPEN Furniture WEEK

October 15th to 25th Only

SEE THIS VALUE IN A THOUSAND



Arm Chair

Sofa, 81 inches
Karpen English Renaissance group. Carved mahogany, castilian finish; in taupe mohair with damask on tops of reversible cushions.

High Back Chair in damask

You could examine a thousand living room suites and not find one that rivals the beauty and value of this English Renaissance group by Karpen. You must see it to fully appreciate it. Study its fine lines. Run your hand over its silky mohair covering. Sink into its buoyant Karpenesque spring cushions, reversible with damask on their tops. Inspect its choice mahogany frames, castilian finish and hand carved.

At regular prices its value could

only be created through Karpen's tremendous production. Our striking reduction for Karpen Week only makes it irresistible.

This is only one of our many special offerings during this event. You will be interested in seeing all these new designs in Karpen furniture for living-rooms, sun-

rooms, halls and libraries. Plan an early visit while our displays are complete. Remember, Saturday, Oct. 24th is the last day.



Purdy Furniture Store

SPECIAL PRICES FOR ONE WEEK ONLY
ROSWELL HAGERMAN

Want Ads
 Classified ads for ten cents per line...
Maljan Main.
SALE
COMMERCIAL
OIL MEN
PAYMENT
FOR RENT
TRADE
WANTED
LOST

LOCALS

Mrs. Whittier, of Hope is visiting Mrs. Joe Richards.
 Mrs. Oldfield's mother, from Kansas is here visiting.
 Mr. M. L. Emmert leaves today for California to locate permanently.

Fred Cole and Ike Keller, of Artesia are among those attending court at Carlsbad this week.

Born to Mr. and Mrs. T. A. Ladray, Tuesday morning at the Artesia hospital, an eight pound girl.

The Walker family have made many friends during their two year stay in Artesia, who will regret to see them leave.

Mrs. McCabe and children, are expected from Denver tomorrow to join Dr. McCabe and make their future home in Artesia.

Misses Lula and Mae Wilson of the Cottonwood community and Mr. and Mrs. R. E. Horne of Carlsbad, were the guests of the M. C. Cole family Tuesday.

J. A. Basel and wife, of San Angelo, Texas, arrived last week for a few days visit with Mr. and Mrs. E. D. Wells, of the Cottonwood community.

Mrs. Rubye Morton passed through from Clovis, where she attend the M. E. Church South Conference. Rev. Douglas and Lancaster were also here a few hours.

Rev. and Mrs. J. H. Walker and son, Charles, will leave soon for their new home at Las Vegas, where Rev. Walker will be located as pastor of the Methodist church for the coming year.

FOR RENT
 FOR RENT—Front bed room, outside entrance, connecting bath, close. Phone 299 or inquire at Advocate office.

FARM FOR RENT—One hundred acres good land half mile from Dayton, N. M. Good artesian well, good six room house. Box 91, Dayton, N. Mex. 10-8-4tc

OFFICE TO RENT—Back of First National Bank. Gilbert & Collins. 10-15-3c

ROOM FOR RENT—Phone 22. 10-15-1tc

OFFICE FOR RENT—Apply at Standard Store. 10-15-tfc

BED ROOM FOR RENT—Close in, modern, for two. 704 South Rose Lawn. Phone 281. 10-15-1tp

Items of Social Interest In and Around Artesia

THURSDAY EVENING BRIDGE CLUB MEETS

The club, which was recently organized, held its third meeting at the home of Mr. and Mrs. Walter Ferriman last Thursday evening. The hostess served a delicious supper. The club consists of twelve members, who are Messrs. and Mesdames Landis Feather, Will Linell, John Lanning, Walter Ferriman, and Wallace Anderson and Mrs. Ferson and Mr. Baish. In addition to the regular members Mr. and Mrs. Earl Bigler and Mr. and Mrs. V. L. Gates were guests.

CLUB WOMEN AT SANTA FE

The State Federation of Women's Clubs was in session in Santa Fe the first three days of this week. An elaborate program was arranged and Santa Fe had planned to give the club women a good time. Artesia was represented at the meeting by Mrs. Jeff Hightower, vice president and acting president of this district, the third, Mrs. G. R. Brainard, president of the Artesia Woman's Club, and Mrs. F. G. Harrell and Mrs. Frank Wilson, delegates from this club and Mrs. H. A. Stroup, a department chairman.

EPWORTH LEAGUE PARTY

The Senior League of the Methodist church held a party in the Sunday school room last Friday evening. A large crowd was present and enjoyed the many lively games which furnished entertainment. Ice cream and cake were served.

P. T. A. MEETING

The regular meeting of the Parent-Teacher's Association will be held next Wednesday afternoon. The subject for discussion will be "Supervised Home Study of School Children."

MISS JACK WARD CELEBRATES BIRTHDAY

Little Miss Jack Ward celebrated her eleventh birthday Tuesday evening with a lawn party at the home of her parents, Mr. and Mrs. S. S. Ward. Nineteen guests were invited. After enjoying numerous games played on the lawn, light refreshments of ice cream and cake were served.

ENTERTAINS BRIDGE CLUB

Members of the Bridge Club were entertained this week at the home of Mrs. J. J. Clarke. Mrs. C. N.

Johnson, of Los Angeles, was a special guest of the occasion. Mrs. Beecher Rowan, Mrs. Wallace Anderson and Mrs. Frank Brooks substituted for absent members of the club. A lovely salad course was served as refreshments.

MRS. JOHN LANNING ENTERTAINS WITH RADIO AND BRIDGE TUES. EVE

Tuesday evening Mrs. John Lanning entertained a number of friends at her home, bridge and radio constituting the principal entertainment for the evening, after which light refreshments were served. Those present were the Misses Nelle Gray, Ealen Gage, Hazel Morris, Helen Wortman, Harriet Rose, Eula Bee Clayton and the hostess' sister, Miss Velma Smith.

Don't forget the Johnson-Woodruff revival begins at the Baptist church Sunday. 10-15-1tc

CARLSBAD GETS NEXT MEDICAL ASSOCIATION

The Pecos Valley Medical Association will hold their 1926 meeting in Carlsbad. This was decided Friday at the closing sessions of the association at Roswell. Physicians from Fort Sumner, Clovis, Carrizozo, Carlsbad and all intermediate points were in Roswell to attend the meeting. Dr. M. B. Culpepper was elected president of the association for next year and Dr. C. F. Beeson was elected secretary-treasurer. The meeting was one of the most successful ever held by this association.

Dr. F. N. Thies, who is now located at Golden, Colorado, left yesterday for his new home, after a short business trip to Artesia over last week. Dr. Thies states that he is living at one of Colorado's most scenic spots, only twelve miles out of Denver.

COTTON PRODUCTION IN NEW MEXICO

According to the report issued by the division of crop and livestock estimates, United States Department of Agriculture, the total cotton production for New Mexico, as placed on October 1st, is estimated at 60,000 bales. Total ginings to October 1st were 6,372 bales. The estimated production of 60,000 bales it will be interesting to note is 2,000 bales higher than the estimate on September 15th and 5,000 bales higher than the final estimate in 1924.

Woodstock typewriters for sale—Advocate Office.

The Home of
Corn Fed Beef

|||

The City Market

CONNER & CONNER, Props.
 Phone 37—Free Delivery

BUY What You Want, When You Want it at...

The Sanitary Grocery

WE FILL ORDERS COMPLETE

With each dollar purchase you get a ticket on the Kitchen Cabinet.

PROMPT DELIVERY—PHONE 97

The Boy Scout Movement of Eastern New Mexico

deserves Artesia's support, both financially and morally--We can not expect the movement to be a success unless we give it our unstinted support--Let's do our bit.

The Public Utility Engineering Co.
 Artesia, N. M.

member Willard Battery men

We're Selling Genuine Willard Batteries as low as **\$16⁵⁰**

13-Plate, Rubber Case
 Fits Ford, Chevrolet, Overland, Maxwell, Star, and others.

ARTESIA BATTERY CO.

member Willard Battery men

Trade in Your Tires for GOOD YEAR BALLOONS

Greater riding comfort. Safer driving. Less wear on your car and your nerves. They cost very little more than your present tires.

Lanning Service Station
 East of Track PHONE 179

We Recently Received

Practically as many pairs of shoes as it would take to shoe half of the people of the Artesia community—

1200 PAIRS IN ALL

This means that you can get a shoe to fit your foot. Our new shipment represents a wide range of styles

ROBERT JOHNSON RAND SHOES FOR THE WHOLE FAMILY

THE FLORSHEIM SHOE FOR THOSE WHO CARE

Peoples Mercantile Co.
 Dry Goods Department—Phone 75

LEGAL ADVERTISEMENTS

NOTICE OF THE HEARING OF THE EXECUTOR'S FINAL REPORT

In the Probate Court of Eddy County, New Mexico.

IN THE MATTER OF THE ESTATE OF WILLIAM W. MAJOR, Deceased.

Notice is hereby given that John S. Major, Executor of the Estate of William W. Major, Deceased, has presented to and filed in said Court his final report as such Executor; and that Monday, the 2nd day of November, 1925, at 10 o'clock A. M. of that day at the Court House in the Probate Court Room, Eddy County, New Mexico, has been fixed and appointed by the Court for the hearing of said report when and where any persons interested in said Estate or said report may appear and file his exceptions in writing to said report and contest same.

IN WITNESS WHEREOF, I have hereunto affixed my hand and official seal, on the 28th day of September, 1925.

(SEAL)
G. W. SHEPHERD,
Probate Clerk.
By L. M. Nelson, Deputy.

SALE OF MORTGAGED PROPERTY

Notice is hereby given that I, A. E. Whitehead, mortgagee in that certain Chattle Mortgage dated the 15th day of April, 1925 and made by W. J. Thomas of Artesia, Eddy County, New Mex. and covering the following personal property:

1-Majestic Range Stove, 1-40 gallon water heater, 1-Hessmann Refrigerator, 1-Open top Refrigerator, No. 126, 3-Dining Tables, 6-Dining Chairs, 10-Lunch Counter Stools, 1-Wash Rack with sink connected, 1-Lunch Counter 24 feet long, 1-Perfection Coffee Urn, 1-5 Gallon Water Cooler, 1-Hall Tree, 1-Back Counter 10 feet long, 1-Mirror, four by nine feet, 2-Back Counters 10 feet long each, 2-Signs, one of which is an electric sign, a certain lot of dishes used in the Cafe, Glidewell and located therein, have taken over the said property, under the terms of the said mortgage and the authority therein given, and that I will offer for sale and sell at public vendue the said property on Tuesday, Nov. 3rd, at 10 o'clock A. M. on said day at the North door of the J. F. Glidewell Cafe at No. East Main street in the town of Artesia, Eddy County, New Mexico, to the best and highest bidder for cash, under and by virtue of the terms of the said mortgage; that the object of the sale is to satisfy the payment of the note or indebtedness, the mortgage is given to secure to-wit: Bal. One note \$915.00, Interest \$47.18.

IN WITNESS WHEREOF, I hereunto set my hand and seal this the 7th day of October, 1925.
A. E. WHITEHEAD,
Mortgagee.

NOTICE OF APPOINTMENT

IN THE MATTER OF THE ESTATE OF HARRY JUSTICE, Deceased.

No. 513 on the Probate Docket, notice is hereby given that the undersigned was on the fifth day of May, 1925 appointed administrator of Harry Justice, deceased, by the Hon. D. G. Grantham, Probate Judge of Eddy County, New Mexico. Therefore all persons having claims against said estate are hereby notified to file the same with the Clerk of Eddy County, New Mexico within one year from the date of said appointment as provided by law or the same will be barred.

L. L. FEATHER
Administrator.

American to Make Study of Tailors' Guilds of Europe

EDGAR R. BORN, head of the Born Tailors Guild, recently established in Chicago to lift the tailoring trade to a higher plane of perfection and place it in the class of a profession, announced today that he had sent a special commissioner to Europe to study the organization and accomplishments of the English Guilds, after which the Chicago association of master tailors is being modeled. Mr. Born's representative is traveling incognito. He expects to spend several months in gathering the data which will be used in furthering the purposes of the American Guild, the first of its kind in the United States. Among the places the commissioner will visit in quest of facts are Reading, Worcester, London, Exeter, Beverly in England and Edinburgh, Scotland.

"We want our master tailors to re-assess their pride in perfection in workmanship and to study men's dress as a profession," said Mr. Born in announcing that he had dispatched a representative to Europe on a tour of investigation. "This should mean better-dressed men and more economy throughout the industry."

ROSWELL DEFEATS PORTALES

The Roswell high school football team defeated Portales high Friday afternoon by a score of 33-0. The game was played at Portales before a large crowd.

N. MEX. ALL TOGETHER

Kyle S. Crichton

The most interesting news from a New Mexico standpoint is the announcement from Washington by Elwood Mead, commissioner of the Bureau of Reclamation, that plans are now well under way to insure "without interruption" the irrigation development of the West. Mead denied reports that there has been needless delay in carrying out projects for which appropriations were made by the last congress.

It is well known that pressure of middle west farmer and eastern business had been brought to bear to restrict western reclamation projects upon the ground that there was already enough competition in grains and foodstuffs. It is a great boost for New Mexico to know that the reclamation program is to be carried out.

L. A. Rice is opening a new drug store in Albuquerque. The importance of this is in the fact that Mr. Rice last year sold out all of his New Mexico holdings and left for Florida where he intended to settle. His enthusiasm about New Mexico and its possibilities, after a few months sojourn in the country's latest boom state, is something worth writing about.

"All Florida has," says Mr. Rice, "is a four months tourists season. New Mexico has twelve. And while it is true that Florida real estate is booming it is purely a speculative issue. Right here in New Mexico there is more basic, honest development and building, of the permanent kind than I saw in any of the Florida towns. I'm for New Mexico."

The success of the new silver fox ranch on the El Paso-Roswell highway just this side of the Mesacero Apache Indian reservation will be watched with great interest. It is an investment of more than \$600,000 in foxes, buildings and equipment on the Ruidoso. This particular location is said to be most desirable for the growing and propagation of silver black foxes. The farm will start operations with 50 pairs of foxes and this number will be gradually increased to 300 pairs. The foxes cost an average of \$2,000 a pair and produce the pelts which go to make up the four of the most expensive kind.

Say a good word for New Mexico when you are writing to your friends in other sections of the country. Things are looking up. It's a great state and it's going to a great year.

LIQUOR HAUL AT DEMING

An unusually extensive haul of smuggled booze was made here Thursday when officers from the sheriff's office opened an empty refrigerator car on the S. P. tracks. Captured in the raid were twelve five-gallon cans of Mexican liquor of unknown quality of vintage, two bundles of marihuana and seven sample bottles of tequila, also two men who gave their names as James Brady and Rudolfo Melendez.—Deming Graphic.

Typewriter Ribbons for sale at the Advocate Office.

OLD IRONSIDES WEEK

OCT. 19TH TO 24TH

BOSTON, Mass., Oct. 13.—"Old Ironsides" will have a full hour on the air on the night of October 17th when Curtis D. Wilbur, secretary of the navy, broadcasting through WCAP Washington hooked up to WJR Providence, WEEL Boston, WOO Davenport, WCCO Minneapolis, and WASI Cincinnati, will tell of the deeds and adventures of this famous historic treasure and formally open the Benevolent and Protective Order of Elks' Campaign to raise \$500,000 to restore this old ship.

The programme will open at 8:45 and following the announcement a naval band will give a concert for fifteen minutes and then the secretary of the navy will come on the air. The naval band will follow with another concert and then Robert Hilliard, the well known actor, will recite Oliver Wendell Holmes' poem "Old Ironsides." The marine band will close the programme with a concert, concluding number being the "Star Spangled Banner."

In addition to this major programme, the Elks in every part of the country, through the courtesy of the National Broadcasters' Association, have arranged during "Old Ironsides Week," October 19th-24th, for Elk orators to be on the air every night and tell the story of this famous old ship and their effort to save her through the children of the nation. Hundreds of thousands of schools will stage patriotic exercises commemorative of the deeds and adventures of this old frigate and the early traditions of the American Navy.

RUBBER STAMPS
ONE DAY SERVICE
SIGNATURES REPRODUCED
AMARILLO RUBBER STAMP COMPANY
AMARILLO, TEXAS

PHONE 108-F-11
Finley's Dairy
Sweet Milk and Cream
It's Really Good
TWO DELIVERIES DAILY

Makes Night Driving SAFE

The Controllable Beam on the Better Buick
Night driving strain, the blind insecurity when you dim to keep glare out of the eyes of an approaching driver—both have been eliminated by the Controllable Beam Headlight, a feature of the Better Buick.
Daytime visibility every inch of the way! Bright light all the time! A simple control on the steering wheel lowers the beam when you near another car.
And this is only one of many 1926 improvements which Buick engineering has given to the Better Buick. 75 horsepower and more; Duotone in Duco finish; Triple Sealed Valve-in-Head engine; light-pedal pressure clutch; approved mechanical 4-wheel brakes; and many other exclusive advancements now make the Better Buick the better car to own and drive.
BUICK MOTOR CO., FLINT, MICH.
Division of General Motors Corporation

the Better BUICK

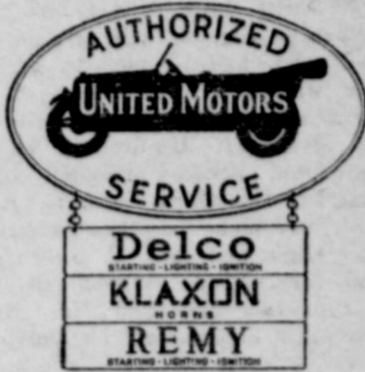
R. L. PARIS
ARTESIA, N. M.

'BEAR' OF A STORY FROM ALAMOGORDO

ALAMOGORDO, N. M.—According to a bear story which comes in from the Oliver Lee ranch it is hard to tell whether Manual Garcia, one of the cowboys, caught the bear or whether the bear caught Manual. Witnesses testify that Manual made more fuss than the bear at least.

Manual says that he saw the bear and thought it would be a good joke to rope it, so true to his profession the first throw dropped the noose over the bear's head. The bear and the horse decided to leave there at the same time but in opposite directions. It was an interesting time for several minutes and they say that honors were about even as to which would take the other into camp. The cowboy finally got a knife from his pocket and cut the rope. Bruin and the rope have not been heard from since.

See our samples of Engraving—Artesia Advocate.



If the Electrical equipment on your car gives trouble go to

Dr. Loucks Garage

Factory equipment for the testing and repair of Electrical apparatus.

If Someone Paid You **\$33,000**

to attend high school for four years or \$72,000 to attend college for four years

WOULD YOU REFUSE?

Statistics indicate that a high school education adds \$33,000 to the average students earning power—

—and that college adds another \$72,000.

You can afford NOT to get the best possible education?

MAKE OUR BANK YOUR BANK

THE FIRST NATIONAL BANK
"THERE IS NO SUBSTITUTE FOR SAFETY"

First Class Shining
Midway Shining Parlor
North Side Main Street

ARTESIA ADVOCATE

WANT ADS GET RESULTS—TRY ONE

Firestone

Safety and Mileage For All Roads and Seasons

OPERATORS of large truck, bus and cab fleets must have rugged, long-mileage tires if they are to make money. That is why so many of them have standardized on Firestone. Experienced race drivers, almost to a man, equip with Firestone. Car owners can have this same extra safety and economy—by using Gum-Dipped Cords.

Gum-Dipping, the Firestone extra process, impregnates and insulates every fiber of every cord with rubber—insures greater safety and comfort over rough and sandy roads—builds extra strength and flexibility into the sidewalls—an exclusive feature that adds thousands of miles to the life of a tire.

Come in—let us save you money by equipping your car with a set of these wonderful tires—prices are still low.

MOST MILES PER DOLLAR

Real Service Station
West Main Street Phone 9

AMERICANS SHOULD PRODUCE THEIR OWN RUBBER

MEETINGS OF THE CHAMBER OF COMMERCE...
 PERSONAL CARDS
 Attorney-at-Law
 Public
 State National Bank
 Rooms 1, 2 and 3
 Attorney
 Public
 Artesia, N. M.
 L. HINSHAW
 Path
 Others by Appointment.
 Phone 75
 Four Blocks South on
 Highway.
 New Mexico
 Dentist
 Clarke Building
 Artesia, N. M.
 Hoover, M. D.
 and Surgeon
 412 a. m.—2-5 p. m.
 Clark Building
 Phone 175
 WESTFALL
 Dentist
 Ferriman's Store
 COLLINS
 Insurance, Bonds
 Insurance
 LEASES, OIL AND
 PERMITS
 H & HEFLIN
 New Mexico
 AND BUILDERS
 and Estimates
 Furnished
 LESSONS
 and Advanced
 Students
 Viola Repairing
 Rehearsed
 W. TRACY
 THEATRE
 DIRECTORY
 LODGE
 Evening
 Artesia, N. M.
 Watch this paper
 for special meet-
 ings, etc.
 HOUSE
 SHOP
 good service
 Cuts given special
 attention.
 in Connection
 arth Medicine
 a "run-down" condi-
 tion. Catarrh bothers them
 when they are in good
 health. It proves that while
 disease, it is greatly
 conditional conditions.
 MEDICINE is a
 great, both local and in-
 ternational, for over forty years.
 Co., Toledo, Ohio.
 THAT FIT"
 WARD STONE
 WILSON
 ENGINEER
 NEW MEXICO
 Office in
 New Mexico
 SURVEYS
 MAPS
 LOGS
 paid to post-
 Permits and Oil
 Surveys

IN MARITAL TANGLE



Mrs. Marle W. Calhoun, who divorced the late D. R. Calhoun, a wealthy St. Louis resident and society leader, says that she is married to Luigi Signorni—but according to the Italian authorities she is not, for a civil marriage was not performed, and in any event it could not be performed in Italy until ten months after the death of her former husband, who died last February. The couple is living in Rome.

Ostrich Skins Now Used for Apparel

The ostrich stuck his head in the sand once too often, for, while he was trying to see China first, some enterprising person came along and made a discovery that puts a premium on this big bird's life. And the result is an entirely new product on the market according to the Born Tailors' Guild.

This is ostrich skin which is being utilized more and more. The chief purpose of an ostrich farm is of course the plumes which are first plucked, or rather cut, from the bird at six or seven months of age and at seven-month periods thereafter. They live to a ripe old age, eighty years being no uncommon figure. They have to die eventually, though, and when they do their skins yield an additional profit to the breeder.

The skins are shipped from South Africa, preserved and packed in lots. They are sent to Devonshire, England, where the flaccid, greasy mass of skins is thoroughly washed, quilled, scudded and tanned. Later they are dyed and finished and the result is a strong pliable leather which will wear for years. It is quite different from the skins of animals and has a most unusual and attractive grain. Its chief uses so far are for handbags, traveling cases and dress shoes.

Plumes, though not much in vogue, are still used for hats, neckpieces and the dress-parade costumes of the Knights Templar, and according to the Guild the popularity of the skin may lead to raising ostriches for this industry as well.

Important Things to Remember in Soldering

When soldering connecting wires to the terminals of jacks for making connections to the telephones, it is important to keep soldering flux from running down on the insulating segments which separate the different spring contacts. If the flux runs down into the insulating segments it causes leakage, and it is to this that many experimenters owe the trouble they have with their homemade sets. Use only enough flux for the solder to take hold. A thin film is enough. Another point to remember is to be sure that the contacts make and break properly when the wiring of the set is completed. Sometimes they get bent out of position slightly and do not touch properly; it may never be discovered and the new set may never work right.

THAT'S THAT.



He—Where would you prefer to live—city or country?
 She—Why-er-er whichever you like best.

SCHOOL DAYS

"I had to be away from school yesterday," said Tommy.
 "You must bring an excuse," said the teacher.
 "Who from?"
 "Your father."
 "He ain't no good at makin' excuses. Ma catches him every time.—Cleveland Rotary Reminder.

Advocate want ads get results.

LOCALS

Judge J. W. Dauron, of Lakewood was a visitor in Artesia Tuesday.

Prof. J. T. Reid attended the Cotton Carnival at Roswell Saturday.

J. P. Bates is a new addition to the office force of the Alfalfa Association.

D. Lambert, superintendent of the Hope school, was transacting business in Artesia Saturday.

Mrs. Beecher Rowan and daughter, Miss Maxine, were visitors to the Cotton Carnival last Friday.

G. W. O'Bannon, of the Cottonwood community was here Tuesday attending to business matters.

Mr. and Mrs. Albert Richards were in Roswell last week visiting friends and attending the carnival.

Glenn Rogers, who had been working in Artesia a short time, returned to his home at Alamogordo, Monday.

J. P. Brownlie spent Sunday with his father and sister, returning to his work in Artesia Monday morning.—Hope Press.

Mrs. H. M. Strong left for her home at Texas City, Texas, Monday morning after a four weeks' visit with her sister, Mrs. L. R. Simmons.

Miss Edith Clement, county health nurse, was in Roswell Saturday to meet Miss Anderson, state health officer, in charge of all the county nurses.

Mrs. J. J. Clarke, Mrs. George Welton, Mrs. Murphy and Miss Katherine Walterscheid took in the Cotton Carnival at Roswell last Friday.

The First National Bank has on display several maize heads as large and fine as can be found any where. They were grown by Mr. Reno, who lives east of Lake Arthur.

The Alfalfa Association has recently converted the up stairs room over the office into a modern sample room, which will have all of the convenient features for classing cotton.

WYOMING HAS WORLD'S HIGHEST BEACON LIGHT

The 5,000,000-candlepower beacon light, on top of Sherman Hill, in Wyoming, 8,600 feet above sea level, which serves as a guide to air-mail pilots on their night flights, is said to be the highest beacon light in the world.

Woodstock typewriters for sale—Advocate Office.

SCHUMAN-HEINK SUPPER

If ever there was a woman who knew all that there was to be known of the art of singing to the public, that woman is Ernestine Schuman Heink. She understands how to interpret any and all songs with such comprehension of the time and place as makes them seem the inevitable and spontaneous expression of the feeling of the moment. And as for her success with the public—one needs but glance about the hall with every possible nook filled from the stage to the top gallery, and to hear the applause after any one song.

Mrs. Schuman Heink is in remarkable trim during this tour, and the way in which she has preserved her voice is marvelous. With many a distinguished singer, who at least by public report, has seen fewer years go by, one is conscious of the tricks by which the weak spots are more or less successfully veiled, and one expresses admiration at the skill displayed or regret over the necessity as the case may be. But with Mme. Schuman Heink there is no such need. She can hold out the long phrase with the solidly sustained tone, take a high note pianissimo, or run and trill neatly and clearly as any famous coloratur soprano. As for her breath control—it is simply marvelous!

Madame Schuman Heink, unquestionably the greatest singer of the age, will appear in concert at Roswell October 29, 1925.

EMERGENCY

There was a young lady named Poppy Who warbled, "I want to be happy." The rhyme, we agree, Isn't all it might be, But this week we're a bit short of copy.—Pittsburg (Kans.) Rotagraph.

Woodstock typewriters for sale—Advocate Office.

RHEUMATISM

The powerful, healing warmth of Hunt's Lightning Oil gives instant and positive relief from throbbing, nerve-racking pains of Rheumatism, Neuralgia, Headache, etc. See the bottle.

MANN DRUG CO., ARTESIA, N. M.

If you want quick service and good work on all kinds of cleaning and pressing or alteration work we can do it. WE KEEP THE SMELL. We have a man that understands the business. ALL WORK GUARANTEED. McCaw's Tailor Shop. Phone 61.

Good Groceries? We've Got 'em

FRESH CAR GREAT WEST FLOUR AND CORN MEAL JUST RECEIVED

Welton's Grocery

SILVER MOON

BEST MUSIC AND BEST FLOOR IN NEW MEXICO

Dancing

Tuesday, Thursday and Saturday

This dance is under police protection and the management guarantees order. Your wives and daughters will be respected at all times in this pavilion.

EVERYBODY COME AND HAVE A GOOD TIME

A. C. Crozier
Oil Leases Royalties

REAR CITIZENS STATE BANK

NOW is the time to lay in a supply of

Winter Coal

You can take advantage of car load prices by buying now.

E. B. BULLOCK

A. H. LEE THE HOME BUILDER

Specializing in Adobe Houses and California Stucco Homes

PLANS AND ESTIMATES FREE

Office in Jackson Building OPPOSITE POST OFFICE

Telephone 184

WELL DRILLERS and FARMERS

HEADQUARTERS FOR GOOD

BLACKSMITHING

HORSESHOEING AND WOODWORK

ALL WORK CASH

OHNEMUS & SON

At Richard's Blacksmith Shop

We Are Ready For

BUSINESS and can give you 24-hour SERVICE on building materials. We specialize on rig timbers and builders hardware. We are jobbers for this territory for Certainteed Roofing.

Roberts & Olver

Auto Repairs AND SUPPLIES

Fisk Red Top Tires

United States Royal Cords

Oxy-Acetylene Welding

Machine Work of All Kinds

Pecos Valley Garage and Machine Shop

TELEPHONE 35

